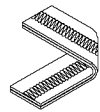
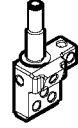
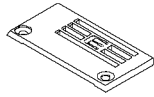
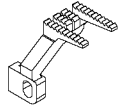
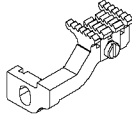
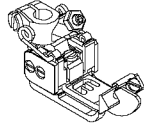
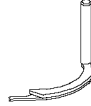


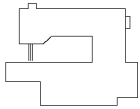
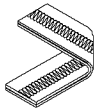
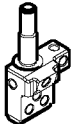
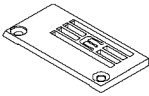
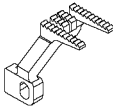
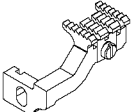
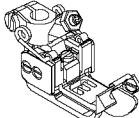

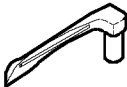

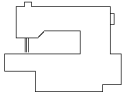
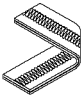
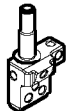
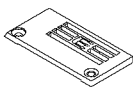
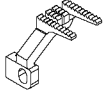
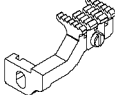
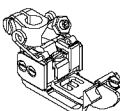

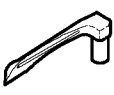




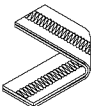
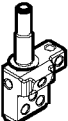
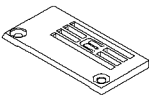
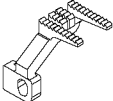
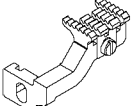
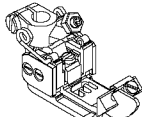

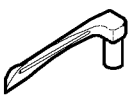

SIRUBA GAGE PARTS LIST		Series			Remark					Page	Date	
		C007K / C858K								1/6	2012/12/25	
												
MODEL		SUB-CLASS	NEEDLE CLAMP	NEEDLE PLATE	MAIN FEED DOG	DIFF. FEED DOG	PRESSER FOOT	SPREADER	LOOPER	NEEDLE		
機 型		規 格	針 座	針 板	主 送 具	差 送 具	押 具	上 叉	勾 針	針 號		
C007K C858K	W121/CH			E5232KL E5240KL E5248KL E5348KL E5356KL E5364KL	D5356K	H5356K-E	P5232K-A P5240K-A P5248K-A P5348K-A P5356K-A P5364K-A	MH41	From the library of: Diamond Needle Corp MT01	UYX128GAS#10		
	W122/CH	232 240 248 348 356 364	M5232 M5240 M5248 M5348 M5356 M5364	E5232KM E5240KM E5248KM E5348KM E5356KM E5364KM								
	W122/CH/UTS											
	W122/CH-3M	356 364	M5356 M5364	E5356KM E5364KM								
	W123/CH	232 240 248 348 356 364	M5232 M5240 M5248 M5348 M5356 M5364	E5232KH E5240KH E5248KH E5348KH E5356KH E5364KH								
	W152/CZ/UTP/RLQ											
	W152/CZP/RLQ	356 364	M5356 M5364	E5356GM E5364GM			D5356G				H5356L	P2416-A P2417-A

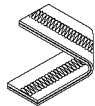
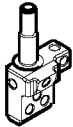
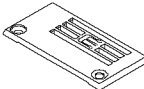
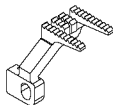
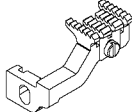
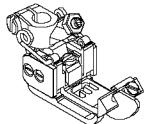



SIRUBA MODEL COMPARE LIST		Series				Remark				Page	Date
		C007K / C858K								2/6	2012/12/25
											
MODEL		SUB-CLASS	NEEDLE CLAMP	NEEDLE PLATE	MAIN FEED DOG	DIFF. FEED DOG	PRESSER FOOT	SPREADER	LOOPER	NEEDLE	
機 型		規 格	針 座	針 板	主 送 具	差 送 具	押 具	上 叉	勾 針	針 號	
C007K C858K	W162	240 248 348 356 364	M5240 M5248 M5348 M5356 M5364	E5240KHA E5248KHA E5348KHA E5356KHA E5364KHA	D5356K	H5356K-E	P5240K-A P5248K-A P5348K-A P5356K-A P5364K-A	MH41	MT01A	TV*5#14~16	
	W222/CQ	240 248 356 364	M5240 M5248 M5356 M5364	E5240GM E5248GM E5356GM E5364GM	D5356G	H5356G	P1814K-A P1815K-A P2116K-A P2117K-A	MH41	MT01	UYX128GAS#10	
	W222/CQA/CLA	256 356	M5356	E2326Q	D21110	H2220Q	P2906Q-A	MH41	MT01A	TVX5#14	
	W322/CC	356 364	M5356 M5364	E5356AM E5364AM	D5356K	H5356A	P2456-A P2457-A	MH41	MT01	UYX128GAS#10	
	W322/CE			E5356BM E5364BM		H5356B					
	W512/FE(FFC)	232 240 356 364	M5232 M5240 M5356 M5364	E5232FM E5240FM E5356FM E5364FM	D5356K	H5356K-E	P2913-A P2914-A P3216-A P3217-A	—	MT01	UYX128GAS#10	
	U512/FE(FFC)	240 356 364	M5240 M5356 M5364	E5240FM E5356FM E5364FM			P3414-A P3716-A P3717-A				

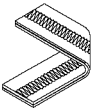
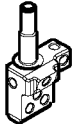
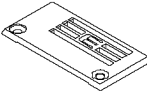
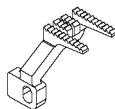
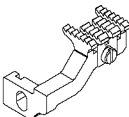
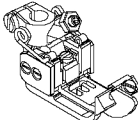



From the library of Diamond Needle Co., Ltd.

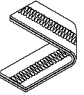
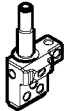
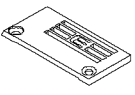
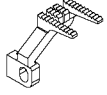
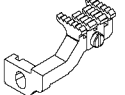
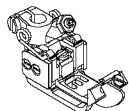
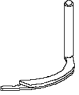


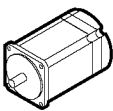
SIRUBA GAGE PARTS LIST		Series				Remark				Page	Date
		C007K / C858K								3 / 6	2012/12/25
											
MODEL		SUB-CLASS	NEEDLE CLAMP	NEEDLE PLATE	MAIN FEED DOG	DIFF. FEED DOG	PRESSER FOOT	SPREADER	LOOPER	NEEDLE	
機 型		規 格	針 座	針 板	主 送 具	差 送 具	押 具	上 叉	勾 針	針 號	
C007K C858K	W522/FE(FFC)/CR	232 240 248 348 356 364	M5232 M5240 M5248 M5348 M5356 M5364	E5232CH E5240CH E5232CH E5348CH E5356CH E5364CH	D5356C	H5356C	P3813R-A1 P5240C-A1 P5248C-A1 P5348C-A1 P3816R-A1 P3817R-A1	MH41	MT01	UYX128GAS#10	
	W522/CR						P3813R-A P5240C-A P5248C-A P5348C-A P3816R-A P3817R-A				
	W532/CR/UTP/CL/RLP/CX										
	W542/CFC/CL/FH/2(3A)	240 248 356 364	M5240 M5248 M5356 M5364	E2324P E2325P E2326P E2327P	D2109 D2110	H2219 H2220	P2904-A P2905-A P2906-A P2907-A				
		W811/CRL	232 240 248 356 364	M5232 M5240 M5248 M5356 M5364	E5232HL E5240HL E5248HL E5356HL E5364HL	D5356H	H5356H				P2763-A P2764-A P2765-A P2766-A P2767-A
	U811/CRL										P0963-A P0964-A P0965-A P0966-A P0967-A

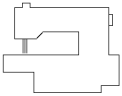
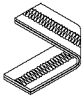
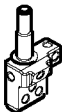
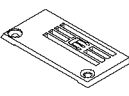
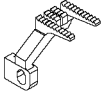
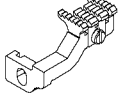
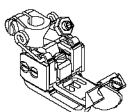



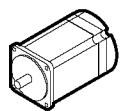
From the library of: Diamond Needle Corp

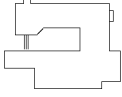
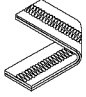
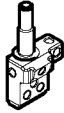
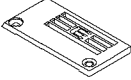
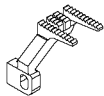
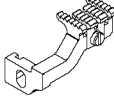
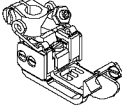
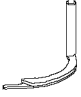


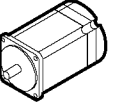
SIRUBA MODEL COMPARE LIST		Series				Remark				Page	Date
		C007K / C858K				W812 /W813 : 4rof teeth W812A/W813A : 5rof teeth				4/6	2012/12/25
											
MODEL		SUB-CLASS	NEEDLE CLAMP	NEEDLE PLATE	MAIN FEED DOG	DIFF. FEED DOG	PRESSER FOOT	SPREADER	LOOPER	NEEDLE	
機 型		規 格	針 座	針 板	主送具	差送具	押 具	上 叉	勾 針	針 號	
C007K C858K	W811A/CRL	232 240 248 356 364	M5232 M5240 M5248 M5356 M5364	E5232JL E5240JL E5248JL E5356JL E5364JL	D5356H	H5356J	P2763-A P2764-A P2765-A P2766-A P2767-A	MH41	MT01 From the library of: Diamond Needle Corp	UYX128GAS#10	
	U811A/CRL						P0963-A P0964-A P0965-A P0966-A P0967-A	—			
	W812/CRL			P2763-A P2764-A P2765-A P2766-A P2767-A		MH41					
	U812/CRL			P0963-A P0964-A P0965-A P0966-A P0967-A		—					
	W812A/CRL			E5232JM E5240JM E5248JM E5356JM E5364JM		H5356J	P2763-A P2764-A P2765-A P2766-A P2767-A	MH41			

SIRUBA MODEL COMPARE LIST		Series				Remark				Page	Date
		C007K / C858K				W812 /W813 : 4rof teeth W812A/W813A : 5rof teeth				5/6	2012/12/25
											
MODEL		SUB-CLASS	NEEDLE CLAMP	NEEDLE PLATE	MAIN FEED DOG	DIFF. FEED DOG	PRESSER FOOT	SPREADER	LOOPER	NEEDLE	
機 型		規 格	針 座	針 板	主 送 具	差 送 具	押 具	上 叉	勾 針	針 號	
C007K C858K	U812A/CRL	232 240 248 356 364	M5232 M5240 M5248 M5356 M5364	E5232JM E5240JM E5248JM E5356JM E5364JM	D5356H	H5356J	P0963-A P0964-A P0965-A P0966-A P0967-A	—	From the library of: Diamond Needle Co., Ltd. MT01	UYX128GAS#10	
	W813/CRL			E5232HH E5240HH E5248HH E5356HH E5364HH		H5356H	P2763-A P2764-A P2765-A P2766-A P2767-A	MH41			
	U813/CRL			E5232JH E5240JH E5248JH E5356JH E5364JH		H5356J	P0963-A P0964-A P0965-A P0966-A P0967-A	—			
	W813A/CRL			E5232HL E5240HL E5248HL E5356HL E5364HL		H5356H	P2763-A P2764-A P2765-A P2766-A P2767-A	MH41			
	W821/CRL/CHP/UTP/CL/RL										

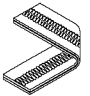
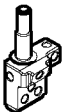
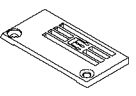
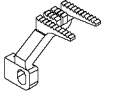
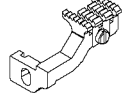
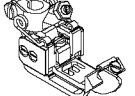



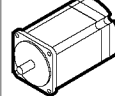
SiRUBA GAGE PARTS LIST		Series				Remark				Page	Date
		C007K / C858K								6/6	2012/12/25
											
MODEL		SUB-CLASS	NEEDLE CLAMP	NEEDLE PLATE	MAIN FEED DOG	DIFF. FEED DOG	PRESSER FOOT	SPREADER	LOOPER	NEEDLE	
機 型		規 格	針 座	針 板	主 送 具	差 送 具	押 具	上 叉	勾 針	針 號	
C007K C858K	U821/CRL/CHP/UTP/CL/RL	232 240 248 356 364	M5232 M5240 M5248 M5356 M5364	E5232HL E5240HL E5248HL E5356HL E5364HL	D5356H	H5356H	P0963-A P0964-A P0965-A P0966-A P0967-A	—	From the library of: Diamond Needle Corp MT01	UYX128GAS#10	
	W822/CRL/CHP/UTP/CL/RL			E5232HM E5240HM E5248HM E5356HM E5364HM			P2763-A P2764-A P2765-A P2766-A P2767-A	MH41			
	U822/CRL/CHP/UTP/CL/RL			E5232HH E5240HH E5248HH E5356HH E5364HH			P0963-A P0964-A P0965-A P0966-A P0967-A	—			
	W823/CRL/CHP/UTP/CL/RL			E5232HH E5240HH E5248HH E5356HH E5364HH			P2763-A P2764-A P2765-A P2766-A P2767-A	MH41			
	U823/CRL/CHP/UTP/CL/RL			E5232HH E5240HH E5248HH E5356HH E5364HH			P0963-A P0964-A P0965-A P0966-A P0967-A	—			
	W922/CW			456 464			M5456K M5464K	E5456KM E5464KM			D5456K

SIRUBA GAGE PARTS LIST		Series					Remark				Page	Date
		C007KD / C858KD									1/5	2012/12/26
												
MODEL		SUB-CLASS	NEEDLE CLAMP	NEEDLE PLATE	MAIN FEED DOG	DIFF. FEED DOG	PRESSER FOOT	SPREADER	LOOPER	NEEDLE	Motor	
機 型		規 格	針 座	針 板	主 送 具	差 送 具	押 具	上 叉	勾 針	針 號	馬 達	
C007KD C858KD	W121/CH	232 240 248 348 356 364	M5232 M5240 M5248 M5348 M5356 M5364	E5232KL E5240KL E5248KL E5348KL E5356KL E5364KL	D5356K	H5356K-E	P5232K-A P5240K-A P5248K-A P5348K-A P5356K-A P5364K-A	MH41	MT01	From the library of: Diamond Needle Corp UTX128GAS#10	T501HE	
	W122/CH			E5232KM E5240KM E5248KM E5348KM E5356KM E5364KM								
	W122/CH/UTS			E5232KH E5240KH E5248KH E5348KH E5356KH E5364KH								
	W123/CH			E5232KH E5240KH E5248KH E5348KH E5356KH E5364KH								
	W152/CZ/UTP/RLQ	356 364	M5356 M5364	E5356GM E5364GM	D5356G	H5356L	P2416-A P2417-A					
	W152/CZP/RLQ											
	W162	240 248 348 356 364	M5240 M5248 M5348 M5356 M5364	E5240KHA E5248KHA E5348KHA E5356KHA E5364KHA	D5356K	H5356K-E	P5240K-A P5248K-A P5348K-A P5356K-A P5364K-A					MT01A

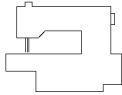
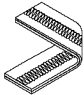
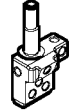
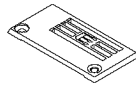
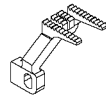
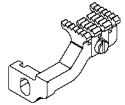
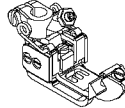


SIRUBA MODEL COMPARE LIST		Series					Remark			Page	Date	
		C007KD / C858KD								2/5	2012/12/26	
												
MODEL		SUB-CLASS	NEEDLE CLAMP	NEEDLE PLATE	MAIN FEED DOG	DIFF. FEED DOG	PRESSER FOOT	SPREADER	LOOPER	NEEDLE	Motor	
機 型		規 格	針 座	針 板	主 送 具	差 送 具	押 具	上 叉	勾 針	針 號	馬 達	
C007KD C858KD	W222/CQ	240 248 356 364	M5240 M5248 M5356 M5364	E5240GM E5248GM E5356GM E5364GM	D5356G	H5356G	P1814K-A P1815K-A P2116K-A P2117K-A	MH41	MT01	YX128GAS#10	T501HE	
	W222/CQA/CLA	256 356	M5356	E2326Q	D21110	H2220Q	P2906Q-A		MT01A	TVX5#14		
	W322/CC	356 364	M5356	E5356AM E5364AM	D5356K	H5356A	P2456-A P2457-A		From the library of: Diamond Needle Corp			
	W322/CE		M5364	E5356BM E5364BM		H5356B						
	W522/CR	232 240 248 348 356 364	M5232 M5240 M5248 M5348 M5356 M5364	E5232CH E5240CH E5248CH E5348CH E5356CH E5364CH	D5356C	H5356C	P3813R-A P5240C-A P5248C-A P5348C-A P3816R-A P3817R-A			MT01		UYX128GAS#10
	W532/CR/UTP/CL/RLP/CX	232 240 248 348 356 364	M5232 M5240 M5248 M5348 M5356 M5364	E5232CH E5240CH E5232CH E5348CH E5356CH E5364CH								
	W811/CRL	232 240 248 356 364	M5232 M5240 M5248 M5356 M5364	E5232HL E5240HL E5248HL E5356HL E5364HL	D5356H	H5356H	P2763-A P2764-A P2765-A P2766-A P2767-A					

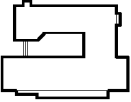
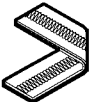

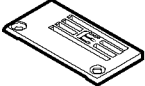
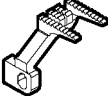
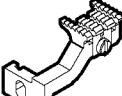

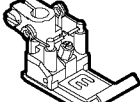



SIRUBA GAGE PARTS LIST		Series				Remark				Page	Date
		C007KD / C858KD				W812 /W813 : 4rof teeth W812A/W813A : 5rof teeth				3 / 5	2012/12/26
											
MODEL		SUB-CLASS	NEEDLE CLAMP	NEEDLE PLATE	MAIN FEED DOG	DIFF. FEED DOG	PRESSER FOOT	SPREADER	LOOPER	NEEDLE	Motor
機 型		規 格	針 座	針 板	主 送 具	差 送 具	押 具	上 叉	勾 針	針 號	馬 達
C007KD C858KD	U811/CRL	232 240 248 356 364	M5232 M5240 M5248 M5356 M5364	E5232HL E5240HL E5248HL E5356HL E5364HL	D5356H	H5356H	P0963-A P0964-A P0965-A P0966-A P0967-A	—	MT01	UYX128GAS#10	H T501HE
	W811A/CRL			E5232JL E5240JL E5248JL E5356JL E5364JL		H5356J	P2763-A P2764-A P2765-A P2766-A P2767-A	MH41			
	U811A/CRL			E5232HM E5240HM E5248HM E5356HM E5364HM		H5356H	P0963-A P0964-A P0965-A P0966-A P0967-A	—			
	W812/CRL			E5232JM E5240JM E5248JM E5356JM E5364JM		H5356J	P2763-A P2764-A P2765-A P2766-A P2767-A	MH41			
	U812/CRL										
	W812A/CRL										

From the library of: Diamond Needle Corp

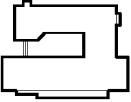
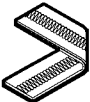

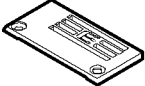
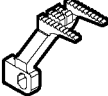
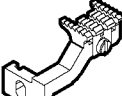

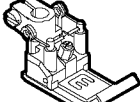



SIRUBA MODEL COMPARE LIST		Series				Remark				Page	Date
		C007KD / C858KD				W812 /W813 : 4rof teeth W812A/W813A : 5rof teeth				4/5	2012/12/26
											
MODEL		SUB-CLASS	NEEDLE CLAMP	NEEDLE PLATE	MAIN FEED DOG	DIFF. FEED DOG	PRESSER FOOT	SPREADER	LOOPER	NEEDLE	Motor
機 型		規 格	針 座	針 板	主 送 具	差 送 具	押 具	上 叉	勾 針	針 號	馬 達
C007KD C858KD	U812A/CRL	232 240 248 356 364	M5232 M5240 M5248 M5356 M5364	E5232JM E5240JM E5248JM E5356JM E5364JM	D5356H	H5356J	P0963-A P0964-A P0965-A P0966-A P0967-A	—	MT01	UYX12&GAS#10	T501HE
	W813/CRL			E5232HH E5240HH E5248HH E5356HH E5364HH		H5356H	P2763-A P2764-A P2765-A P2766-A P2767-A	MH41			
	U813/CRL			E5232JH E5240JH E5248JH E5356JH E5364JH		H5356J	P0963-A P0964-A P0965-A P0966-A P0967-A	—			
	W813A/CRL			E5232HL E5240HL E5248HL		H5356H	P2763-A P2764-A P2765-A P2766-A P2767-A	MH41			
	W821/CRL/CHP/UTP/CL/RL			E5356HL E5364HL		H5356H	P0963-A P0964-A P0965-A P0966-A P0967-A	—			
	U821/CRL/CHP/UTP/CL/RL										

From the library of: Diamond Needle Corp

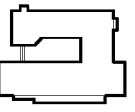
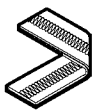
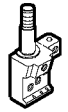
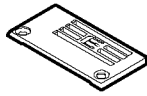
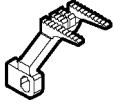
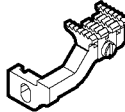

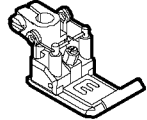



SIRUBA GAGE PARTS LIST		Series					Remark				Page	Date
		C007KD / C858KD									5/5	2012/12/26
												
MODEL		SUB-CLASS	NEEDLE CLAMP	NEEDLE PLATE	MAIN FEED DOG	DIFF. FEED DOG	PRESSER FOOT	SPREADER	LOOPER	NEEDLE	Motor	
機 型		規 格	針 座	針 板	主 送 具	差 送 具	押 具	上 叉	勾 針	針 號	馬 達	
C007KD C858KD	W822/CRL/CHP/UTP/CL/RL	232 240 248 356 364	M5232 M5240 M5248 M5356 M5364	E5232HM E5240HM E5248HM E5356HM E5364HM	D5356H	H5356H	P2763-A P2764-A P2765-A P2766-A P2767-A	MH41	From the library of: Diamond Needle Corp UYX128GAS#10	MT01	T501HE	
	U822/CRL/CHP/UTP/CL/RL						P0963-A P0964-A P0965-A P0966-A P0967-A	—				
	W823/CRL/CHP/UTP/CL/RL			P2763-A P2764-A P2765-A P2766-A P2767-A			MH41					
	U823/CRL/CHP/UTP/CL/RL			P0963-A P0964-A P0965-A P0966-A P0967-A			—					
	W922/CW	456 460 464	M5456K M5460K M5464K	E5456KM E5460KM E5464KM	D5456K	H5456K-E	P5456K-A P5460K-A P5464K-A	MH41	MT01B	SM1014B#10		

SIRUBA GAGE PARTS LIST		Series				Remark					Page	Date
		C007KD				USE FOR FFT					1 / 5	2012/11/01
												
MODEL	SUB-CLASS	NEEDLE CLAMP	NEEDLE PLATE	MAIN FEED DOG	DIFF. FEED DOG	TOP FEED DOG	PRESSER FOOT	LOOPER	SPREADER	NEEDLE		
機 型	規 格	針 座	針 板	主送具	差送具	上送具	壓 具	勾 針	上 叉	使 用 針		
W121/FFT/CH	240 248 356 364	M5240 M5248 M5356 M5364	E5240KL E5248KL E5356KL E5364KL	D5356K	H5356K-E	F7356N	P7240N-A P7248N-A P7356N-A P7364N-A	MT01	MH41	UYX128GAS#10		
W121/FFT/CH /UTP(UTR)	240 248 356 364	M5240 M5248 M5356 M5364	E5240KL E5248KL E5356KL E5364KL	D5356K	H5356K-E	F7356N	P7240N-A P7248N-A P7356N-A P7364N-A	MT01	MH41	UYX128GAS#10		
W122/FFT/CH	240 248 356 364	M5240 M5248 M5356 M5364	E5240KM E5248KM E5356KM E5364KM	D5356K	H5356K-E	F7356N	P7240N-A P7248N-A P7356N-A P7364N-A	MT01	MH41	UYX128GAS#10		
W122/FFT/CH /UTP(UTR)	240 248 356 364	M5240 M5248 M5356 M5364	E5240KM E5248KM E5356KM E5364KM	D5356K	H5356K-E	F7356N	P7240N-A P7248N-A P7356N-A P7364N-A	MT01	MH41	UYX128GAS#10		

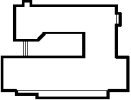


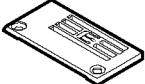
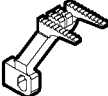
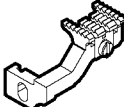

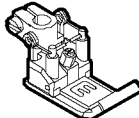



From the library of: Diamond Needle Corp

SIRUBA GAGE PARTS LIST		Series				Remark					Page	Date											
		C007KD				USE FOR FFT					2 / 5	2012/11/01											
											MODEL	SUB-CLASS	NEEDLE CLAMP	NEEDLE PLATE	MAIN FEED DOG	DIFF. FEED DOG	TOP FEED DOG	PRESSER FOOT	LOOPER	SPREADER	NEEDLE		
機 型	規 格	針 座	針 板	主送具	差送具	上送具	壓 具	勾 針	上 叉	使用針													
W131/FFT/CH	240 248 356 364	M5240 M5248 M5356 M5364	E7240CL E7248CL E7356CL E7364CL	D7356C	H7356C	F7356F	P7240F-A P7248F-A P7356F-A P7364F-A	MT01	MH41	UYX128GAS#10													
W131/FFT/CH /UTP(UTR)	240 248 356 364	M5240 M5248 M5356 M5364	E7240CL E7248CL E7356CL E7364CL	D7356C	H7356C	F7356F	P7240F-A P7248F-A P7356F-A P7364F-A	MT01	MH41	UYX128GAS#10													
W132/FFT/CH	240 248 356 364	M5240 M5248 M5356 M5364	E7240CM E7248CM E7356CM E7364CM	D7356C	H7356C	F7356F	P7240F-A P7248F-A P7356F-A P7364F-A	MT01	MH41	UYX128GAS#10													
W132/FFT/CH /UTP(UTR)	240 248 356 364	M5240 M5248 M5356 M5364	E7240CM E7248CM E7356CM E7364CM	D7356C	H7356C	F7356F	P7240F-A P7248F-A P7356F-A P7364F-A	MT01	MH41	UYX128GAS#10													

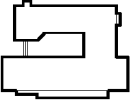


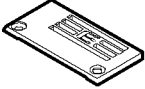
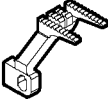
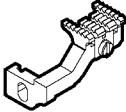

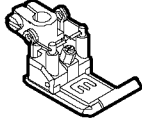



From the library of: Diamond Needle Corp

SIRUBA GAGE PARTS LIST		Series				Remark					Page	Date
		C007KD				USE FOR FFT					3/5	2012/11/01
												
MODEL	SUB-CLASS	NEEDLE CLAMP	NEEDLE PLATE	MAIN FEED DOG	DIFF. FEED DOG	TOP FEED DOG	PRESSER FOOT	LOOPER	SPREADER	NEEDLE		
機 型	規 格	針 座	針 板	主送具	差送具	上送具	壓 具	勾 針	上 叉	使用針		
W811A/FFT/CRL	240 248 356 364	M5240 M5248 M5356 M5364	E5240JL E5248JL E5356JL E5364JL	D5356H	H5356J	F7356L	P7240L-A P7248L-A P7356L-A P7364L-A	MT01	MH41	UYX128GAS#10		
U811A/FFT/CRL	240 248 356 364	M5240 M5248 M5356 M5364	E5240JL E5248JL E5356JL E5364JL	D5356H	H5356J	F7356L	P7240H-A P7248H-A P7356H-A P7364H-A	MT01	—	UYX128GAS#10		
W811A/FFT/CRL /UTP(UTR)	240 248 356 364	M5240 M5248 M5356 M5364	E5240JL E5248JL E5356JL E5364JL	D5356H	H5356J	F7356L	P7240L-A P7248L-A P7356L-A P7364L-A	MT01	MH41	UYX128GAS#10		
U811A/FFT/CRL /UTP(UTR)	240 248 356 364	M5240 M5248 M5356 M5364	E5240JL E5248JL E5356JL E5364JL	D5356H	H5356J	F7356L	P7240H-A P7248H-A P7356H-A P7364H-A	MT01	—	UYX128GAS#10		
W812A/FFT/CRL	240 248 356 364	M5240 M5248 M5356 M5364	E5240JM E5248JM E5356JM E5364JM	D5356H	H5356J	F7356L	P7240L-A P7248L-A P7356L-A P7364L-A	MT01	MH41	UYX128GAS#10		
U812A/FFT/CRL	240 248 356 364	M5240 M5248 M5356 M5364	E5240JM E5248JM E5356JM E5364JM	D5356H	H5356J	F7356L	P7240H-A P7248H-A P7356H-A P7364H-A	MT01	—	UYX128GAS#10		
W812A/FFT/CRL /UTP(UTR)	240 248 356 364	M5240 M5248 M5356 M5364	E5240JM E5248JM E5356JM E5364JM	D5356H	H5356J	F7356L	P7240L-A P7248L-A P7356L-A P7364L-A	MT01	MH41	UYX128GAS#10		

From the library of: Diamond Needle Corp

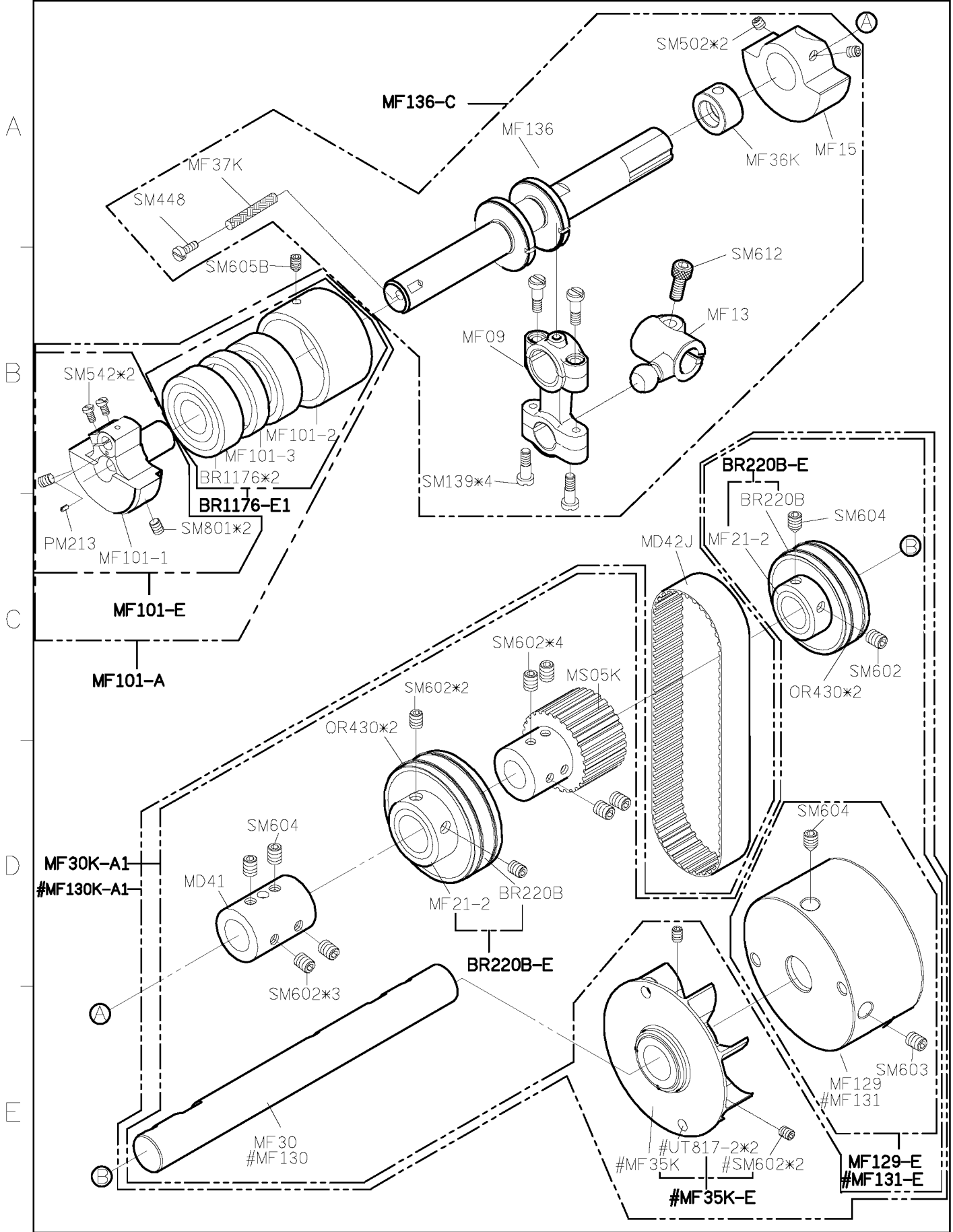
SIRUBA GAGE PARTS LIST		Series				Remark				Page	Date
		C007KD				USE FOR FFT				4/5	2012/11/01
											
MODEL	SUB-CLASS	NEEDLE CLAMP	NEEDLE PLATE	MAIN FEED DOG	DIFF. FEED DOG	TOP FEED DOG	PRESSER FOOT	LOOPER	SPREADER	NEEDLE	
機 型	規 格	針 座	針 板	主送具	差送具	上送具	壓 具	勾 針	上 叉	使用針	
U812A/FFT/CRL /UTP(UTR)	240 248 356 364	M5240 M5248 M5356 M5364	E5240JM E5248JM E5356JM E5364JM	D5356H	H5356J	F7356L	P7240H-A P7248H-A P7356H-A P7364H-A	MT01	—	UYX128GAS#10	
W821A/FFT/CRL /UTP(UTR)	240 248 356 364	M5240 M5248 M5356 M5364	E5240JL E5248JL E5356JL E5364JL	D5356H	H5356J	F7356L	P7240L-A P7248L-A P7356L-A P7364L-A	MT01	MH41	UYX128GAS#10	
U821A/FFT/CRL /UTP(UTR)	240 248 356 364	M5240 M5248 M5356 M5364	E5240JL E5248JL E5356JL E5364JL	D5356H	H5356J	F7356L	P7240H-A P7248H-A P7356H-A P7364H-A	MT01	—	UYX128GAS#10	
W821A/FFT/CRL /CHP/UTP	240 248 356 364	M5240 M5248 M5356 M5364	E5240JL E5248JL E5356JL E5364JL	D5356H	H5356J	F7356L	P7240L-A P7248L-A P7356L-A P7364L-A	MT01	MH41	UYX128GAS#10	
U821A/FFT/CRL /CHP/UTP	240 248 356 364	M5240 M5248 M5356 M5364	E5240JL E5248JL E5356JL E5364JL	D5356H	H5356J	F7356L	P7240H-A P7248H-A P7356H-A P7364H-A	MT01	—	UYX128GAS#10	
W822A/FFT/CRL /UTP(UTR)	240 248 356 364	M5240 M5248 M5356 M5364	E5240JM E5248JM E5356JM E5364JM	D5356H	H5356J	F7356L	P7240L-A P7248L-A P7356L-A P7364L-A	MT01	MH41	UYX128GAS#10	
U822A/FFT/CRL /UTP(UTR)	240 248 356 364	M5240 M5248 M5356 M5364	E5240JM E5248JM E5356JM E5364JM	D5356H	H5356J	F7356L	P7240H-A P7248H-A P7356H-A P7364H-A	MT01	—	UYX128GAS#10	

From the library of: Diamond Needle Corp

SIRUBA GAGE PARTS LIST		Series				Remark					Page	Date
		C007KD				USE FOR FFT					5/5	2012/11/01
												
MODEL	SUB-CLASS	NEEDLE CLAMP	NEEDLE PLATE	MAIN FEED DOG	DIFF. FEED DOG	TOP FEED DOG	PRESSER FOOT	LOOPER	SPREADER	NEEDLE		
機 型	規 格	針 座	針 板	主送具	差送具	上送具	壓 具	勾 針	上 叉	使用針		
W822A/FFT/CRL /CHP/UTP	240 248 356 364	M5240 M5248 M5356 M5364	E5240JM E5248JM E5356JM E5364JM	D5356H	H5356J	F7356L	P7240L-A P7248L-A P7356L-A P7364L-A	MT01	MH41	UYX128GAS#10		
U822A/FFT/CRL /CHP/UTP	240 248 356 364	M5240 M5248 M5356 M5364	E5240JM E5248JM E5356JM E5364JM	D5356H	H5356J	F7356L	P7240H-A P7248H-A P7356H-A P7364H-A	MT01	—	UYX128GAS#10		

From the library of: Diamond Needle Corp

SIRUBA PARTS LIST	Series	Parts Group	Subclass / Remark	Page
	C007K/C007KD	MF-K	#: Use for C007KD/C858KD	1/1
	C858K/C858KD			Date
				2012/11/01



SIRUBA PARTS LIST	Series	Parts Group	Subclass / Remark	Page
	C007K/C007KD	MG-K		1/1
	C858K/C858KD			Date
				2012/11/01

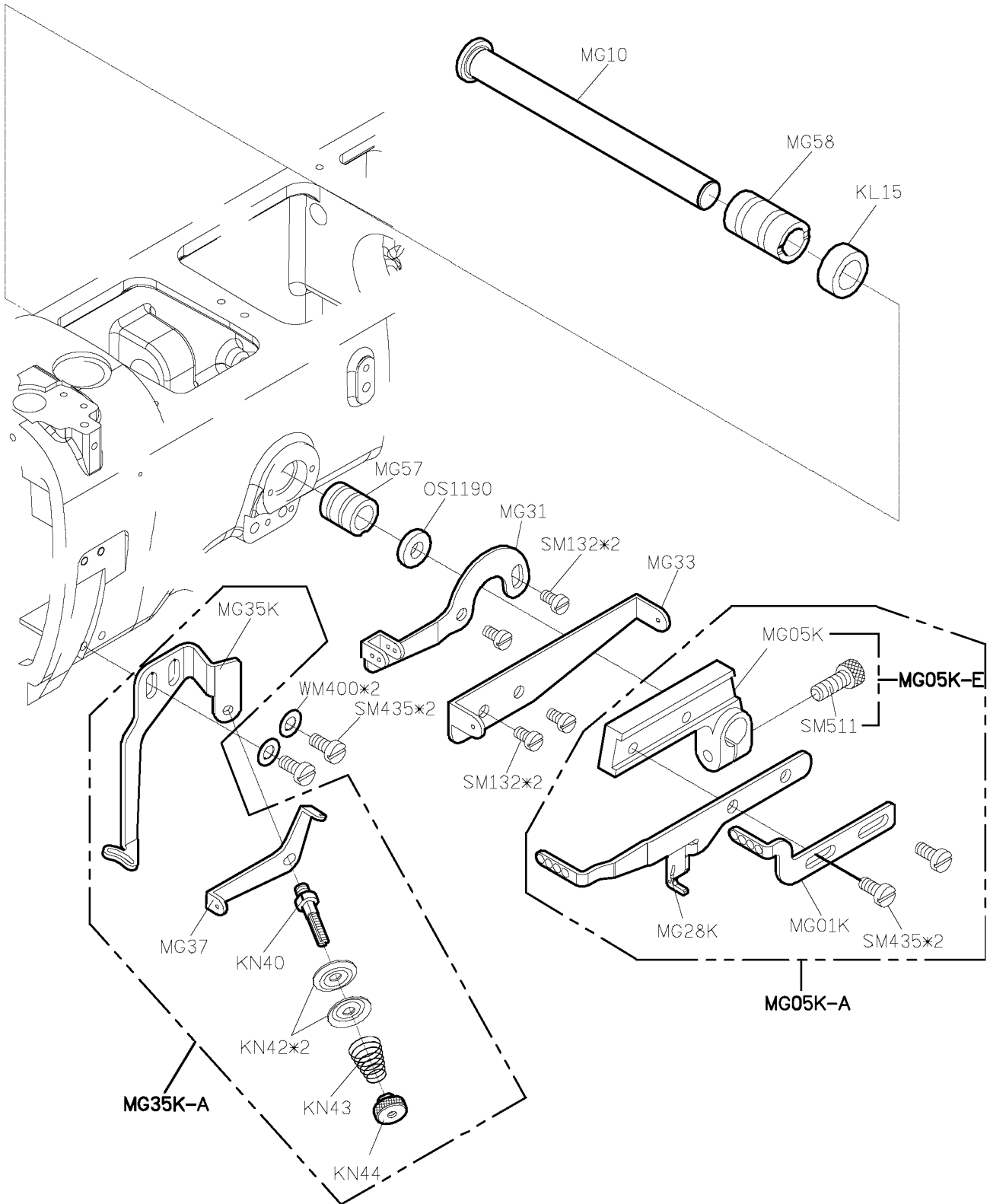
A

B

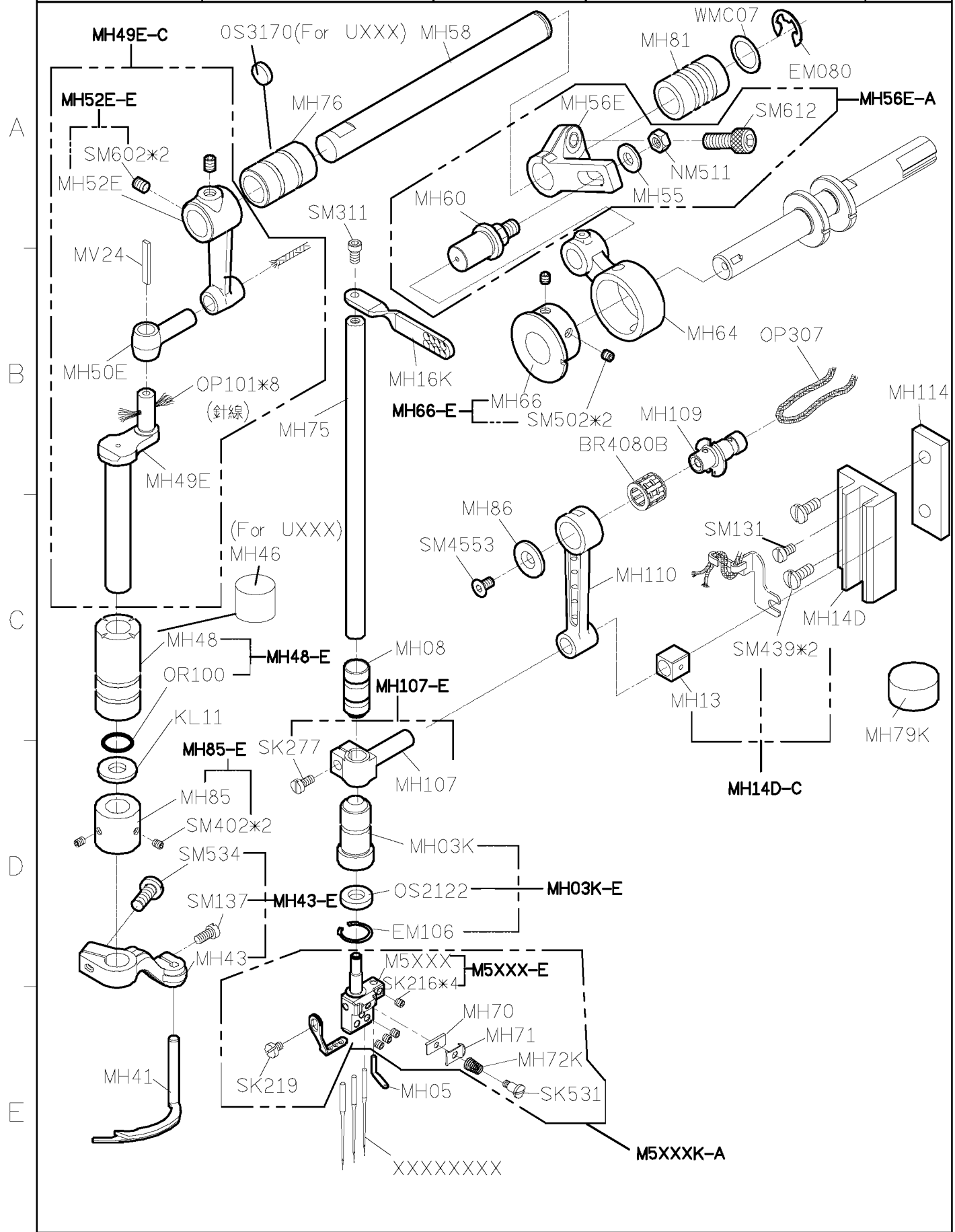
C

D

E



SIRUBA PARTS LIST	Series	Parts Group	Subclass / Remark	Page
	C007K/C007KD	MH-K		1/1
	C858K/C858KD			Date
				2012/11/01



SIRUBA

PARTS LIST

Series

C007K/C007KD
C858K/C858KD

Parts Group

MJ-K

Subclass / Remark

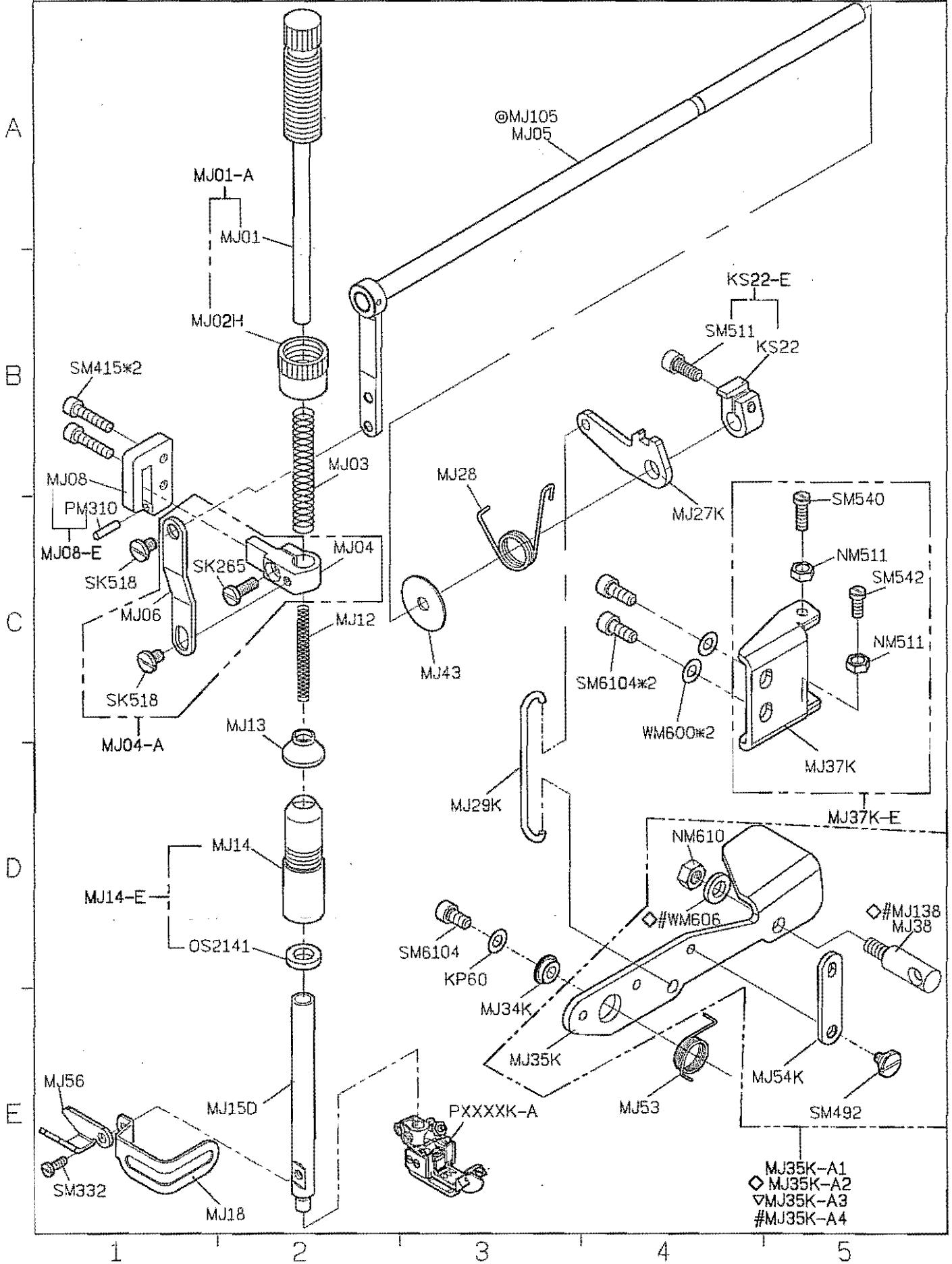
⊙: Use for C007KD/C858KD
▽: Use for C007K/C858K-UT
◇: Use for C007KD/C858KD-UT
#: Use for C007KD/C858KD not for UT

Page

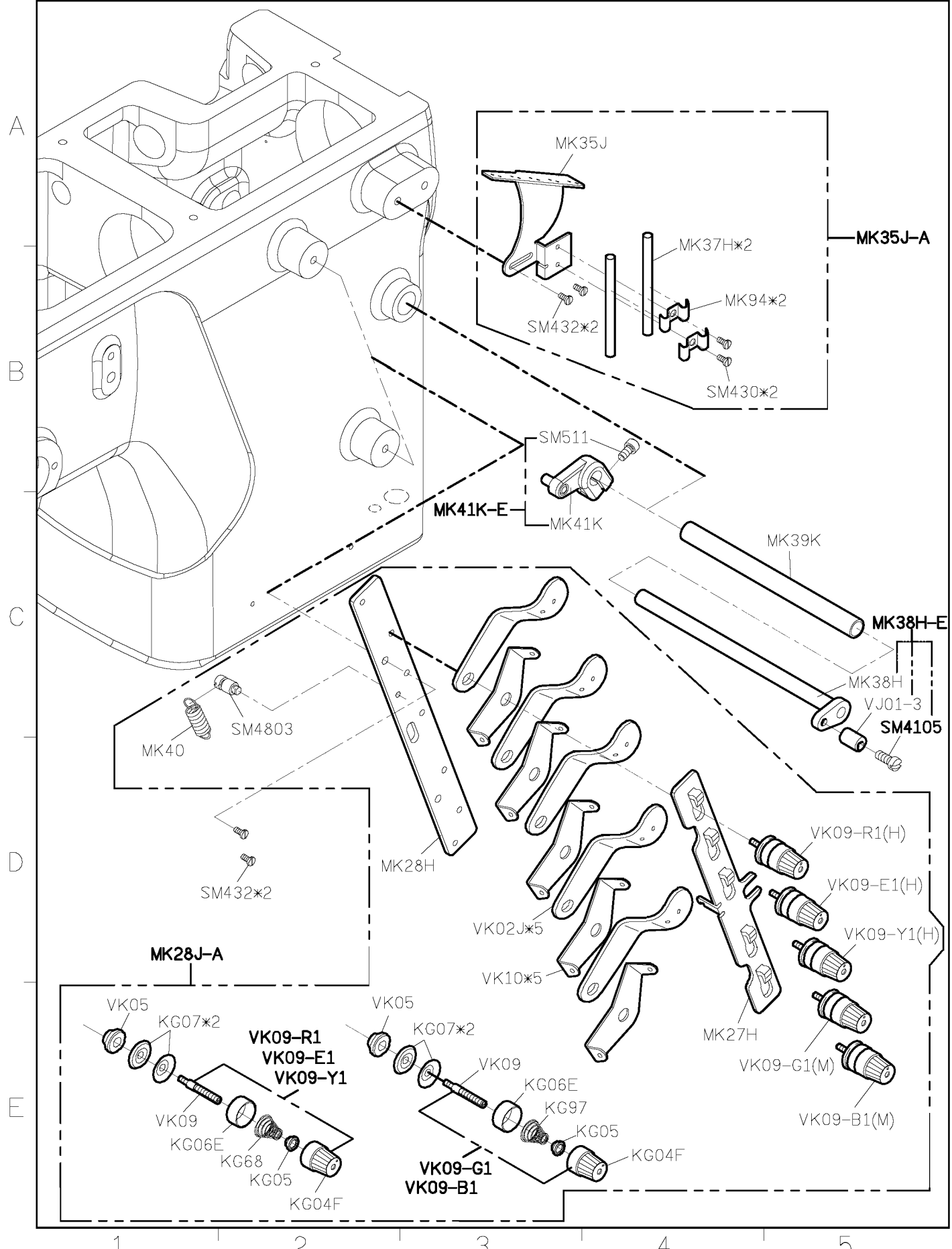
1/1

Date

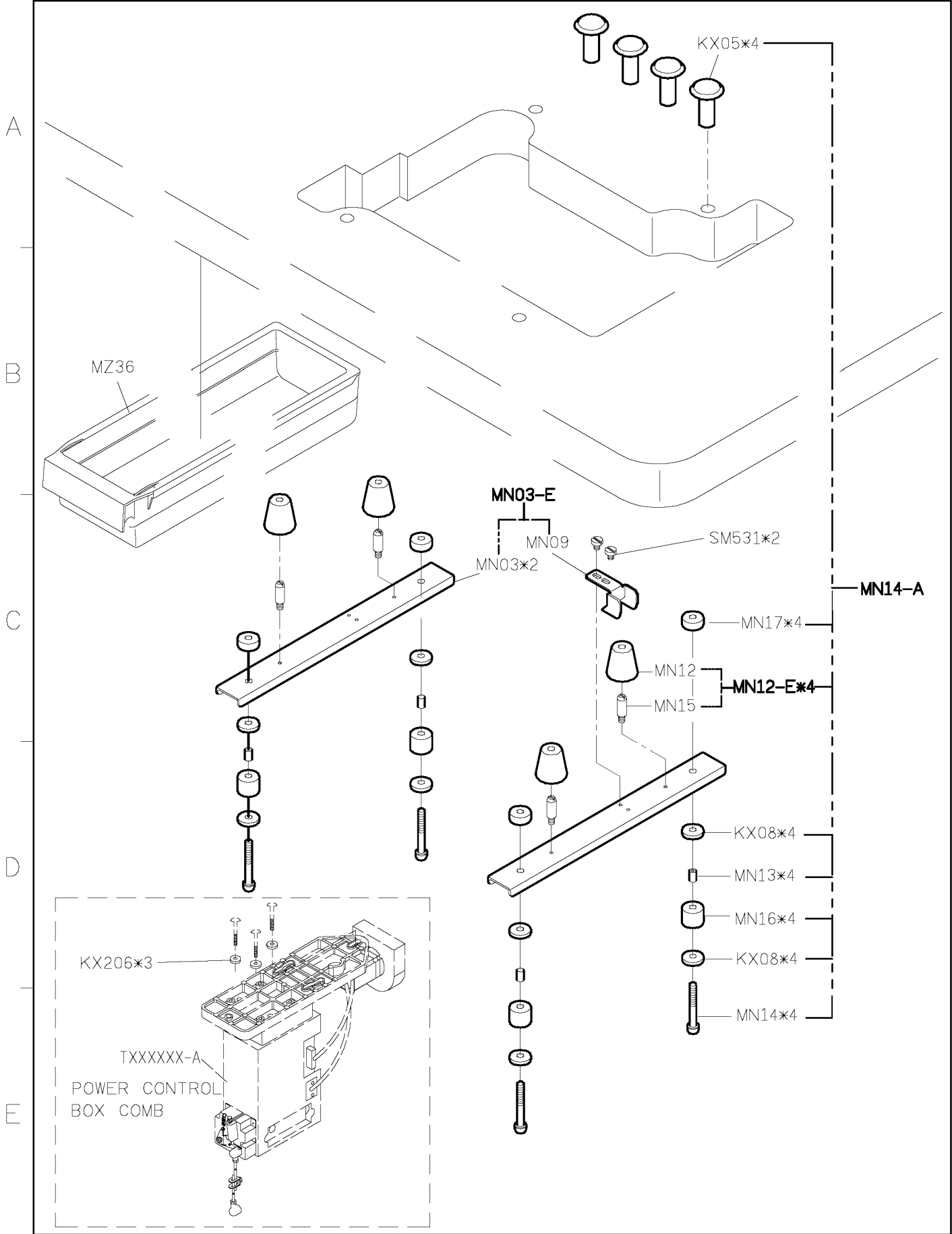
2013/01/18



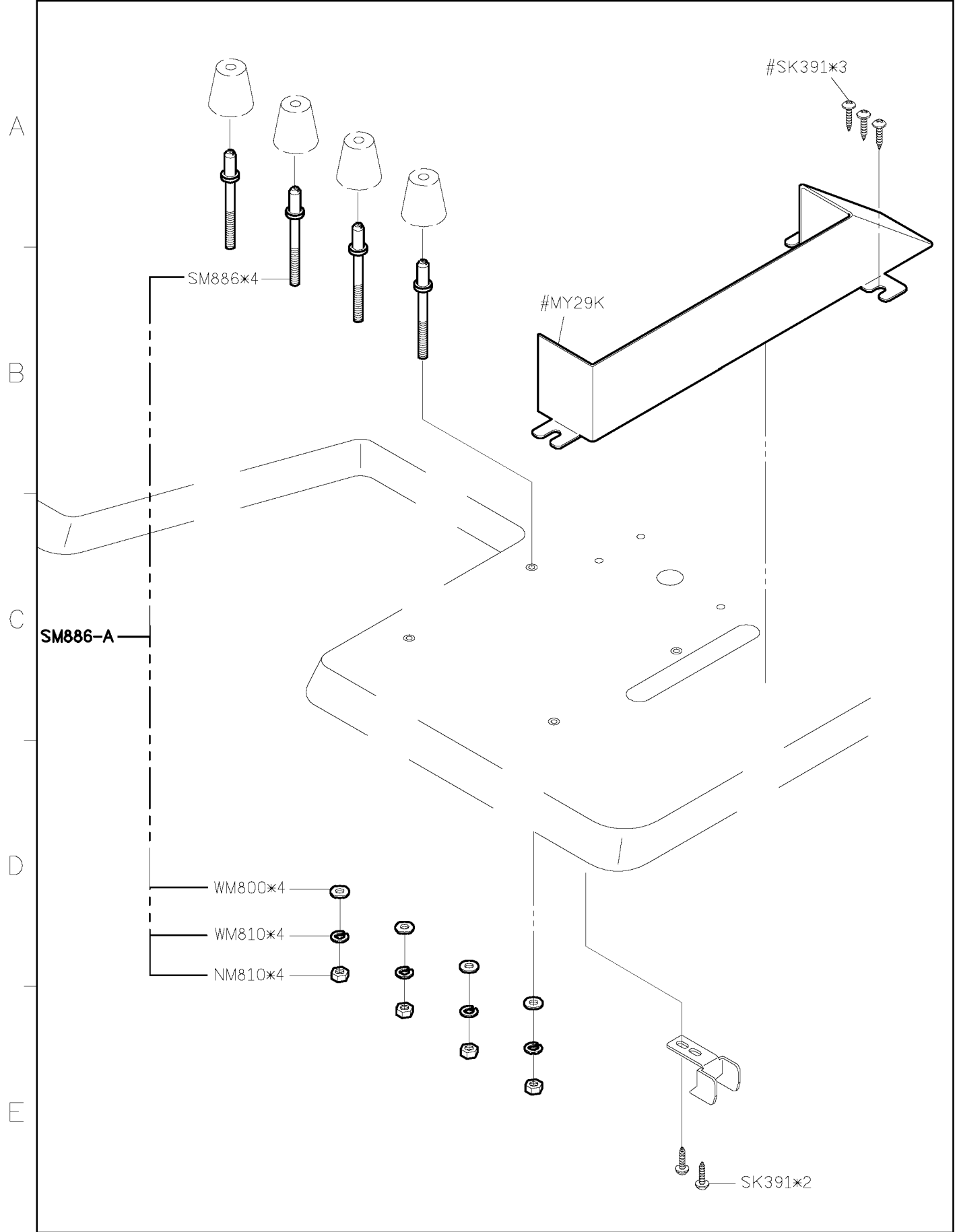
SIRUBA PARTS LIST	Series	Parts Group	Subclass / Remark	Page
	C007K/C007KD	MK-K		1/1
	C858K/C858KD			Date
				2012/11/01



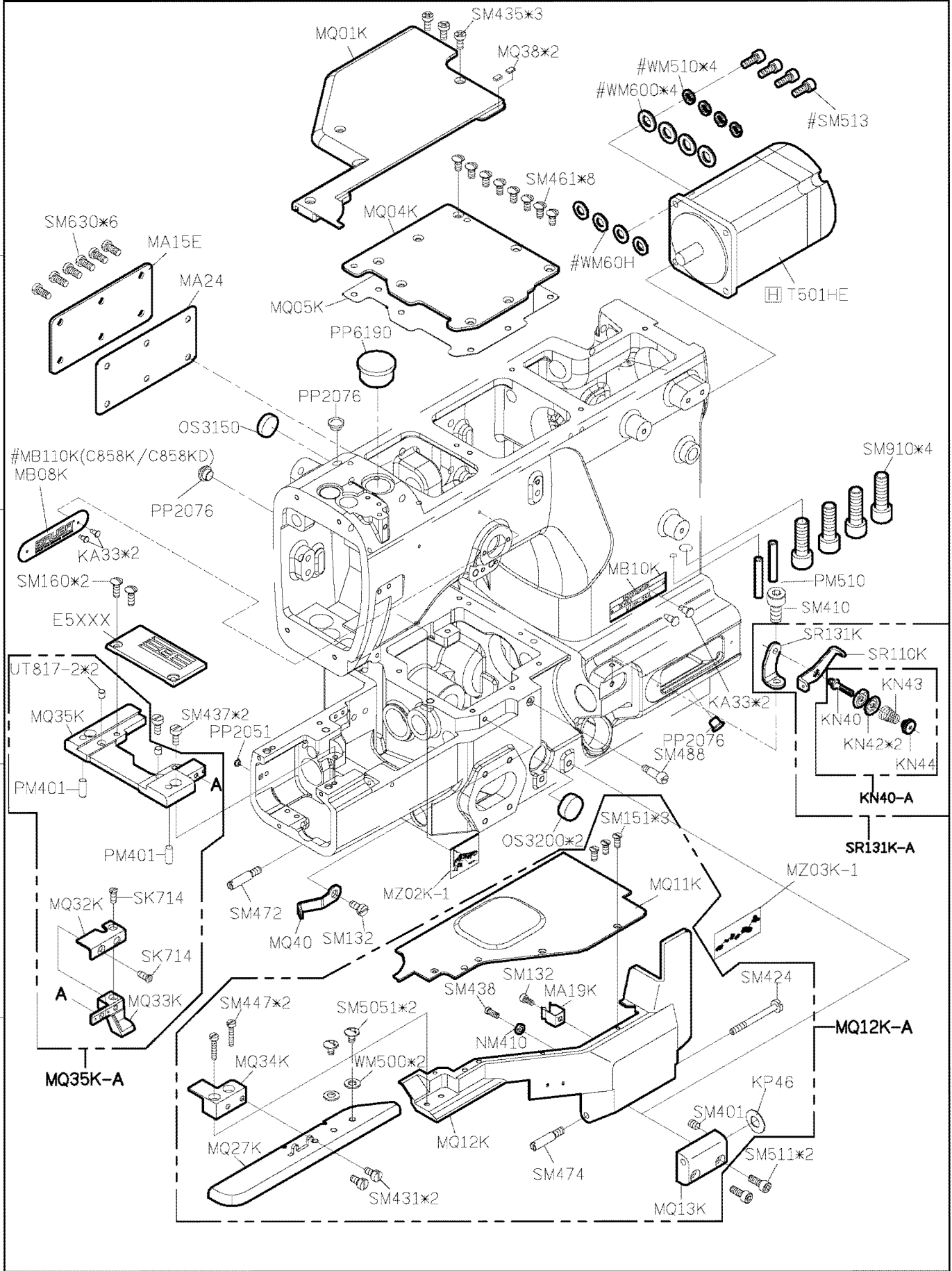
SIRUBA PARTS LIST	Series	Parts Group	Subclass / Remark	Page
	C007K/C007KD	MN-K		1/2
	C858K/C858KD			Date
				2012/11/01



SIRUBA PARTS LIST	Series	Parts Group	Subclass / Remark	Page
	C007K/C007KD C858K/C858KD	MN-K	#: Use for C007K/C858K	2/2
				Date
				2012/11/01



SIRUBA PARTS LIST	Series	Parts Group	Subclass / Remark	Page
	C007K/C007KD	MQ-K	☐ : Use for H牌馬達 # : Use for C007KD/C858KD	1/1
	C858K/C858KD			Date
				2012/11/01



SIRUBA
PARTS LIST

Series
C007K/C007KD
C858K/C858KD

Parts Group
MR-K

Subclass / Remark

- #: Use for C007KD/C858KD
- △: Use for CW
- ⊙: Use for UT
- ☆: Use for C858K/C858KD

Page

1/1

Date

2012/11/01

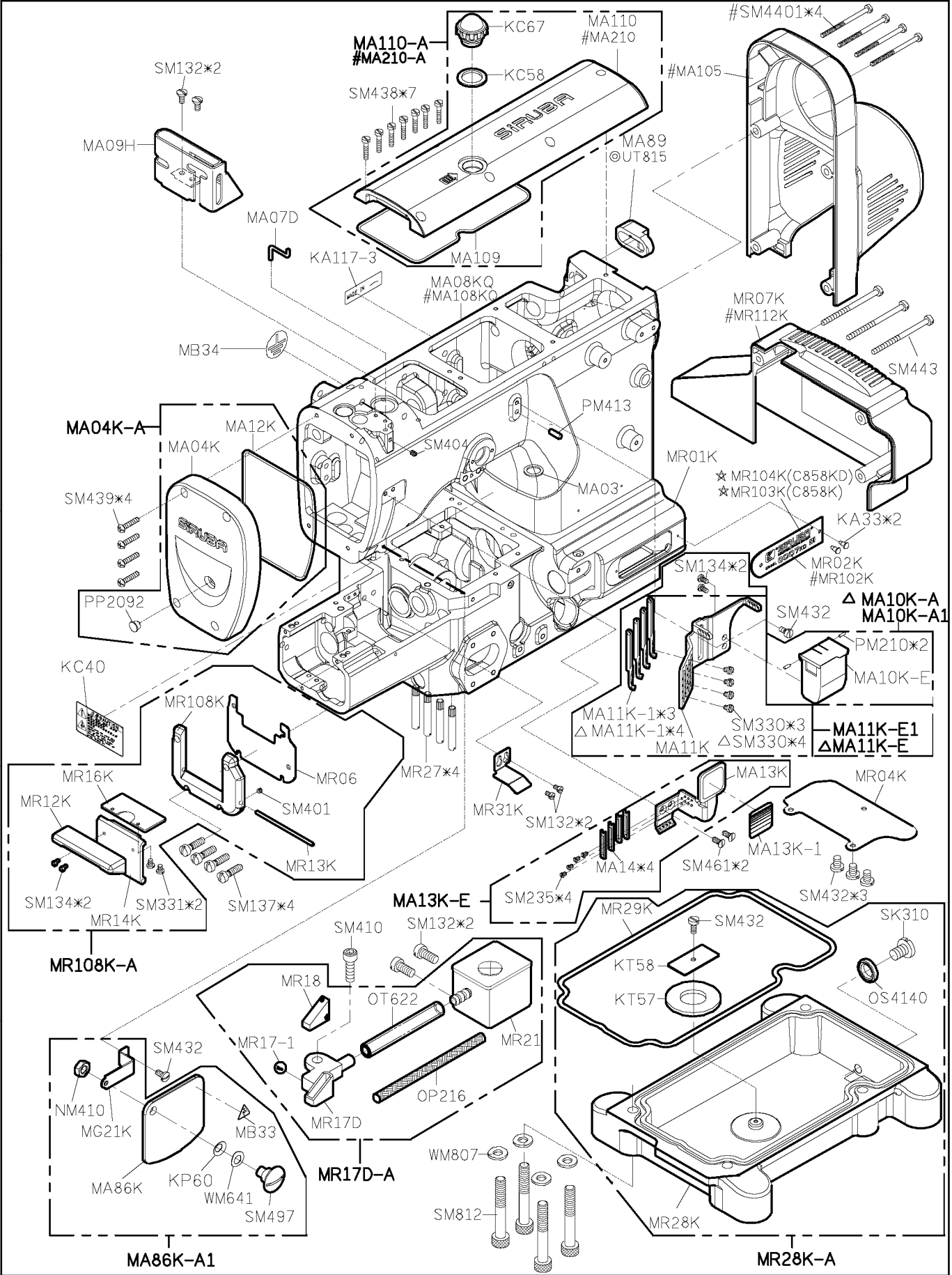
A

B

C

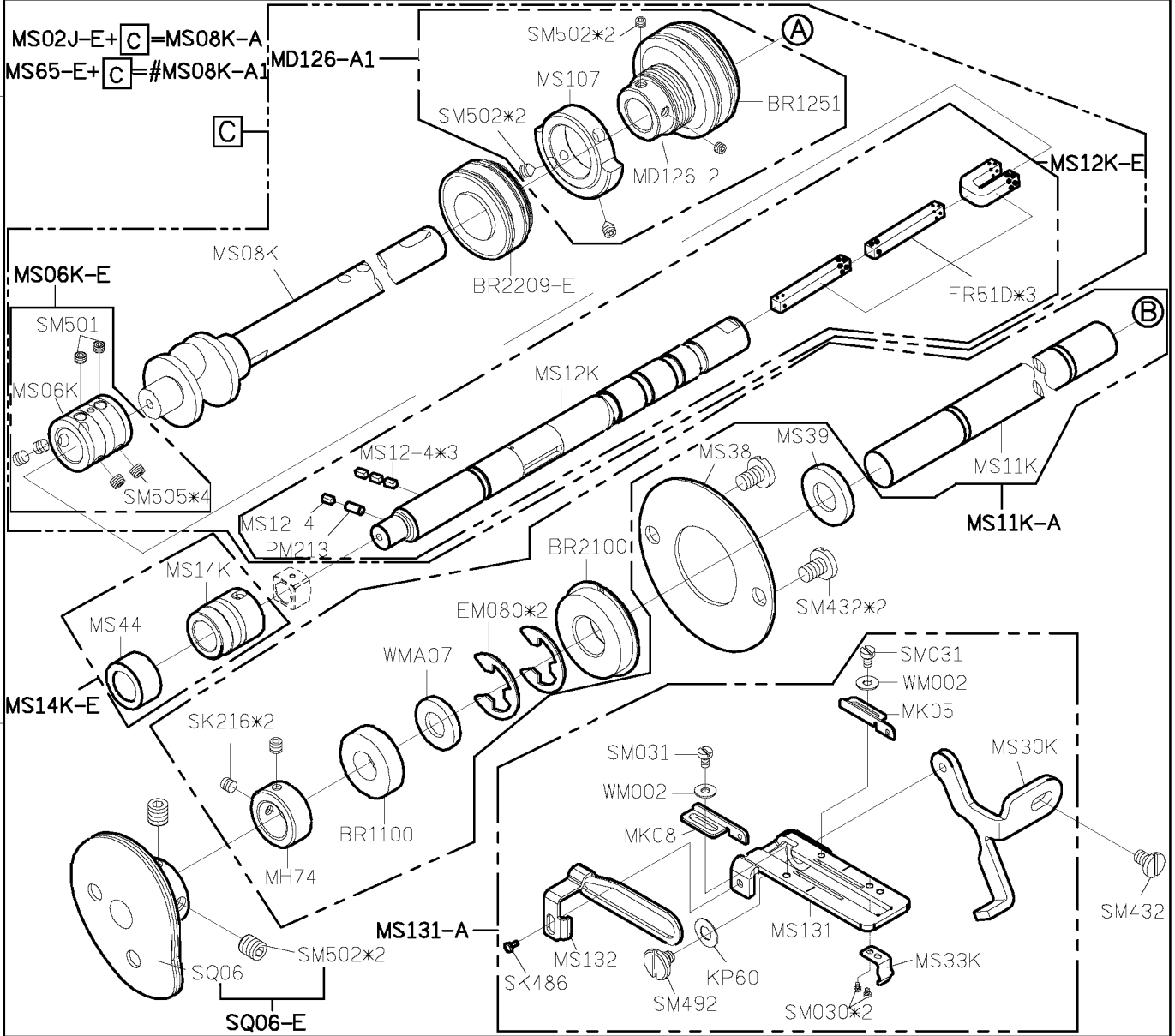
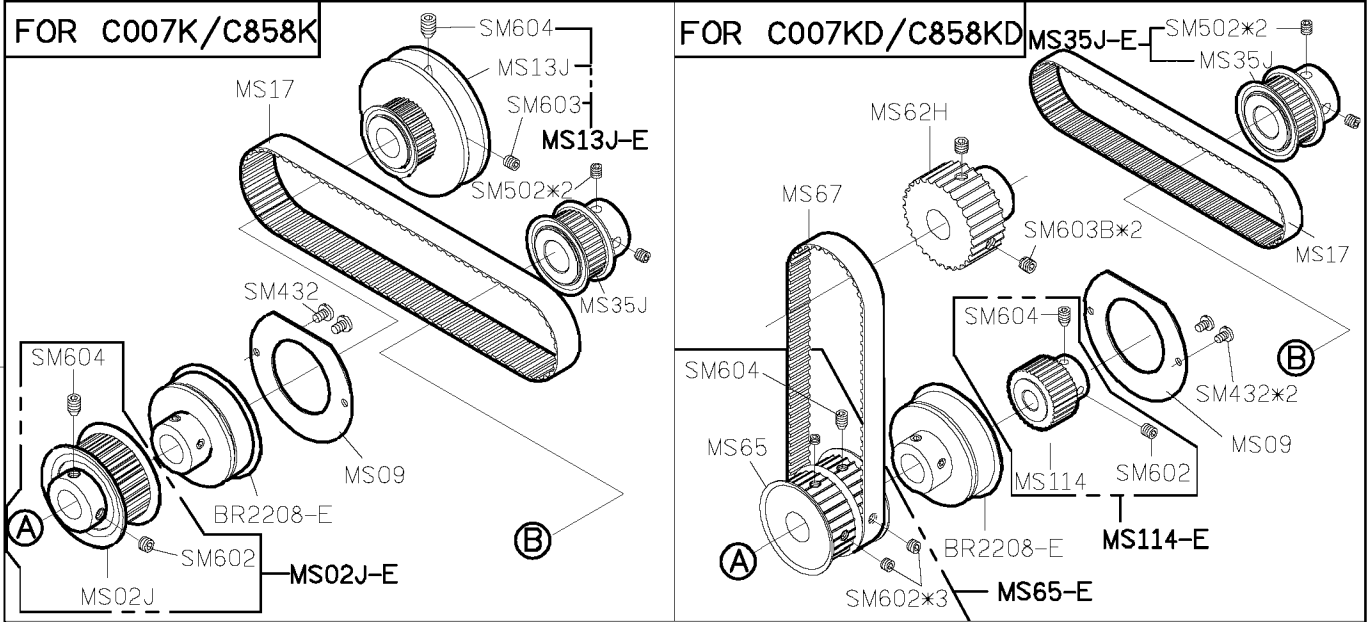
D

E

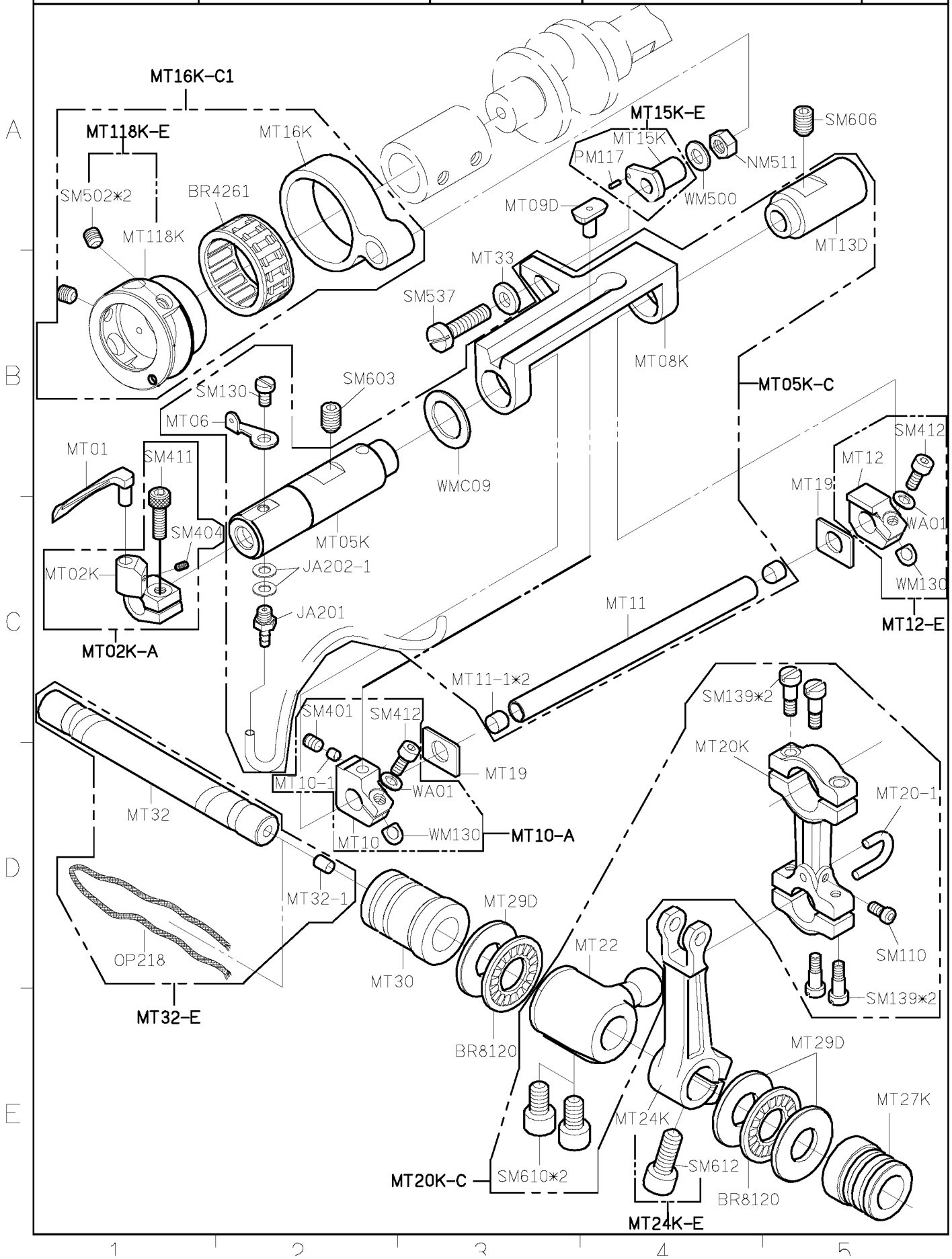


1 2 3 4 5

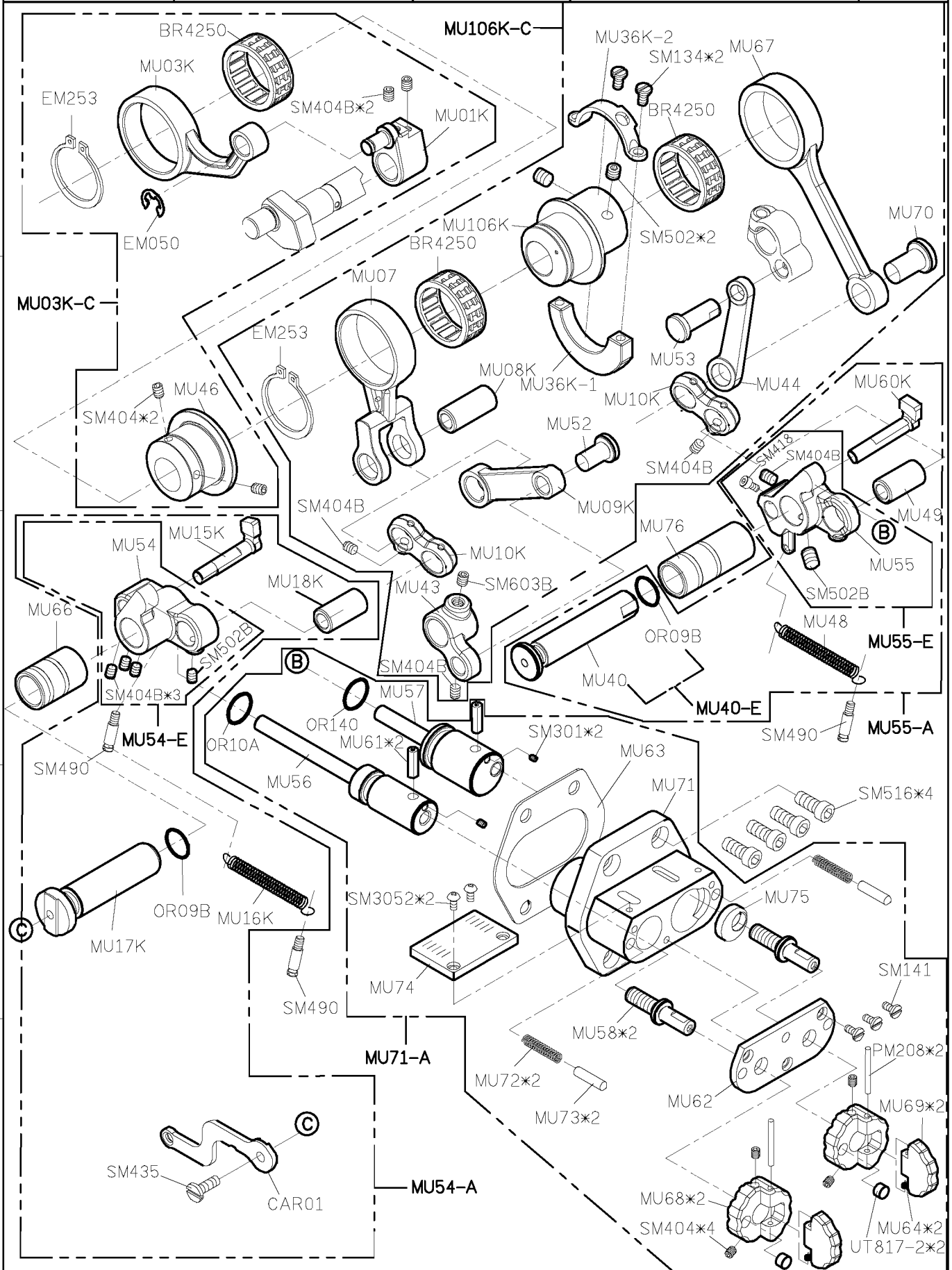
SIRUBA PARTS LIST	Series	Parts Group	Subclass / Remark	Page
	C007K/C007KD C858K/C858KD	MS-K	# : Use for C007KD/C858KD	1/1
				Date 2012/11/01



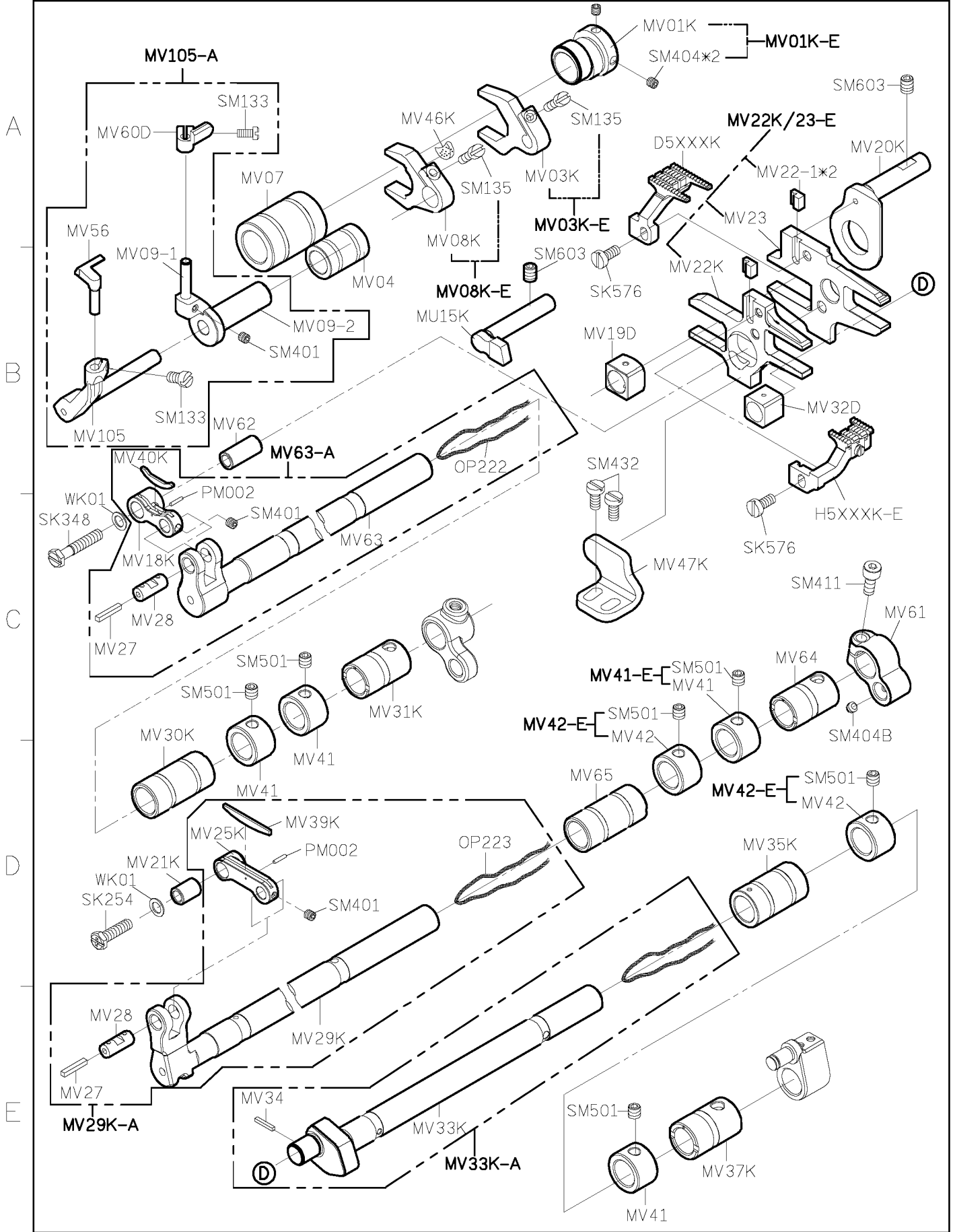
SIRUBA PARTS LIST	Series	Parts Group	Subclass / Remark	Page
	C007K/C007KD	MT-K		1/1
	C858K/C858KD			Date
				2012/11/01



SIRUBA PARTS LIST	Series	Parts Group	Subclass / Remark	Page
	C007K/C007KD	MU-K		1/1
	C858K/C858KD			Date
		2012/11/01		

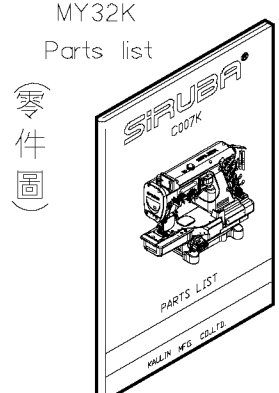
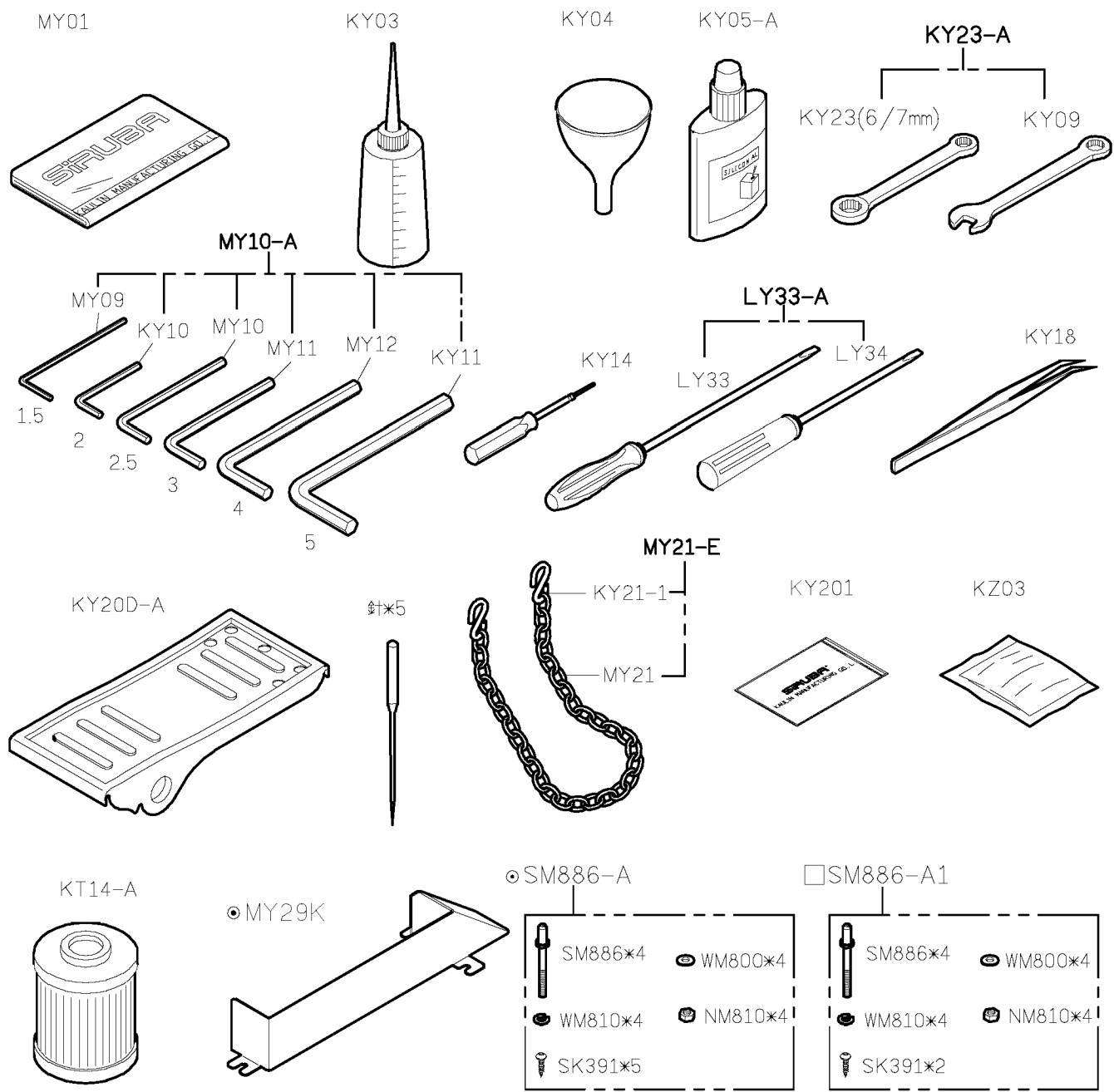


SIRUBA PARTS LIST	Series	Parts Group	Subclass / Remark	Page
	C007K/C007KD	MV-K		1/1
	C858K/C858KD			Date
				2012/11/01



SIRUBA PARTS LIST	Series	Parts Group	Subclass / Remark	Page
	C007K/C007KD C858K/C858KD	MY-K	⊙ : Use for C007K/C858K □ : Use for C007KD/C858KD	1/1
				Date
				2012/11/01

A
B
C
D
E



Parts list	
Basic mechanism	MY32K
Special mechanism	MY32K
UTP/UTQ	MY32K UT120K
Special machine type + UTP/UTQ	MY32K UT120K
UTR/UTS	MY32K UT240K
Special machine type + UTR/UTS	MY32K UT240K

SIRUBA PARTS LIST	Series	Parts Group	Subclass / Remark	Page
	C007K/C007KD C858K/C858KD	MZ-K	#: Use for C007KD/C858KD	1/1
				Date
				2012/11/01

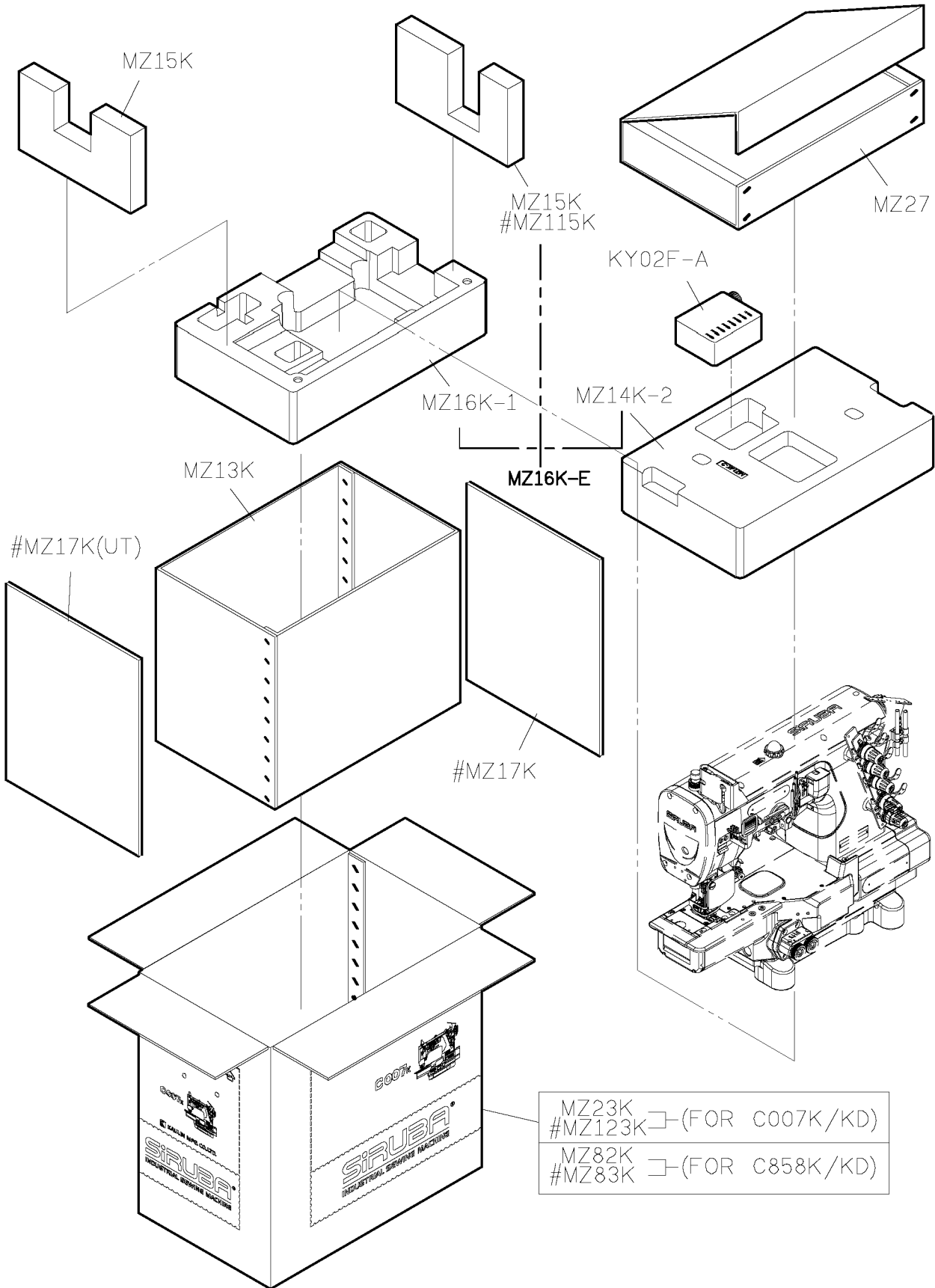
A

B

C

D

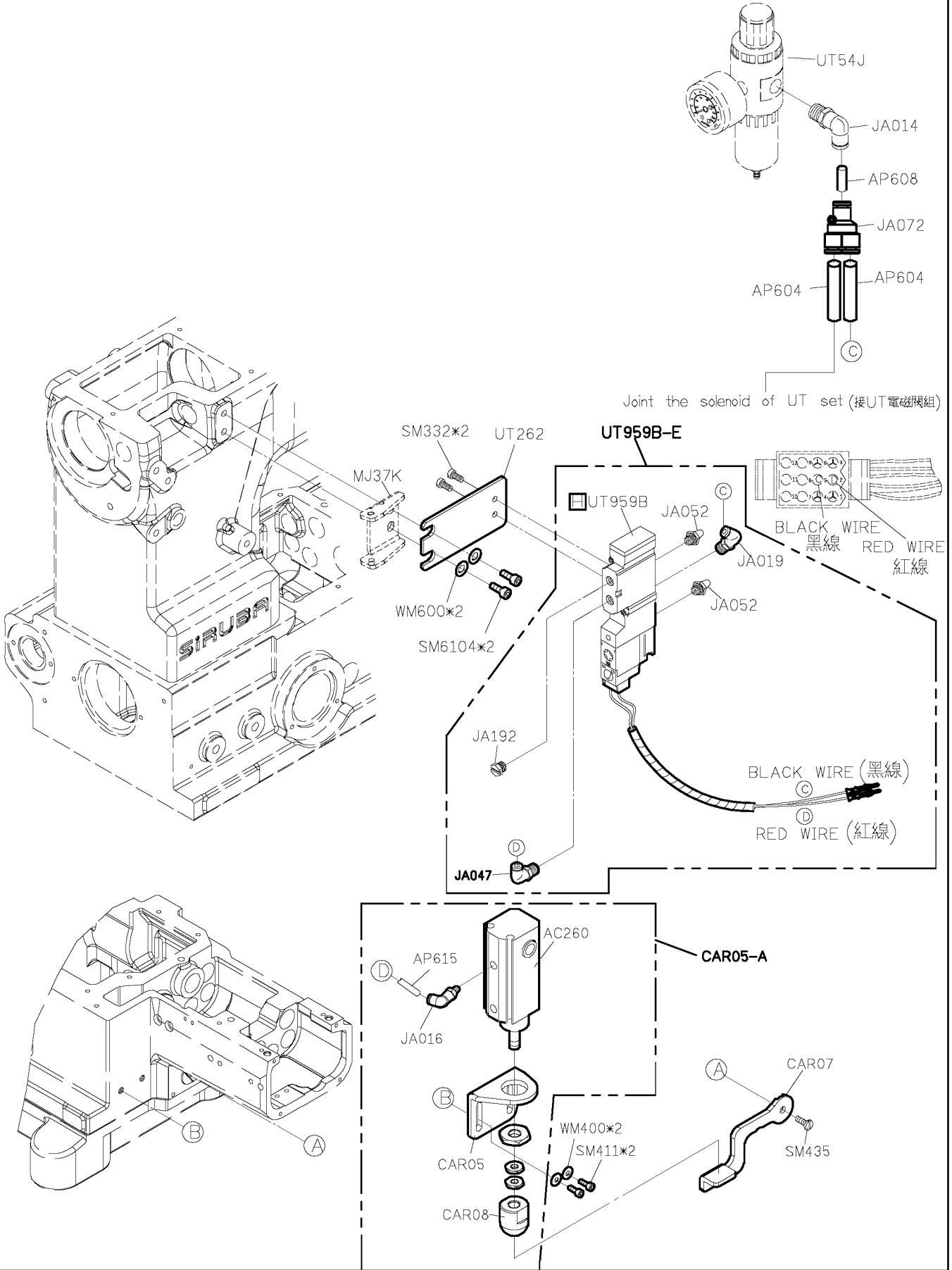
E



MZ23K	□	(FOR C007K/KD)
#MZ123K	□	(FOR C007K/KD)
MZ82K	□	(FOR C858K/KD)
#MZ83K	□	(FOR C858K/KD)

SIRUBA PARTS LIST	Series	Parts Group	Subclass Remark	Page
	C007K/C007KD C858K/C858KD	CAR	For C007K/KD/C858K/KD add SAR to the type UT ☐ : Use for H brand motor (HVP-20)	1/2
				Date
				2012/11/01

A
B
C
D
E



1 2 3 4 5

SIRUBA
PARTS LIST

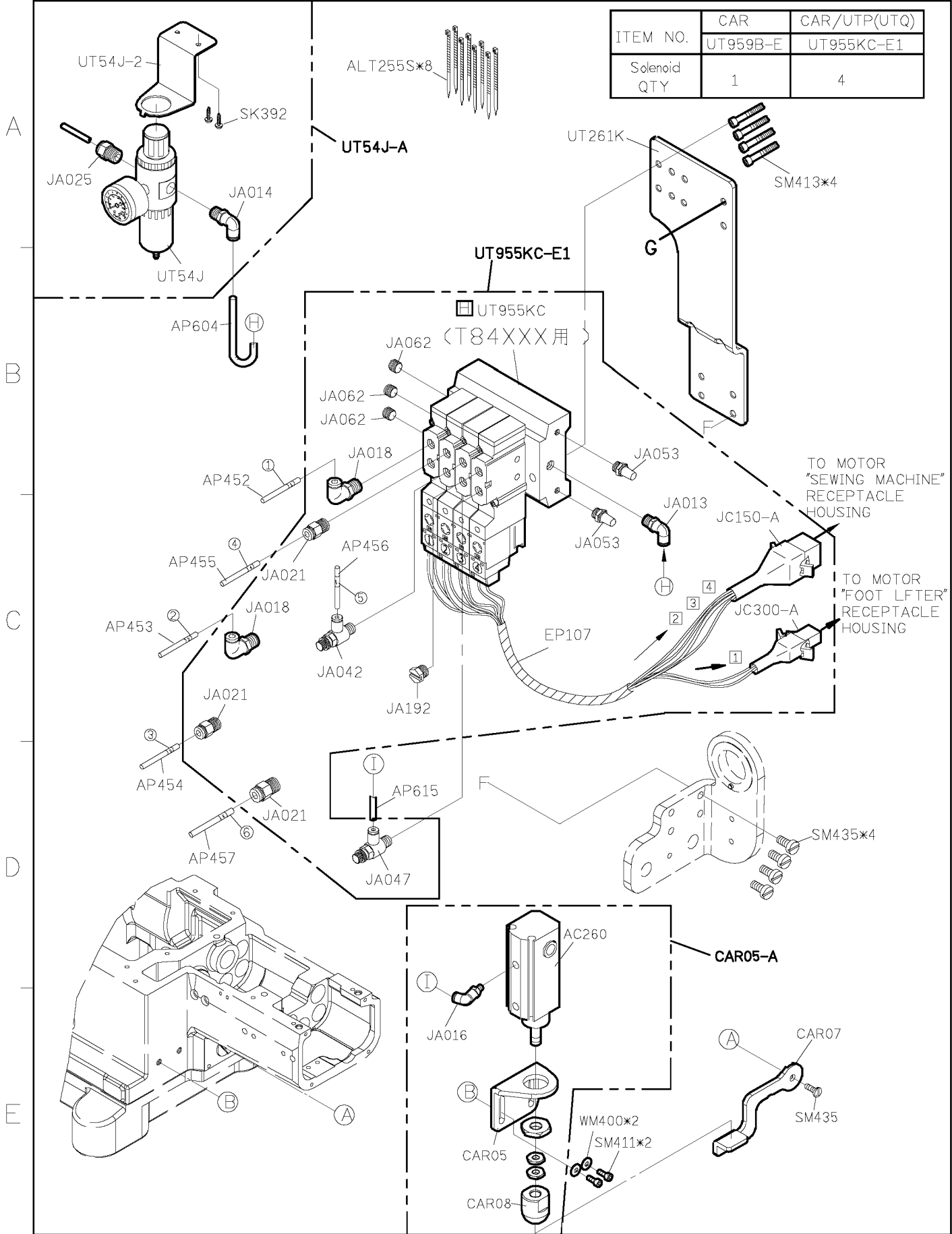
Series
C007K/C007KD
C858K/C858KD

Parts Group
CAR

Subclass Remark
For C007K/KD/C858K/KD-UT
☐ : Use for H brand motor
(HVP-20)

Page
2/2
Date
2012/11/01

ITEM NO.	CAR	CAR/UTP(UTQ)
	UT959B-E	UT955KC-E1
Solenoid QTY	1	4



SIRUBA PARTS LIST	Series	Parts Group	Subclass / Remark	Page
	C007K/C007KD	CC-K		1/1
	C858K/C858KD			Date
				2012/11/01

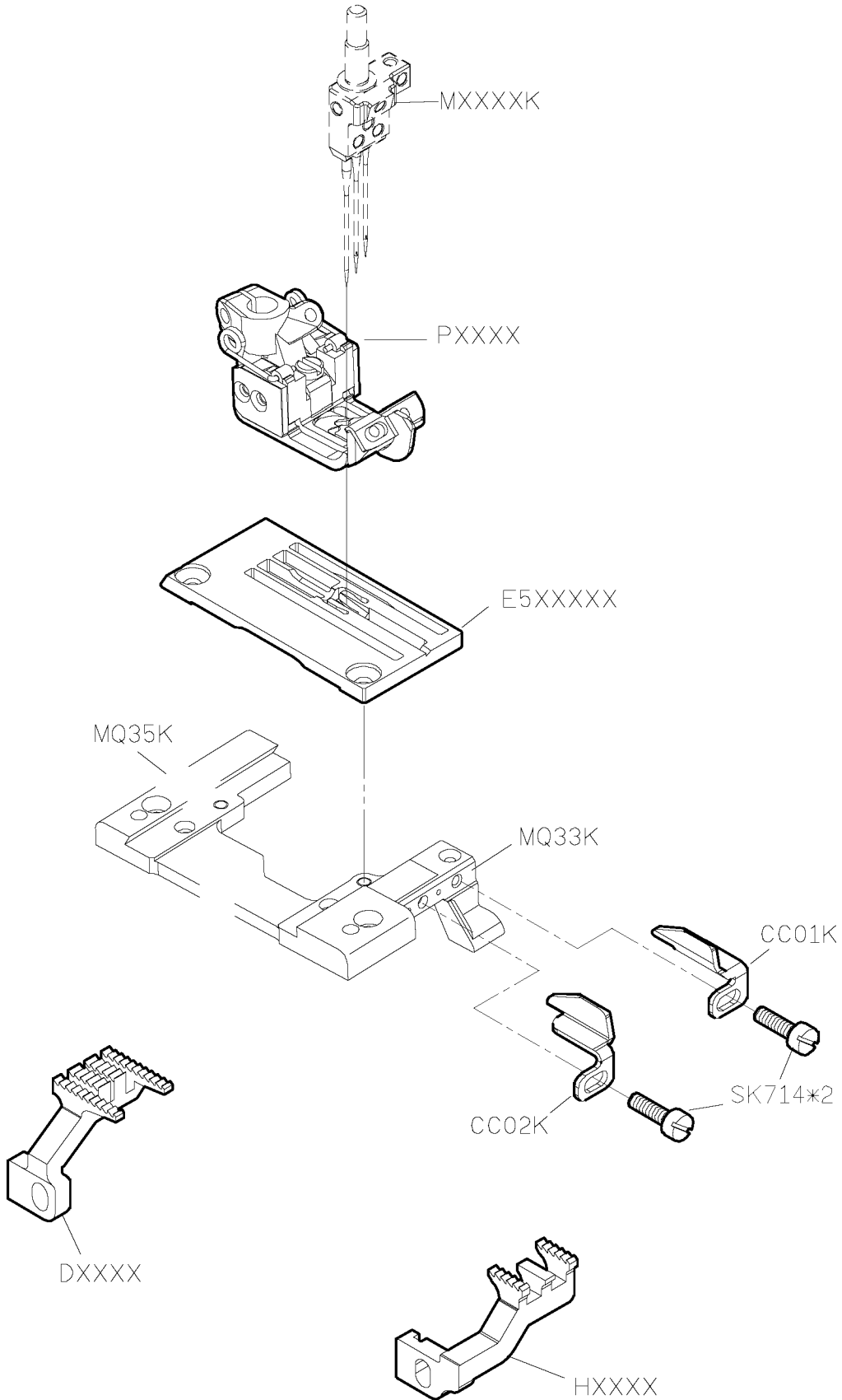
A

B

C

D

E



1

2

3

4

5

SIRUBA PARTS LIST	Series	Parts Group	Subclass / Remark	Page
	C007K/C007KD	CE-K		1/1
	C858K/C858KD			Date
				2012/11/01

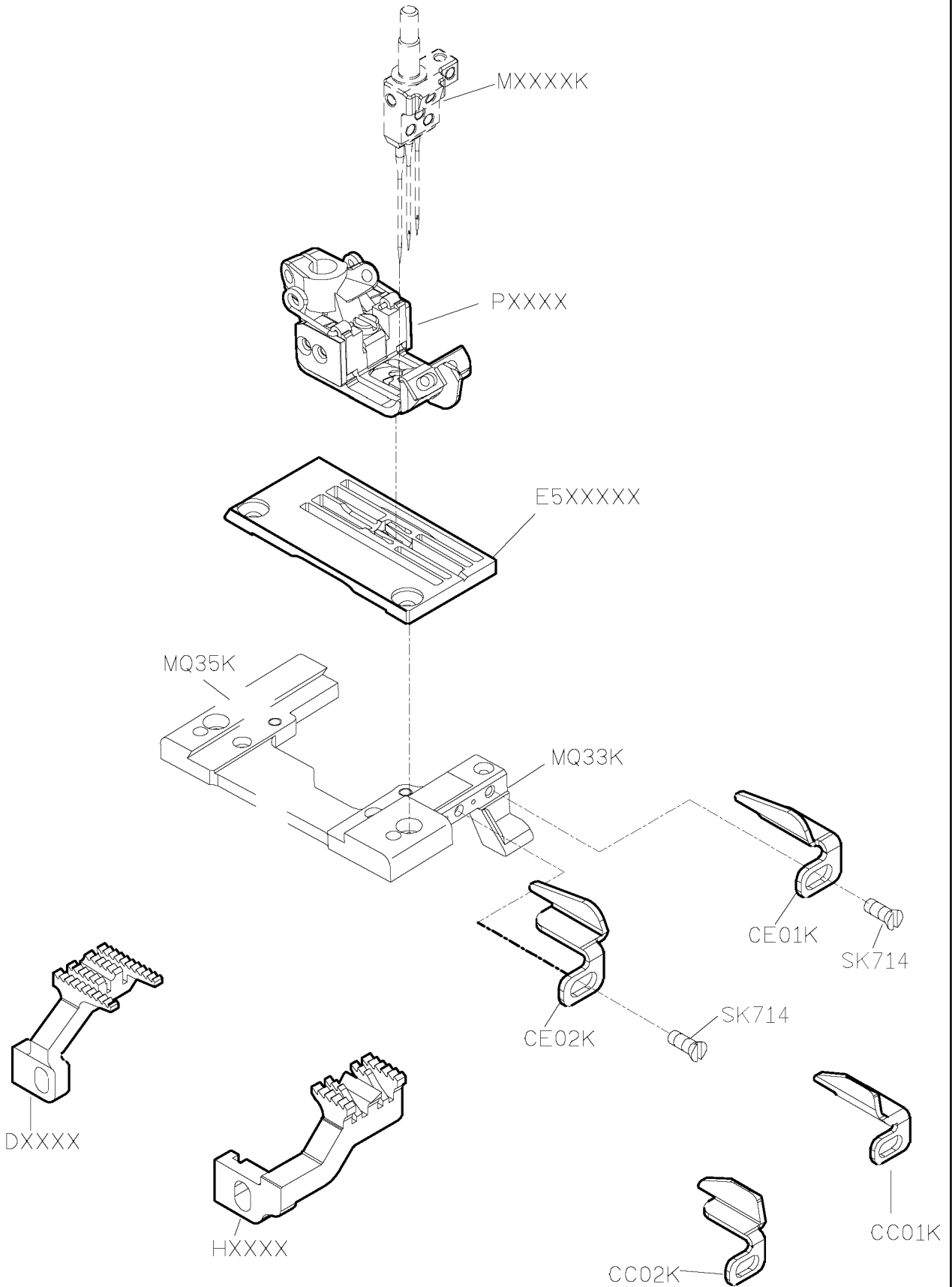
A

B

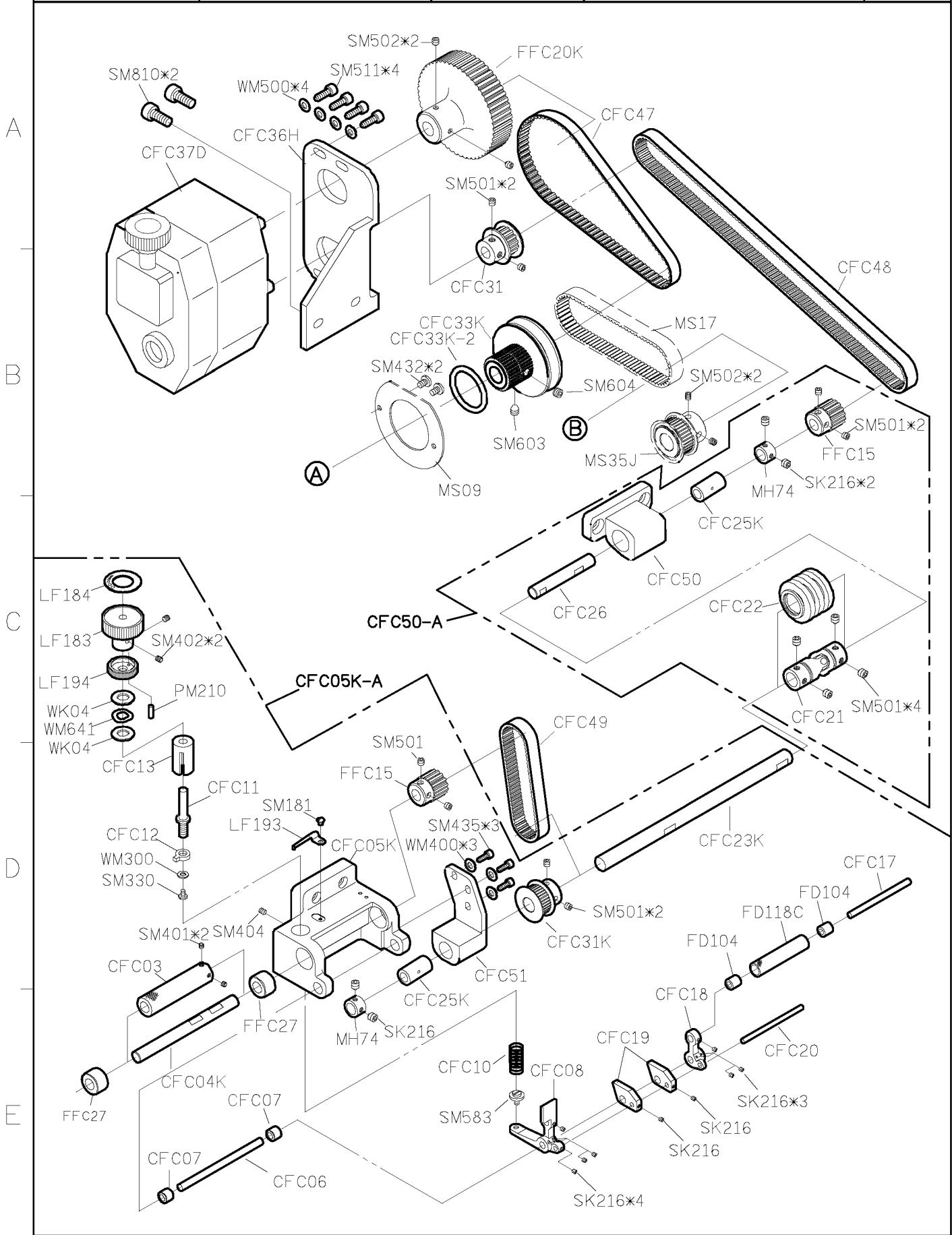
C

D

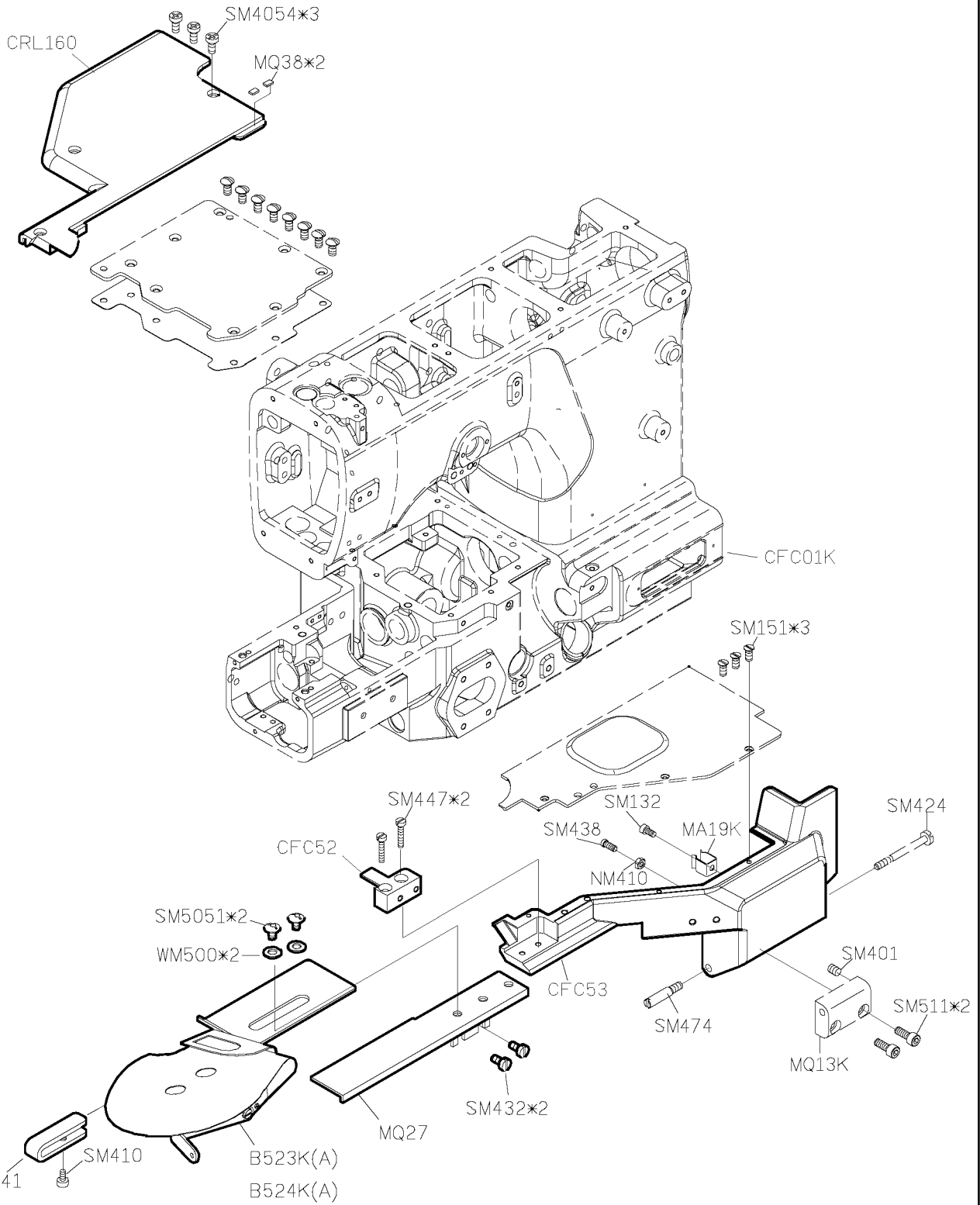
E



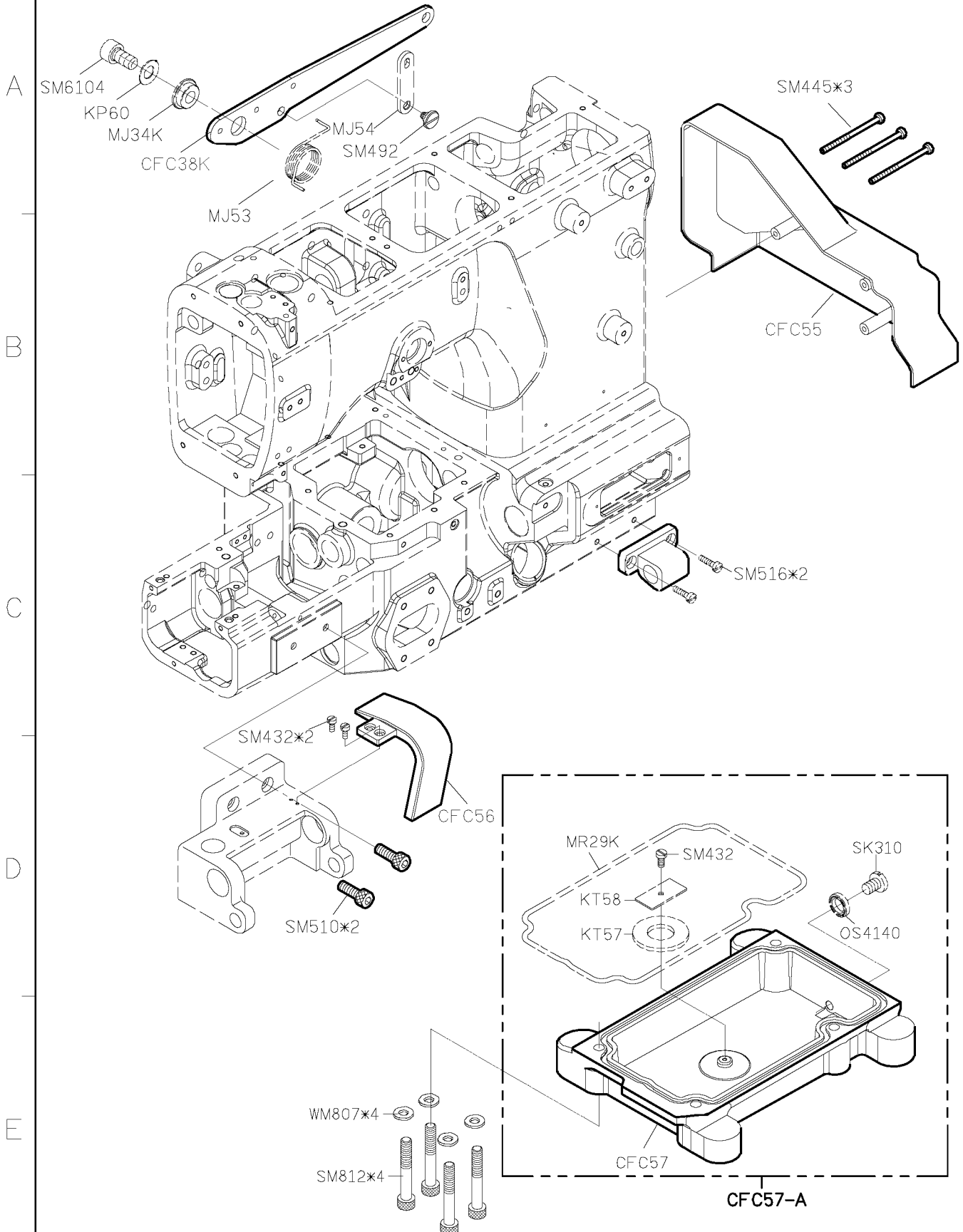
SIRUBA PARTS LIST	Series	Parts Group	Subclass / Remark	Page
	C007K/C007KD C858K/C858KD	CFC-K	For C007K/C858K	1/4
				Date
				2012/11/01



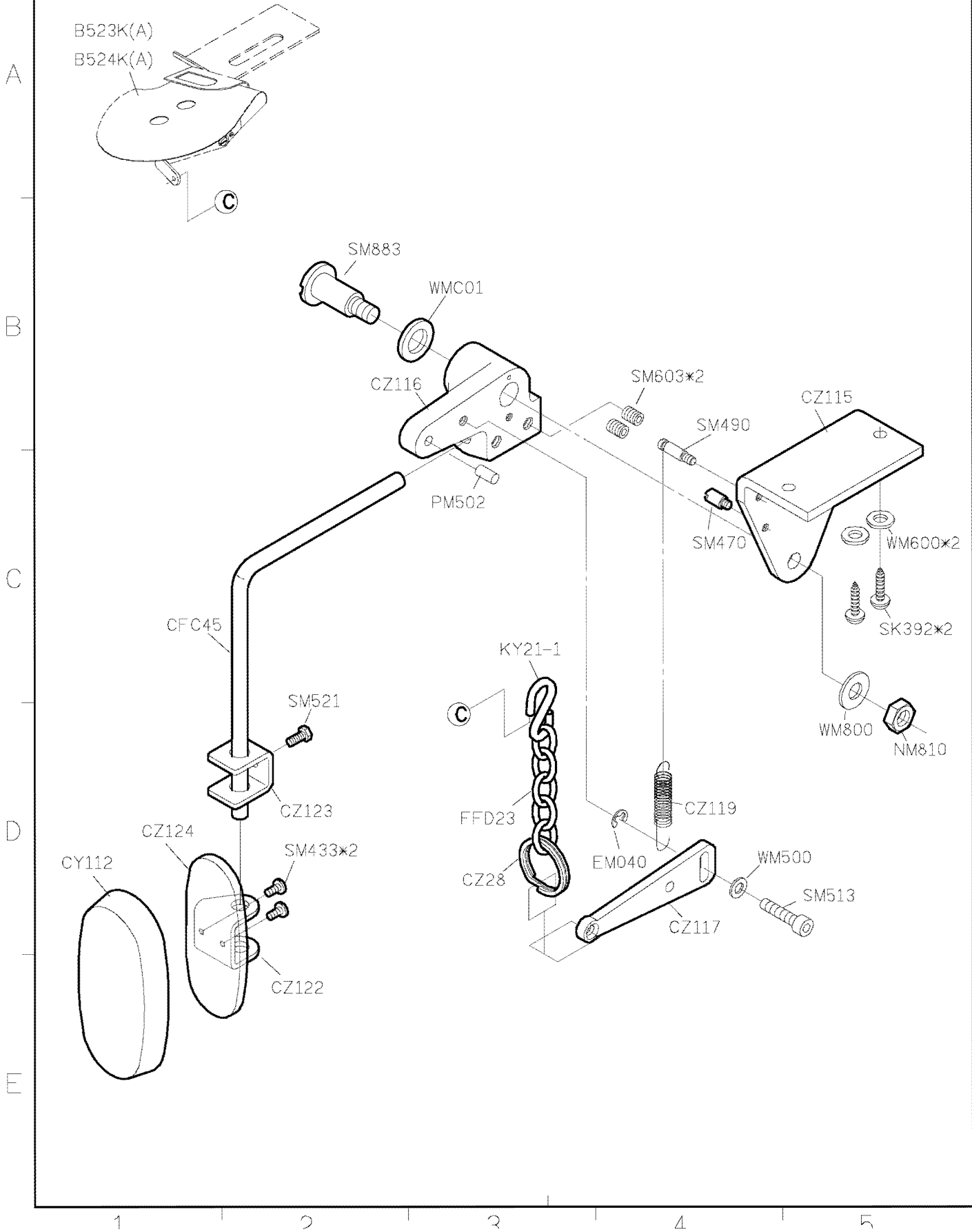
SIRUBA PARTS LIST	Series	Parts Group	Subclass / Remark	Page
	C007K/C007KD	CFC-K	For C007K/C858K	2/4
	C858K/C858KD			Date
	2012/11/01			



SIRUBA PARTS LIST	Series	Parts Group	Subclass / Remark	Page
	C007K/C007KD	CFC-K	For C007K/C858K	3/4
	C858K/C858KD			Date
				2012/11/01



SIRUBA PARTS LIST	Series	Parts Group	Subclass / Remark	Page
	C007K/C007KD	CFC-K	For C007K/C858K	4/4
	C858K/C858KD			Date
	2012/11/01			



SIRUBA PARTS LIST	Series	Parts Group	Subclass / Remark	Page
	C007K/C007KD C858K/C858KD	CH-3M	○ : Use for Three in one CE # : Use for Three in one CQ △ : Use for Three in one CH	1/1
				Date 2012/11/01

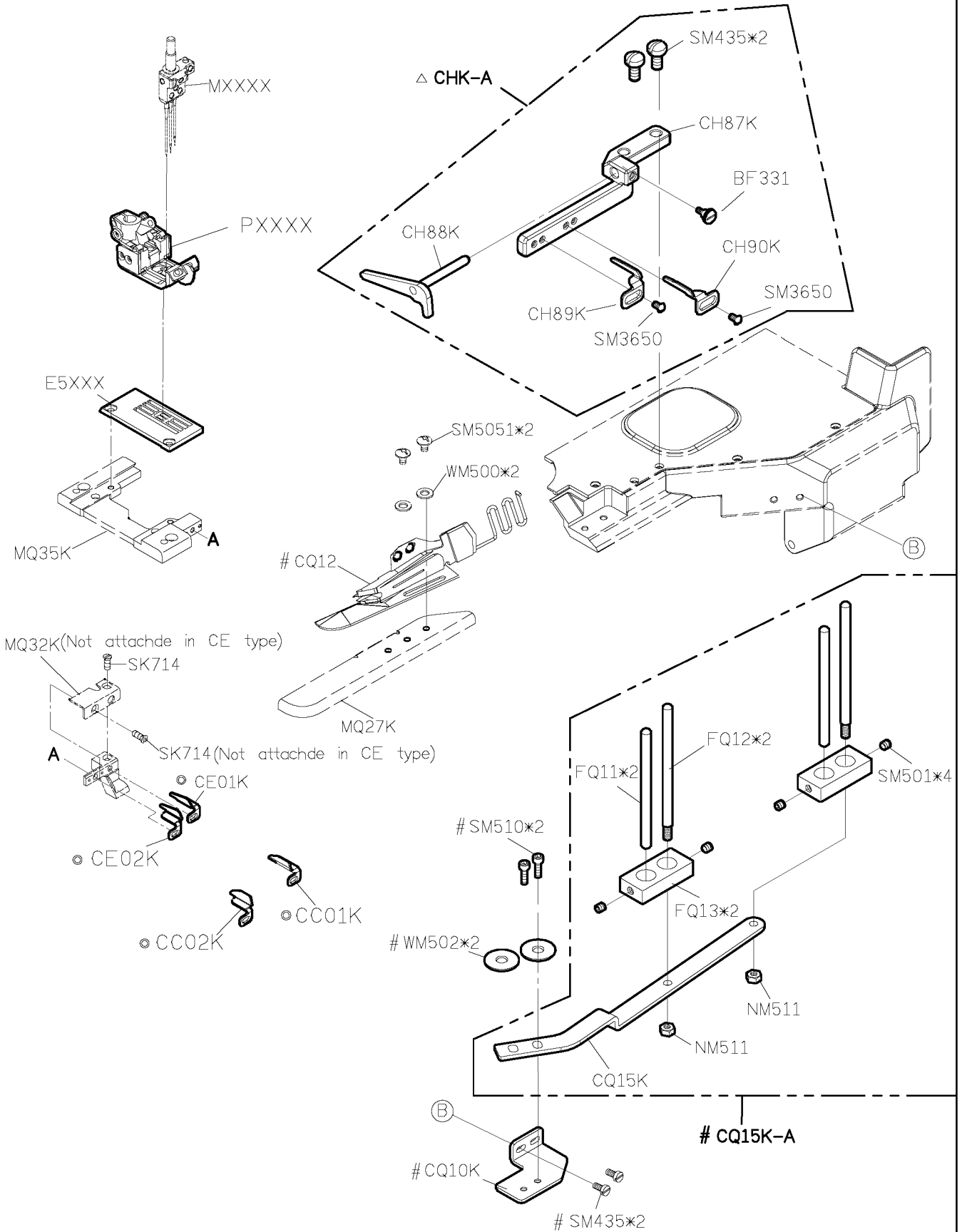
A

B

C

D

E



1

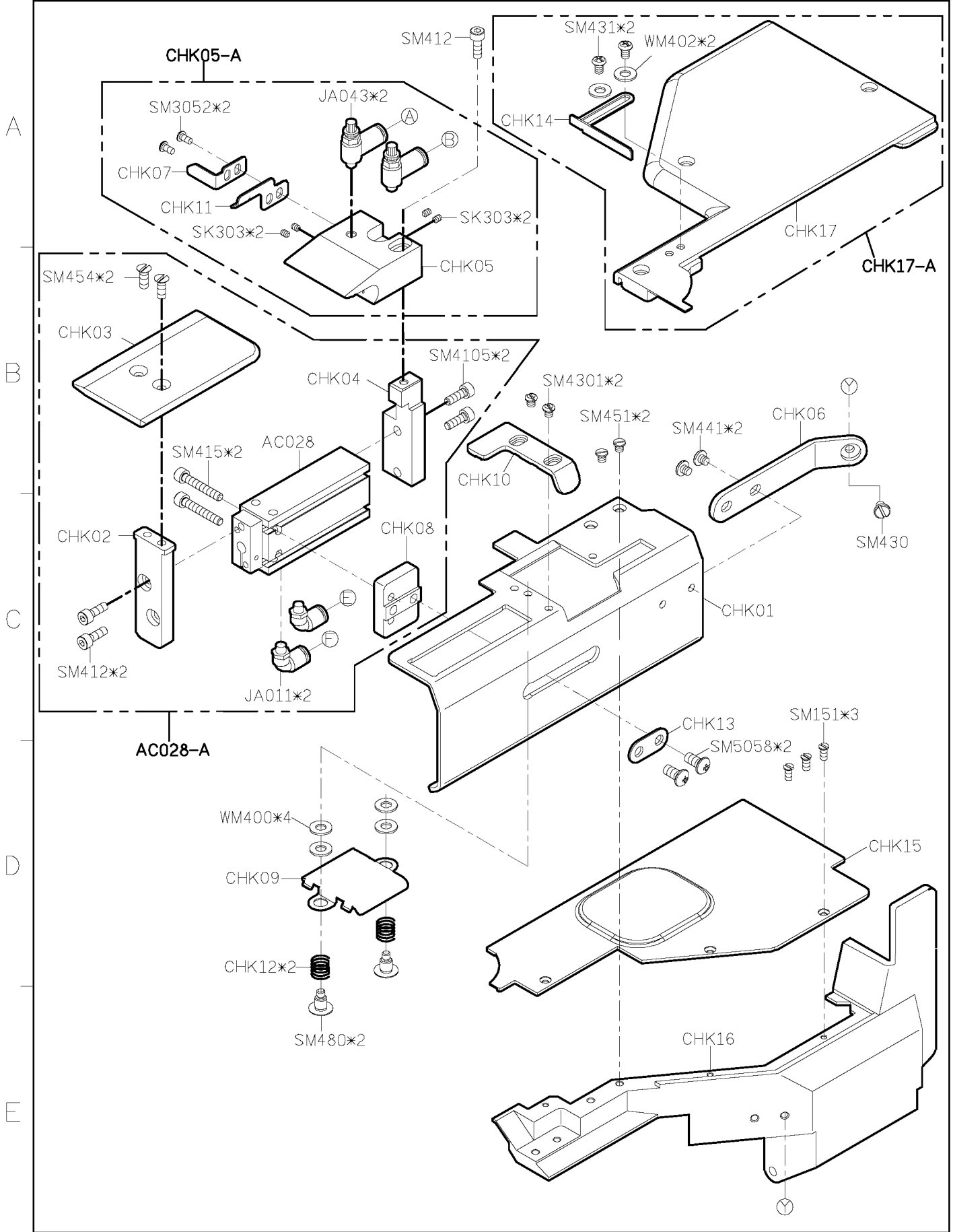
2

3

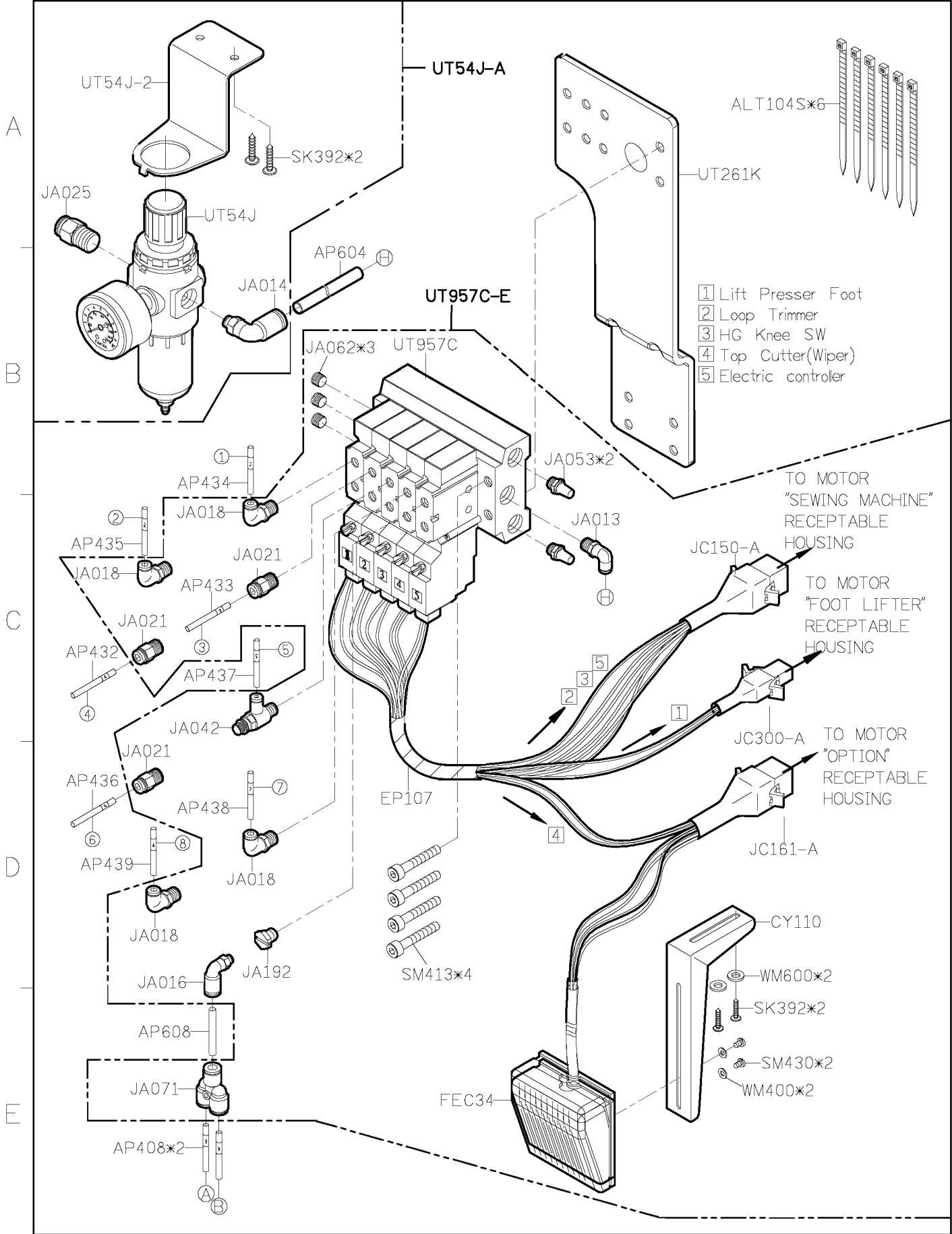
4

5

SIRUBA PARTS LIST	Series	Parts Group	Subclass / Remark	Page
	C007K/C007KD	CHK-K		1/2
	C858K/C858KD			Date
				2012/11/01

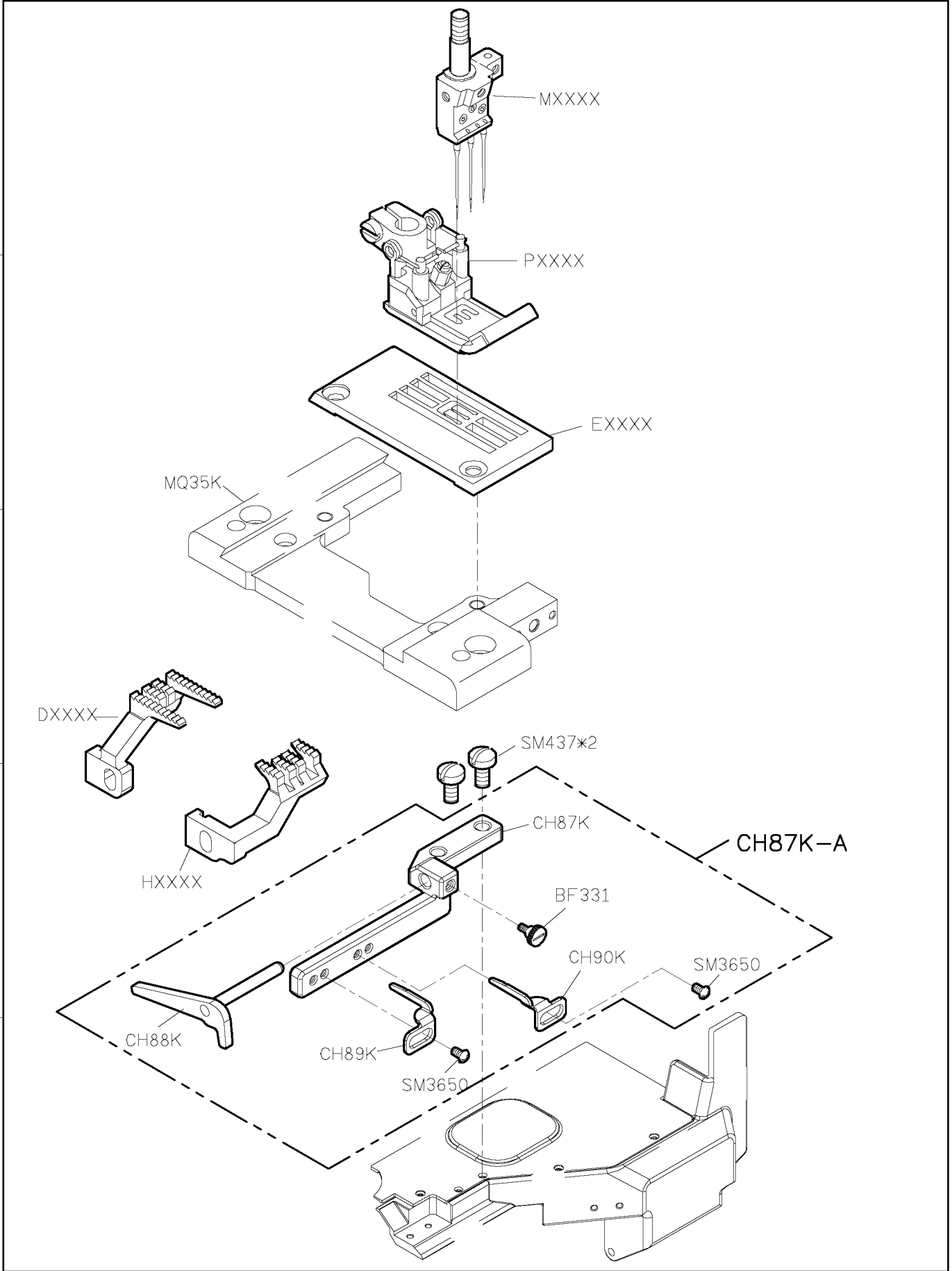


SIRUBA PARTS LIST	Series	Parts Group	Subclass / Remark	Page
	C007K/C007KD	CHK-K		2/2
	C858K/C858KD			Date
				2012/11/01



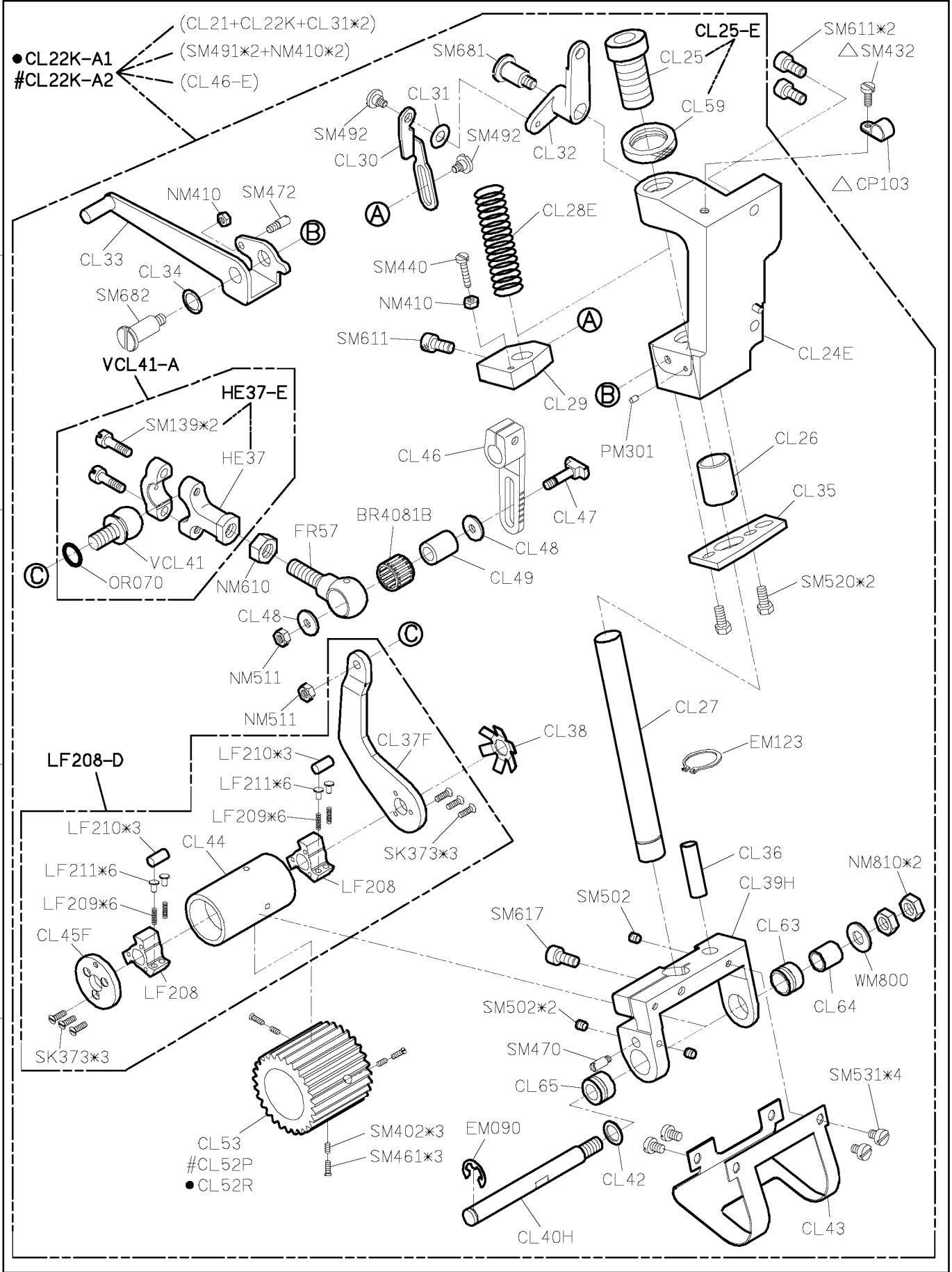
SIRUBA PARTS LIST	Series	Parts Group	Subclass / Remark	Page
	C007K/C007KD	CH-K		1/1
	C858K/C858KD			Date
				2012/11/01

A
B
C
D
E

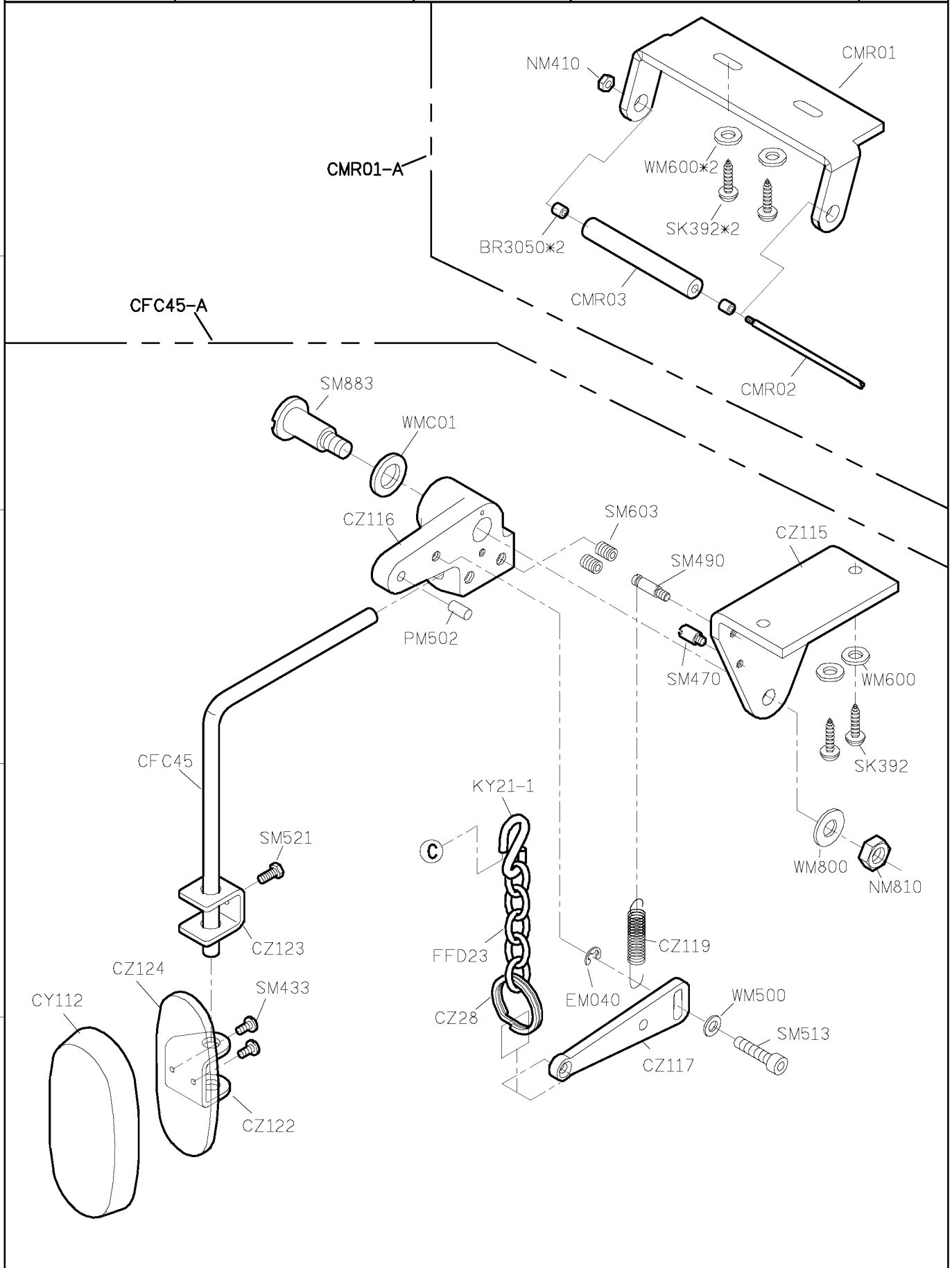


1 2 3 4 5

SIRUBA PARTS LIST	Series	Parts Group	Subclass / Remark	Page
	C007K/C007KD	CL-K	● : Use for CLA	2/2
	C858K/C858KD		△ : Use for UTP/UTQ	Date
			# : Use for allocation	2012/11/01

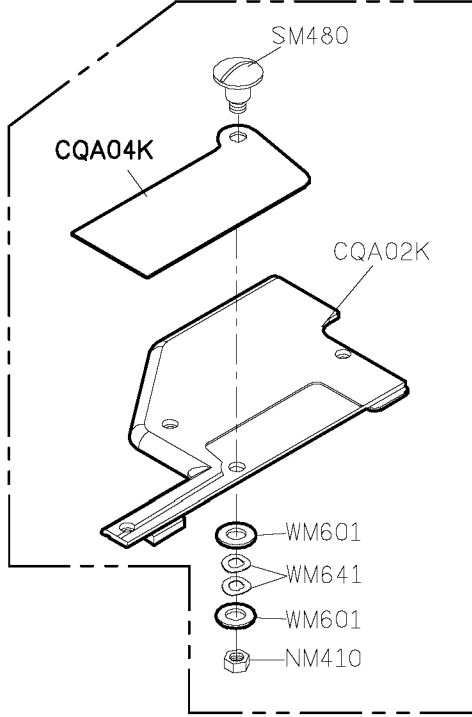


SIRUBA PARTS LIST	Series	Parts Group	Subclass / Remark	Page
	C007K/C007KD	CMR-K		1/1
	C858K/C858KD			Date
	S007K/S007KD			2012/11/01

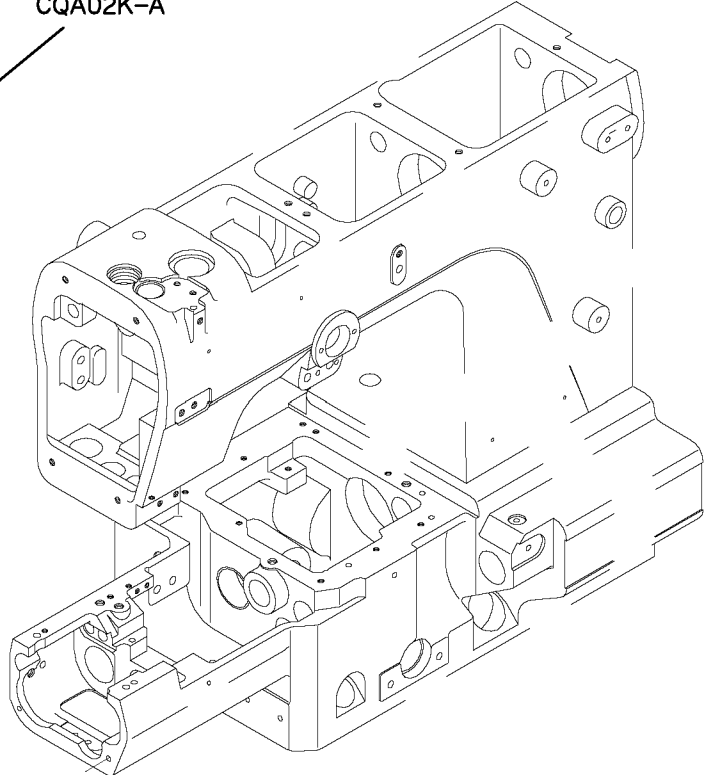


SIRUBA PARTS LIST	Series	Parts Group	Subclass / Remark	Page
	C007K/C007KD	CQA-K		1/2
	C858K/C858KD			Date
				2012/11/01

A



CQA02K-A

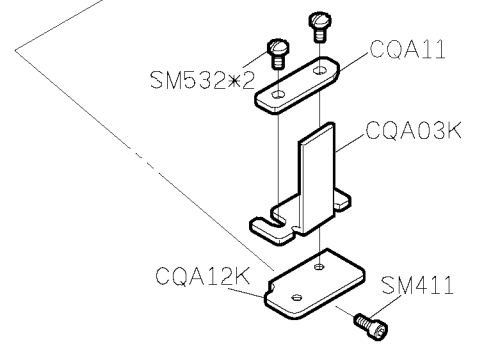
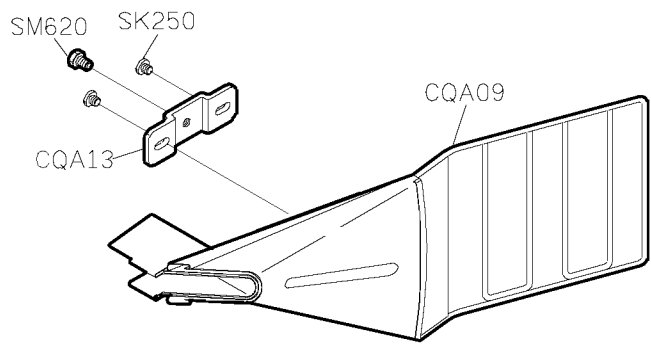
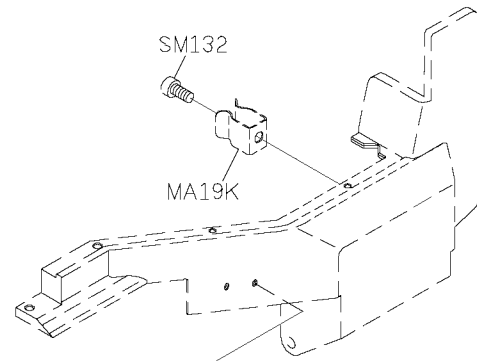
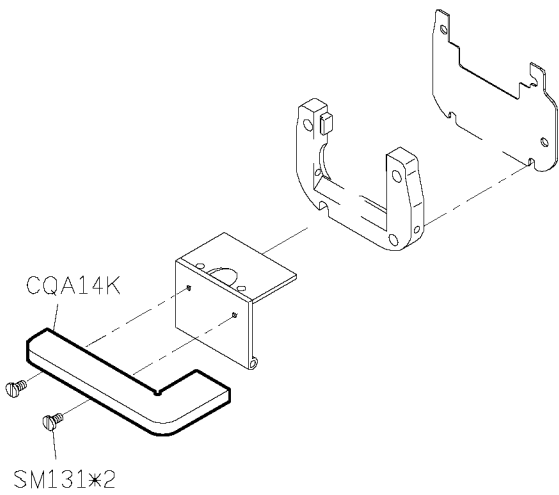


B

C

D

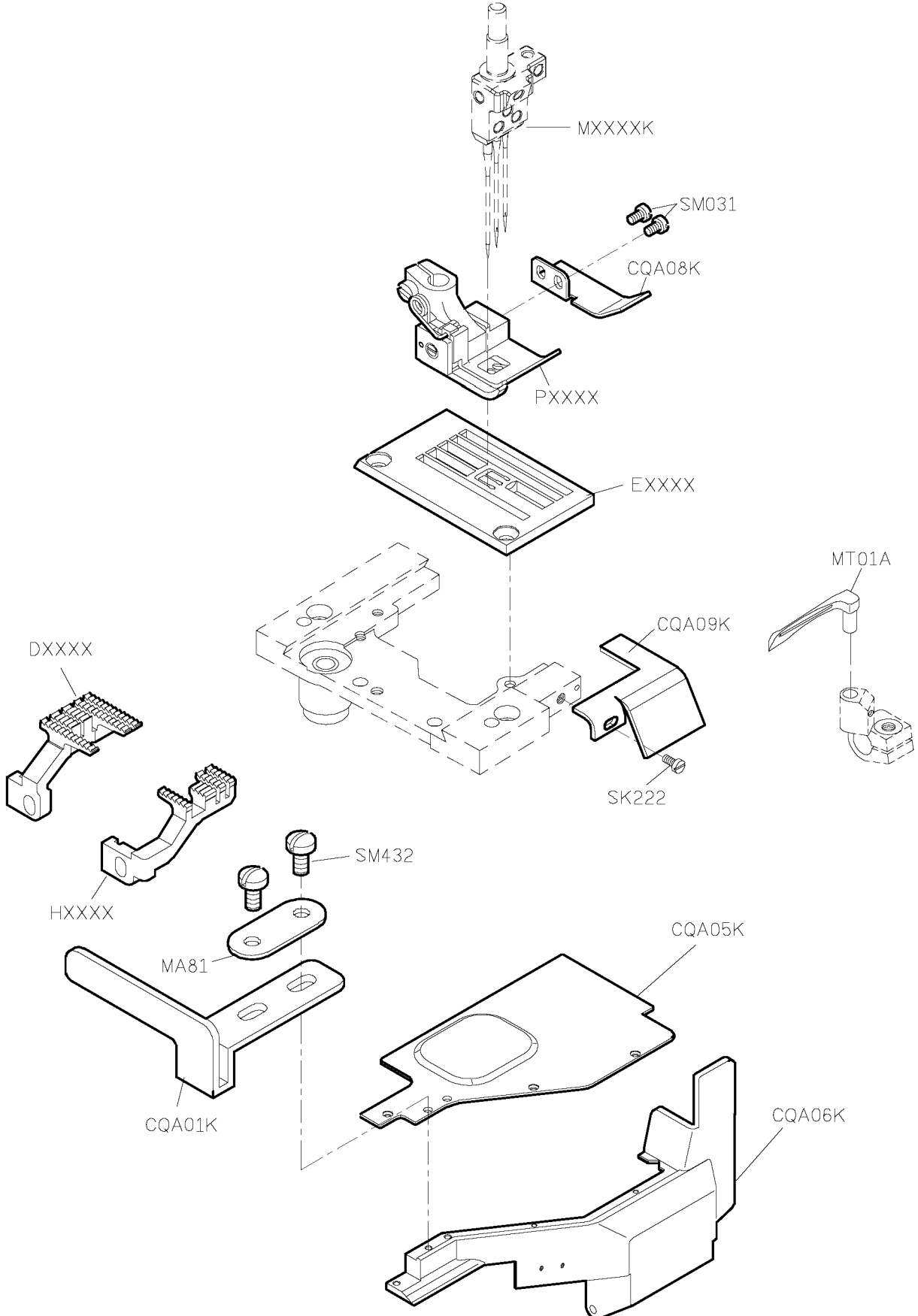
E



1 2 3 4 5

SIRUBA PARTS LIST	Series	Parts Group	Subclass / Remark	Page
	C007K/C007KD	CQA-K		2/2
	C858K/C858KD			Date
				2012/11/01

A
B
C
D
E



1 2 3 4 5

SIRUBA PARTS LIST	Series	Parts Group	Subclass / Remark	Page
	C007K/C007KD	CQ-K		1/1
	C858K/C858KD			Date
		2012/11/01		

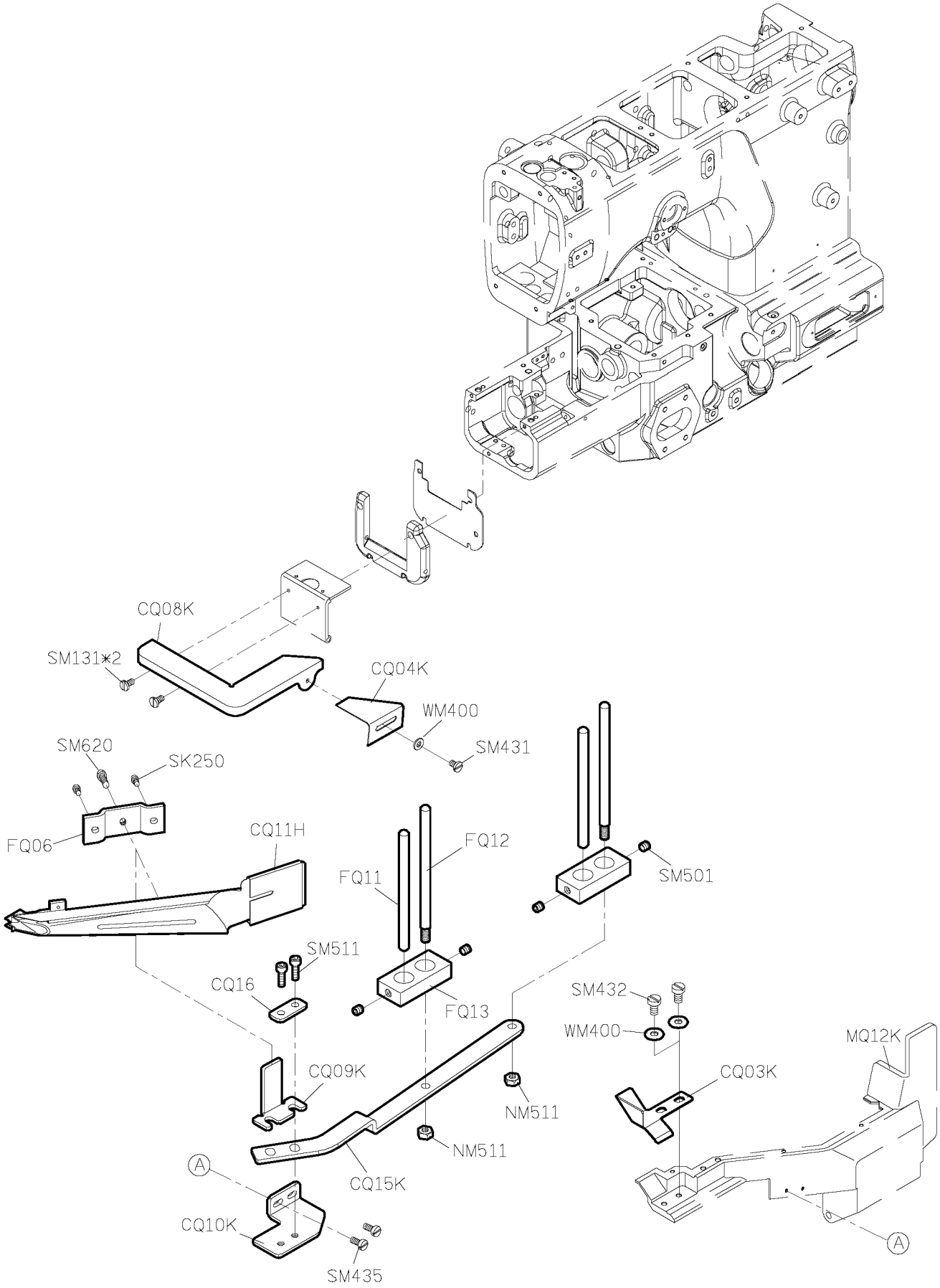
A

B

C

D

E



1

2

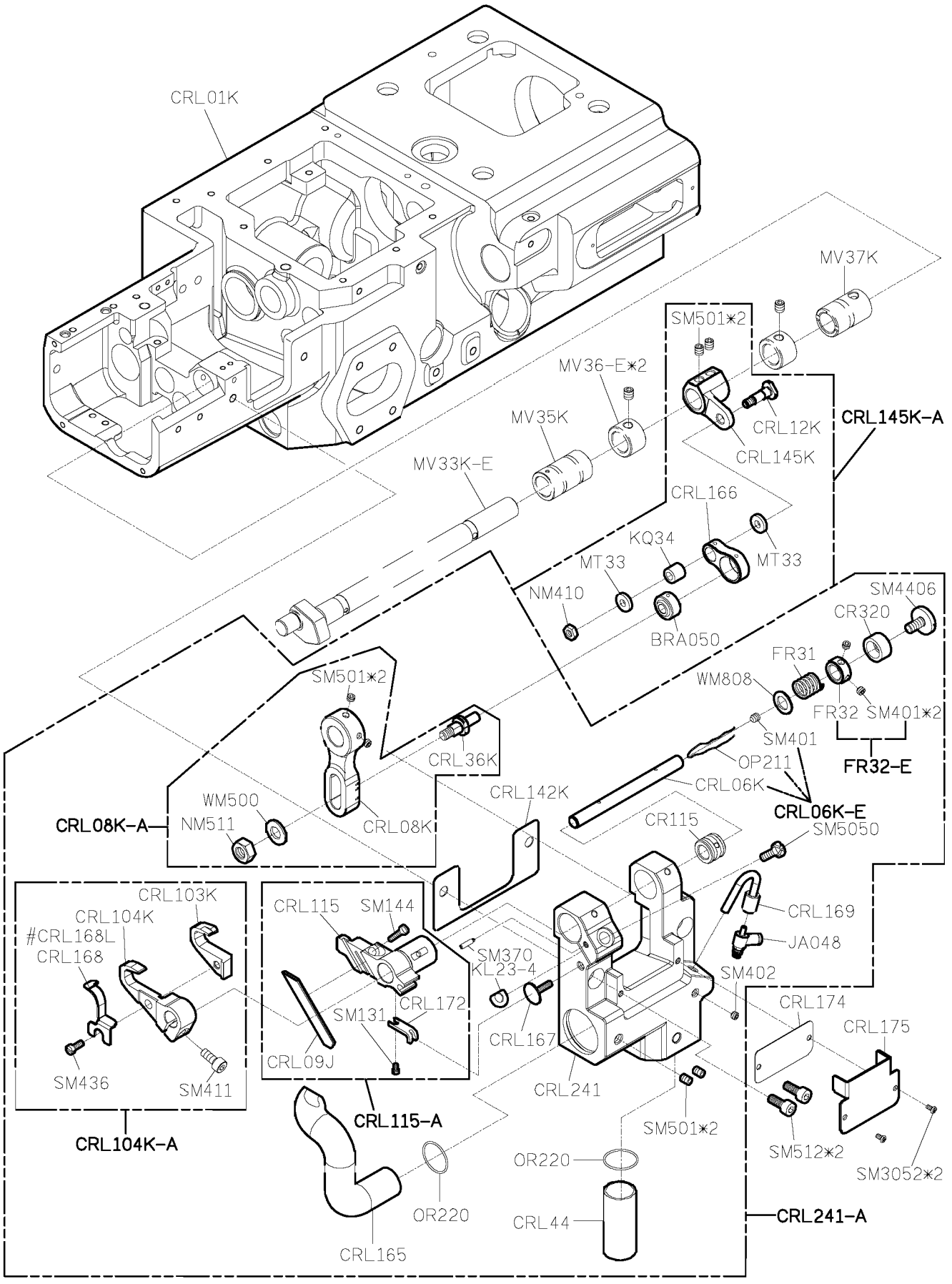
3

4

5

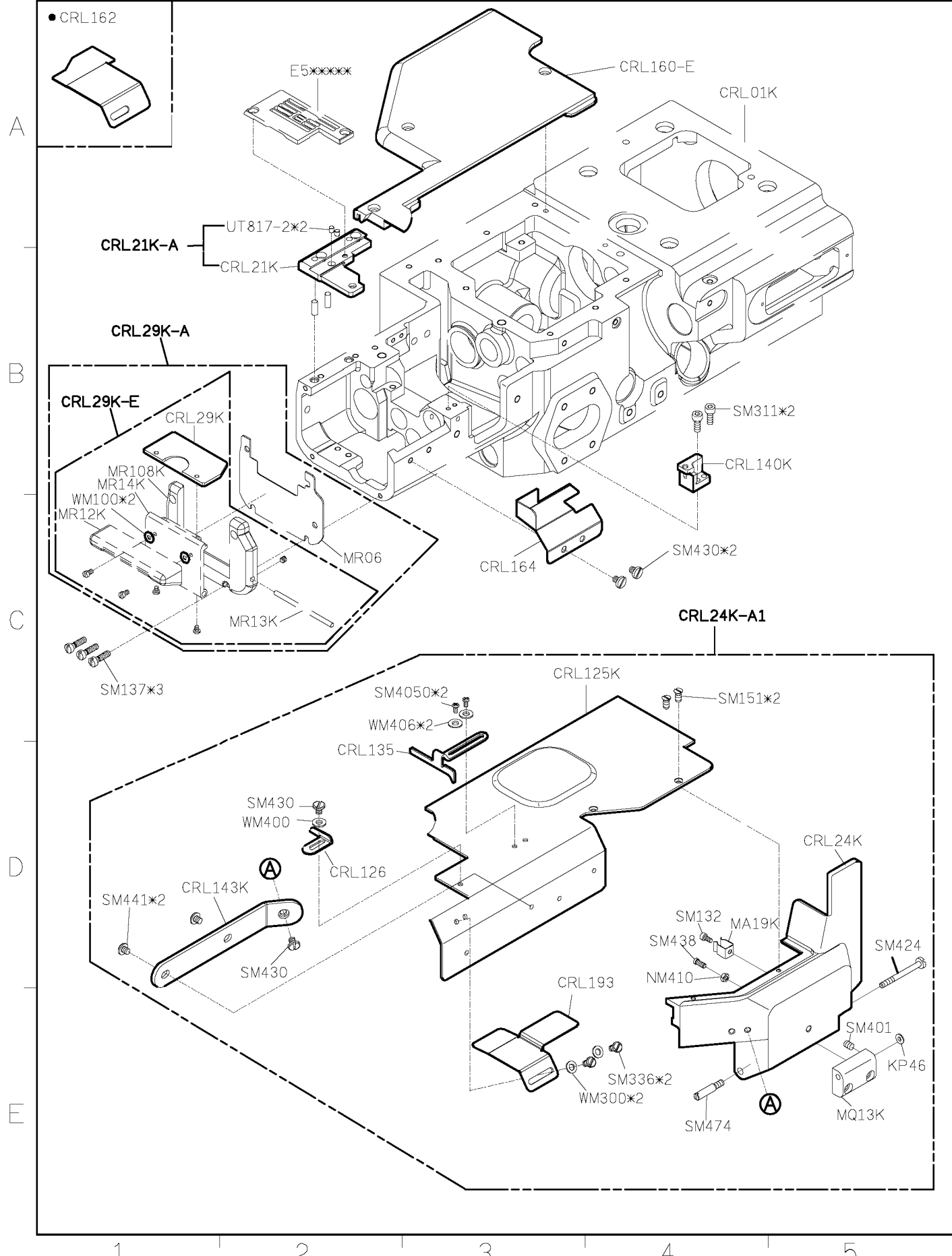
SIRUBA PARTS LIST	Series	Parts Group	Subclass / Remark	Page
	C007K/C007KD C858K/C858KD	CRL-K	# Use for attached in the accessory case of thin fabric	1/4
				Date 2012/11/01

A
B
C
D
E

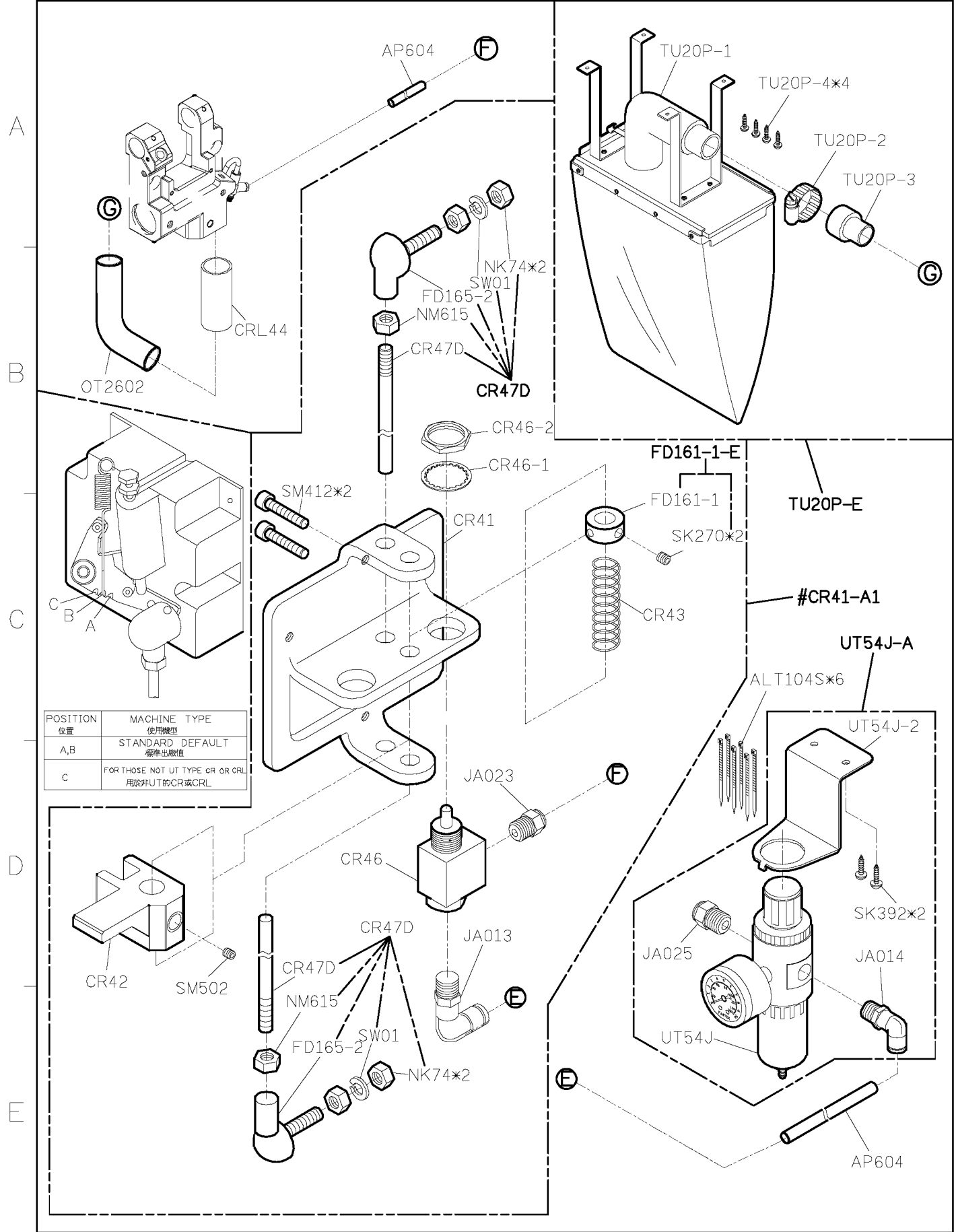


1 2 3 4 5

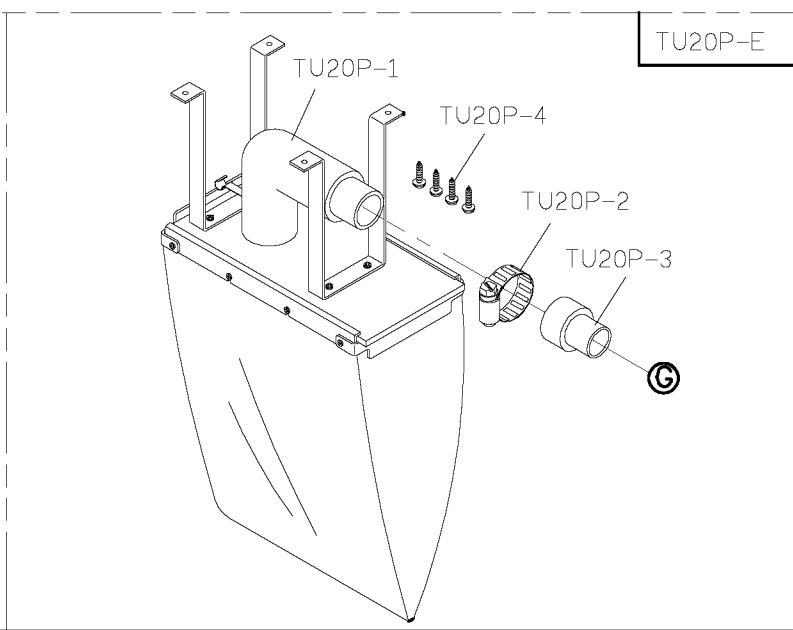
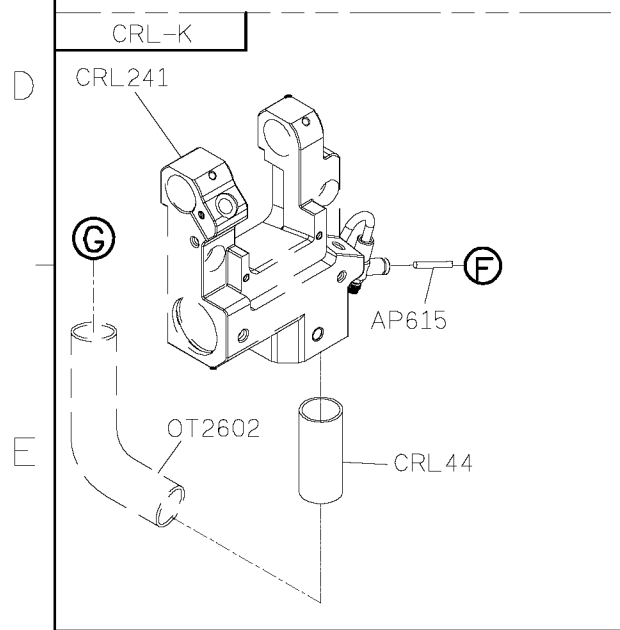
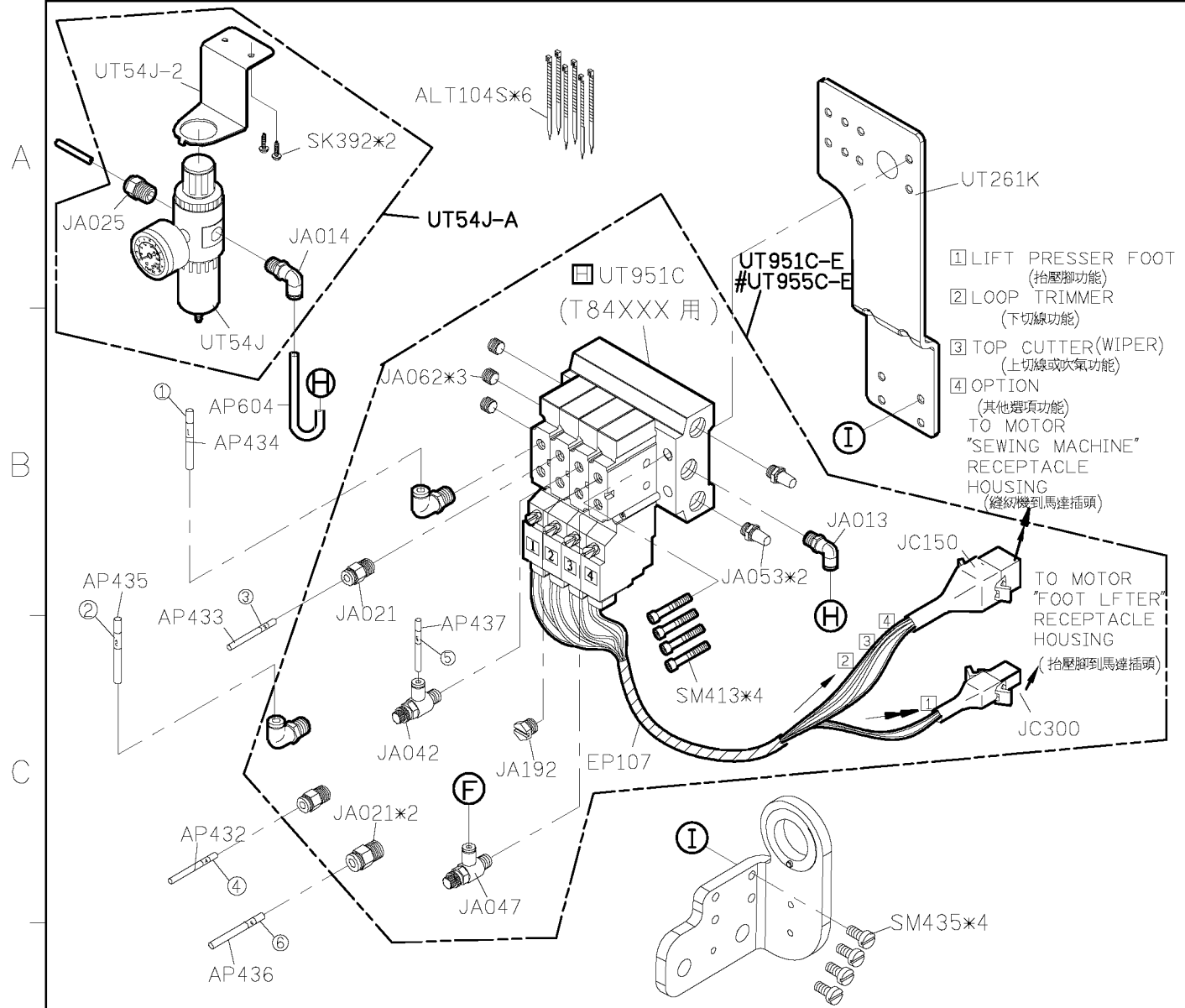
SIRUBA PARTS LIST	Series	Parts Group	Subclass / Remark	Page
	C007K/C007KD C858K/C858KD	CRL-K	●:Use for general machine to re-equip	2/4
				Date
				2012/11/01



SIRUBA PARTS LIST	Series	Parts Group	Subclass / Remark	Page
	C007K/C007KD C858K/C858KD	CRL-K	# UTP/UTQ is not collocatec with	3/4
				Date
				2012/11/01



SIRUBA PARTS LIST	Series	Parts Group	Subclass / Remark	Page
	C007K/C007KD C858K/C858KD	CRL-K	☐ : Use for H brand motor (HVP-20)	4/4
			‡ Use for C007KD/858KD-CRL	Date
			2012/11/01	



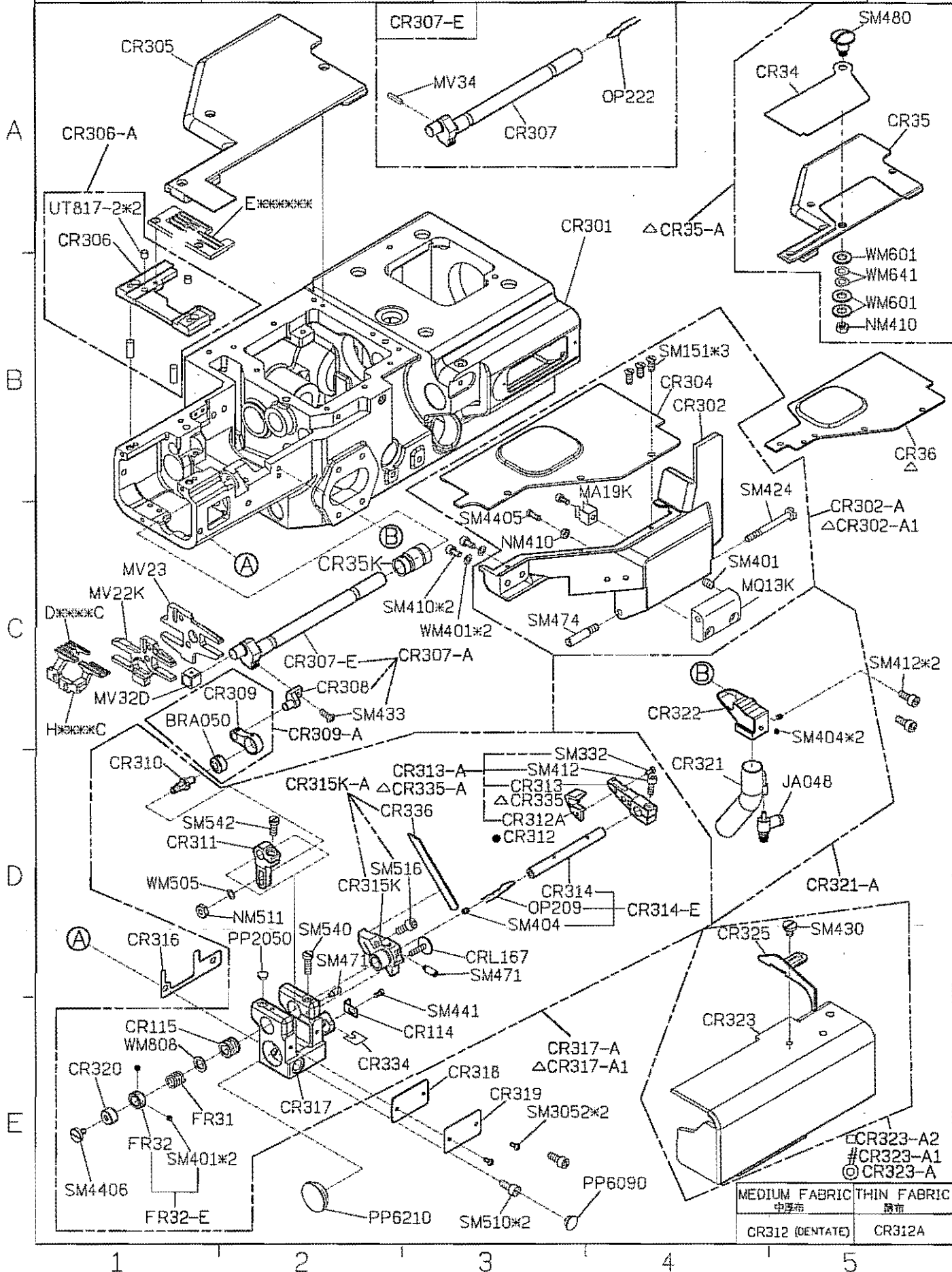
SIRUBA
PARTS LIST

Series
C007K/C007KD
C858K/C858KD

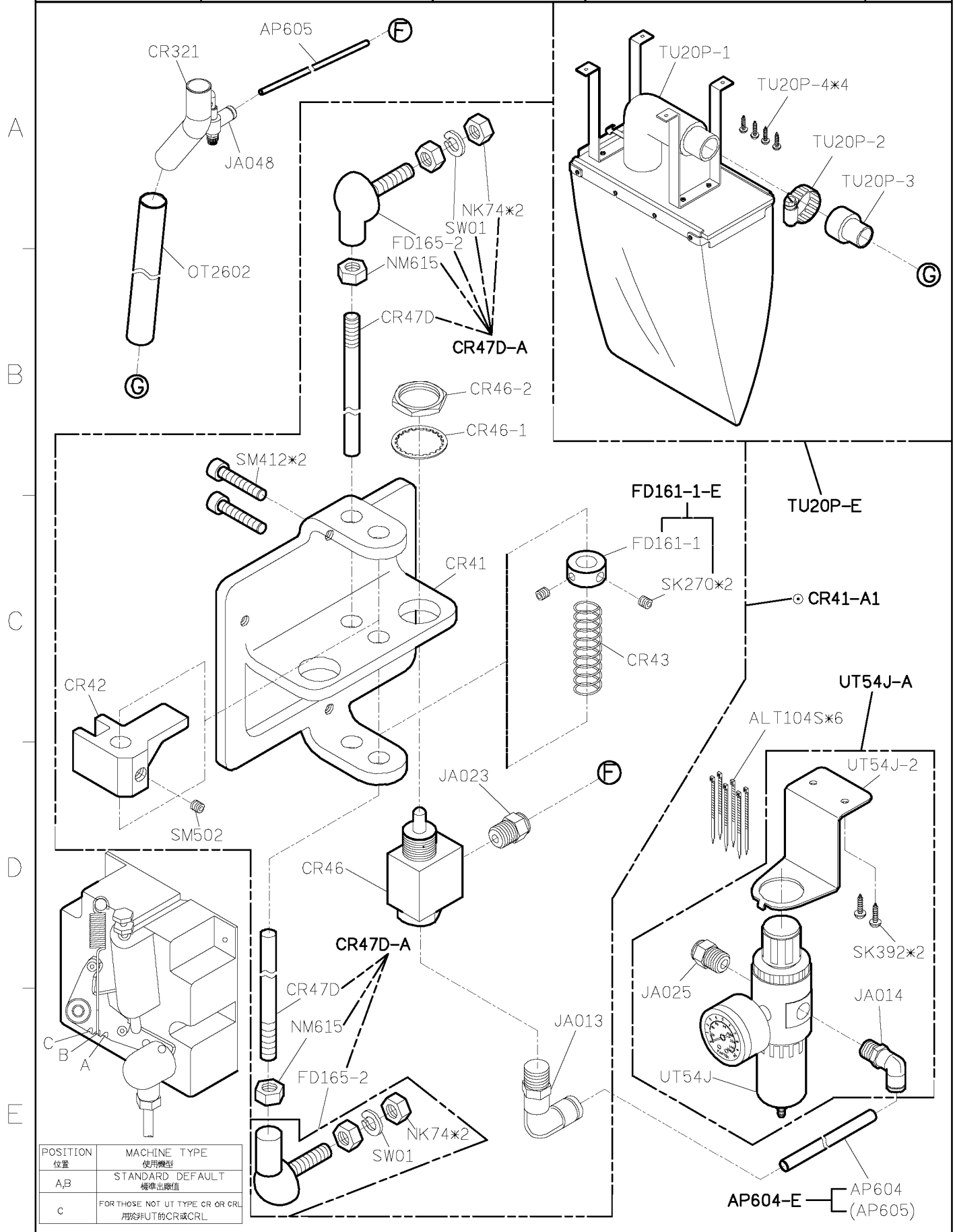
Parts Group
CR-K

Subclass / Remark
□ : Use for Basic CR
: Use for CX
◎ : Use for CR/CX
△ : Use for attach FFC
● : Use for allocation

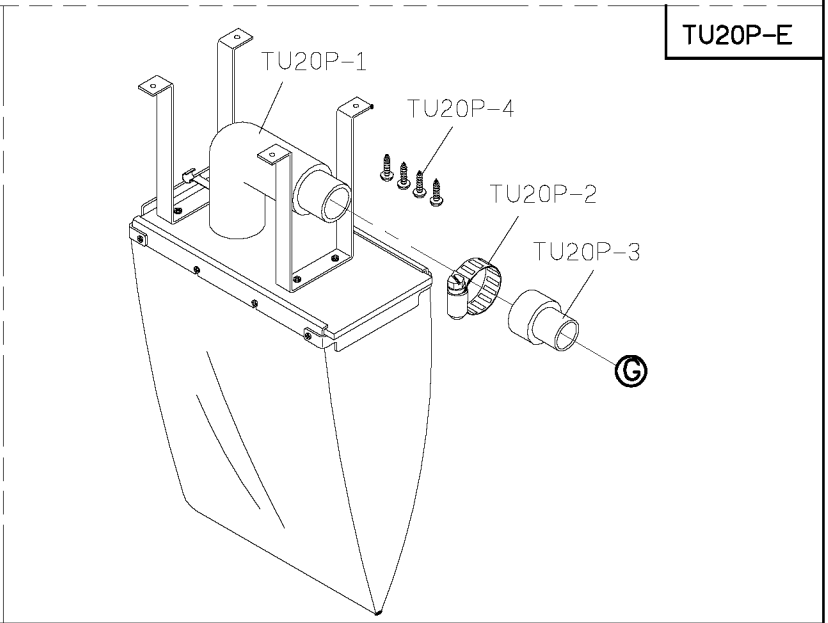
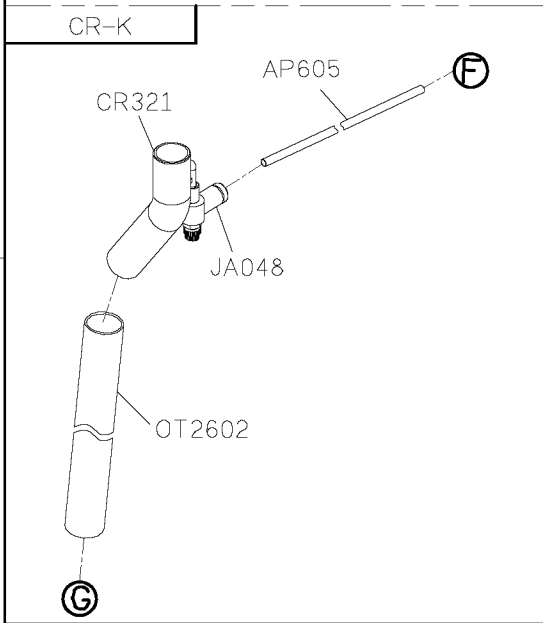
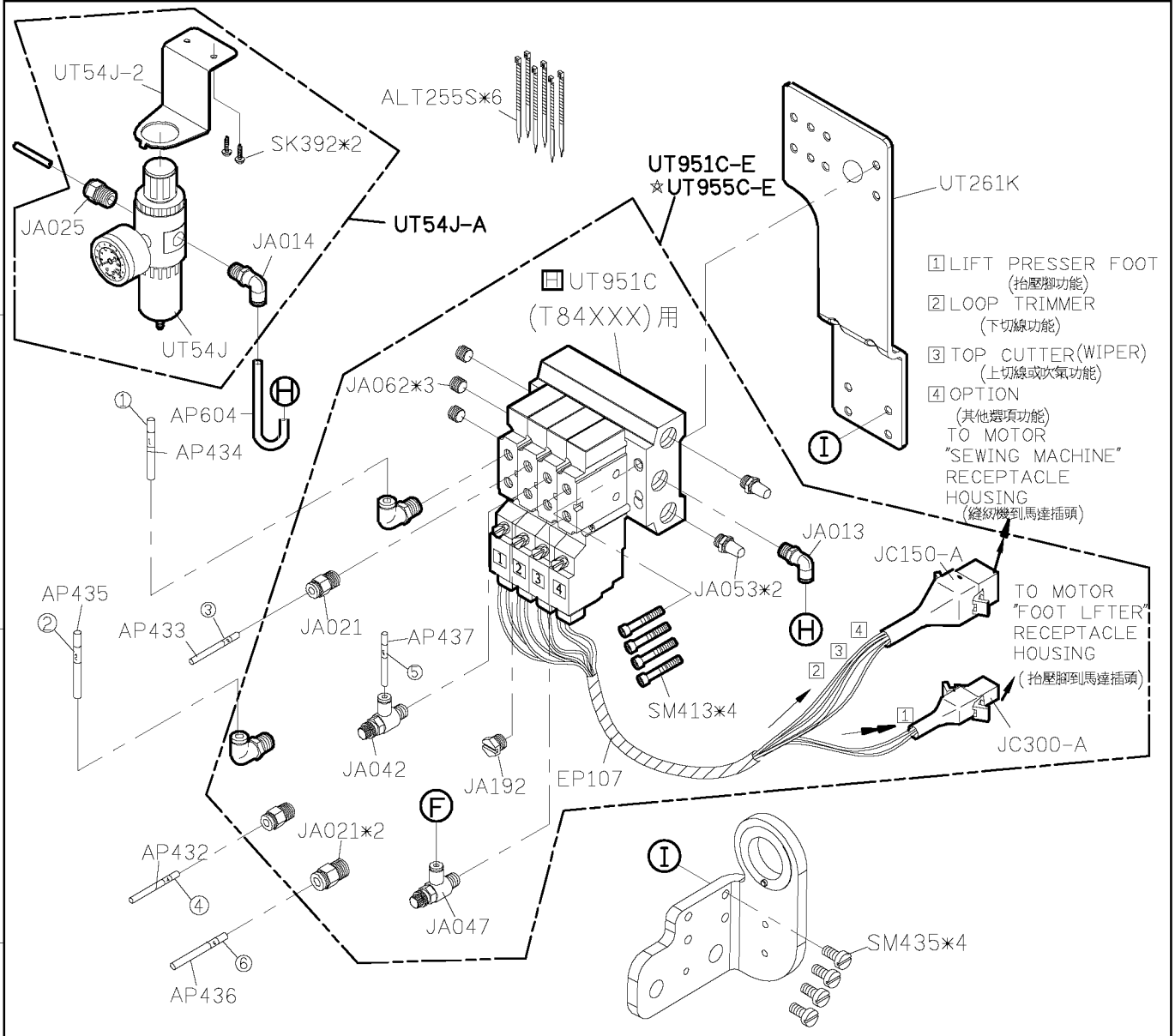
Page
1/3
Date
2012/11/01



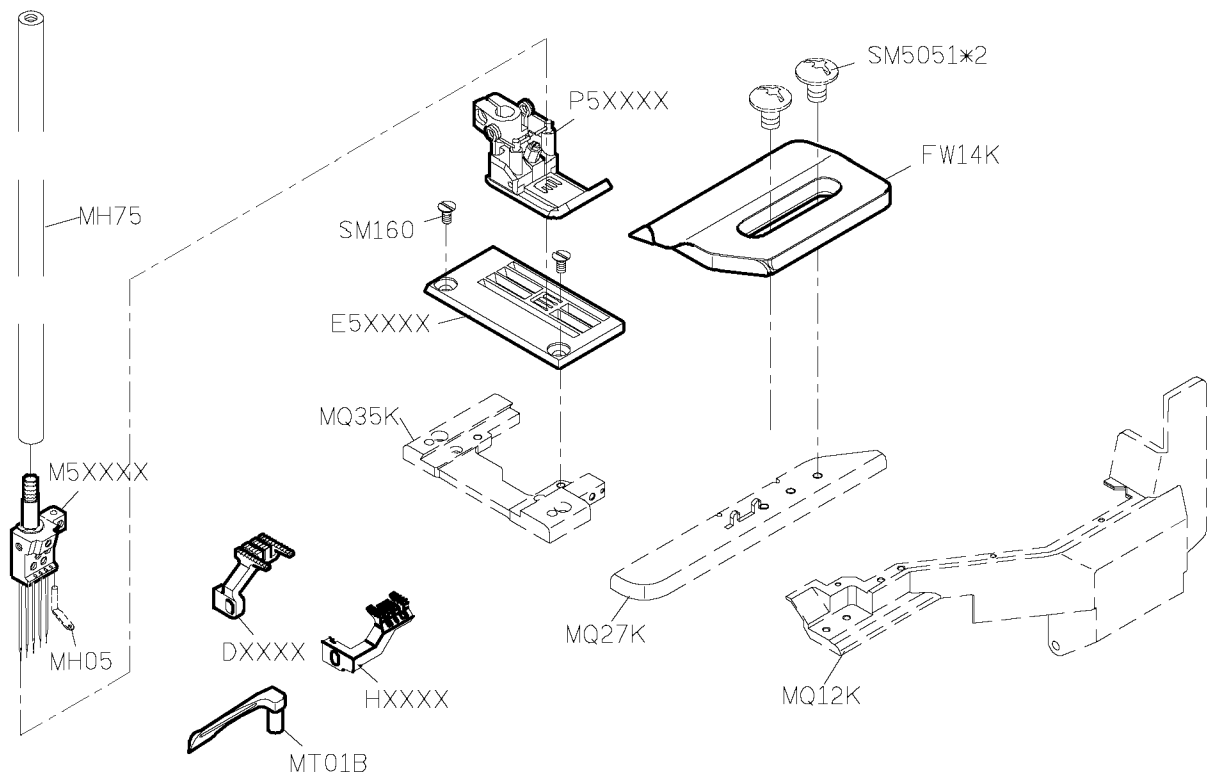
SIRUBA PARTS LIST	Series	Parts Group	Subclass / Remark	Page
	C007K/C007KD C858K/C858KD	CR-K	◉ : UTP/UTQ is not collocatec with	2/3
				Date
				2012/11/01



SIRUBA PARTS LIST	Series	Parts Group	Subclass / Remark	Page
	C007K/C007KD C858K/C858KD	CR-K	☐ : Use for H brand motor (HVP-20)	3/3
			☆ : Use for C007KD-CR(CX)/C858KD-CR(CX)	Date
				2012/11/01



SIRUBA PARTS LIST	Series	Parts Group	Subclass / Remark	Page
	C007K/C007KD	CW-K		1/3
	C858K/C858KD			Date
				2012/11/01



1 2 3 4 5

SIRUBA PARTS LIST	Series	Parts Group	Subclass / Remark	Page
	C007K/C007KD	CW-K		2/3
	C858K/C858KD			Date
				2012/11/01

A

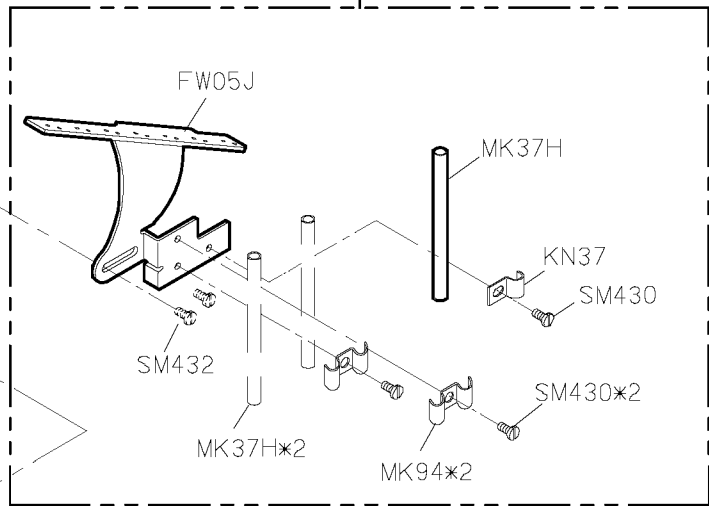
B

C

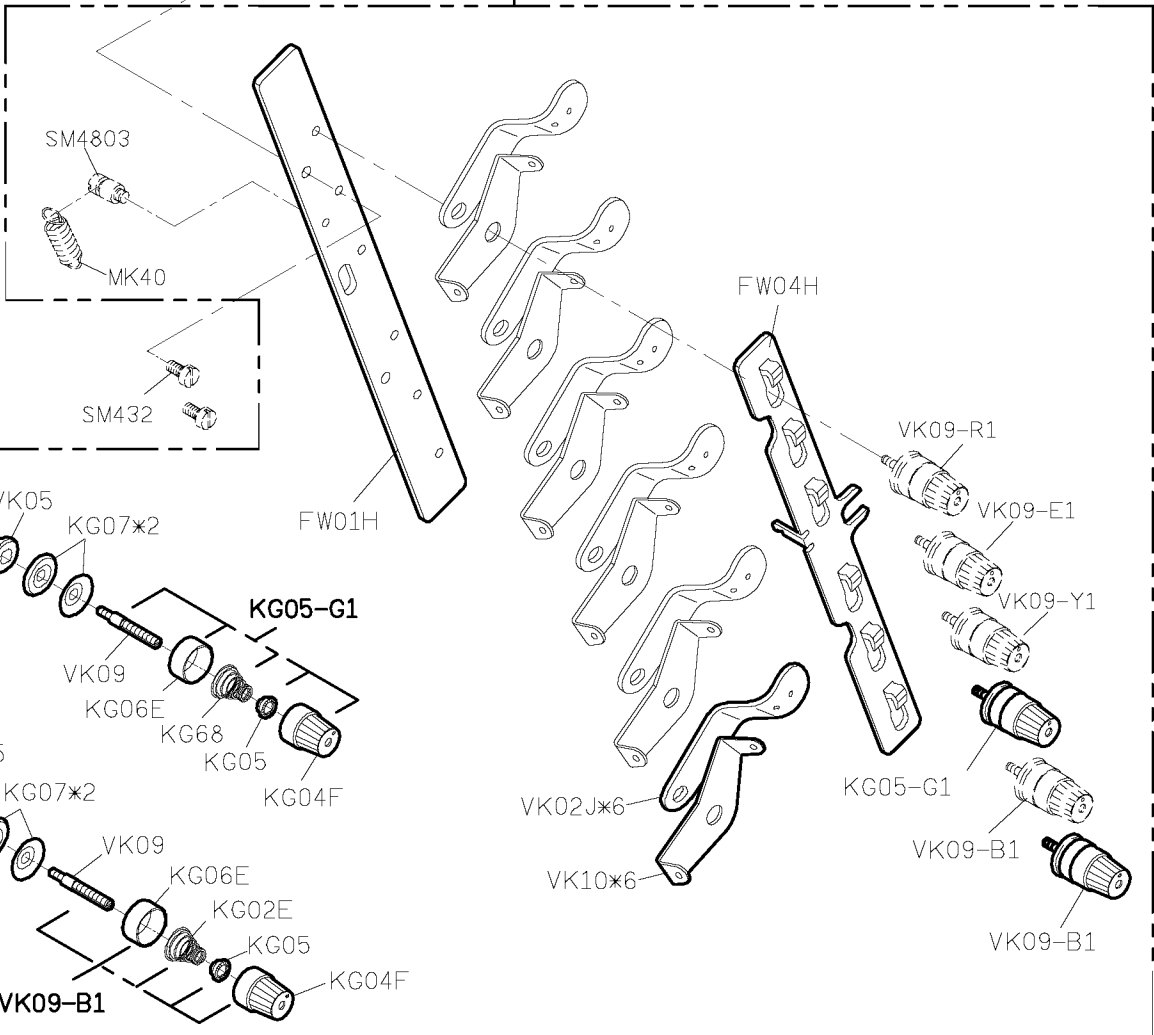
D

E

FW05J-A



FW01J-A



1

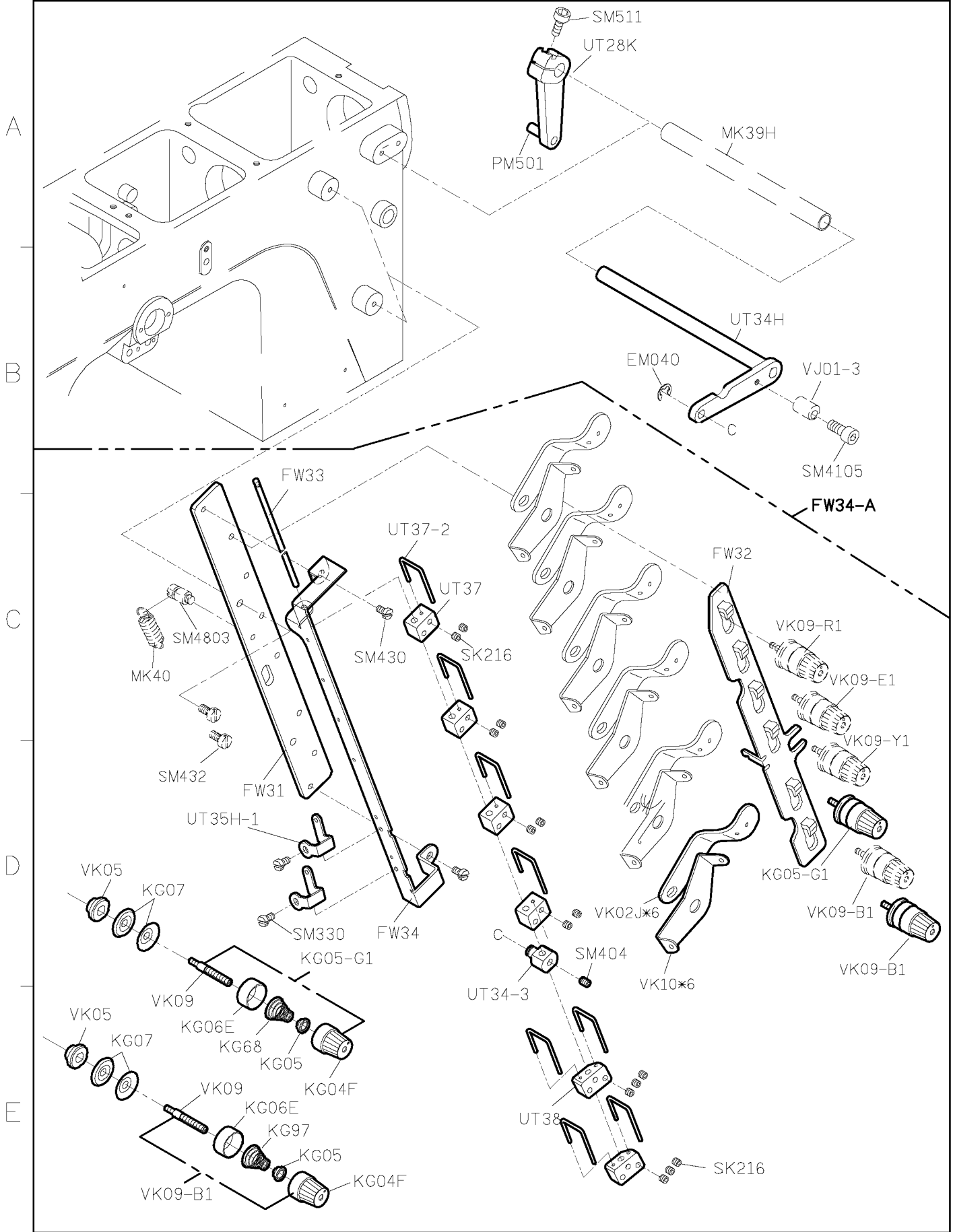
2

3

4

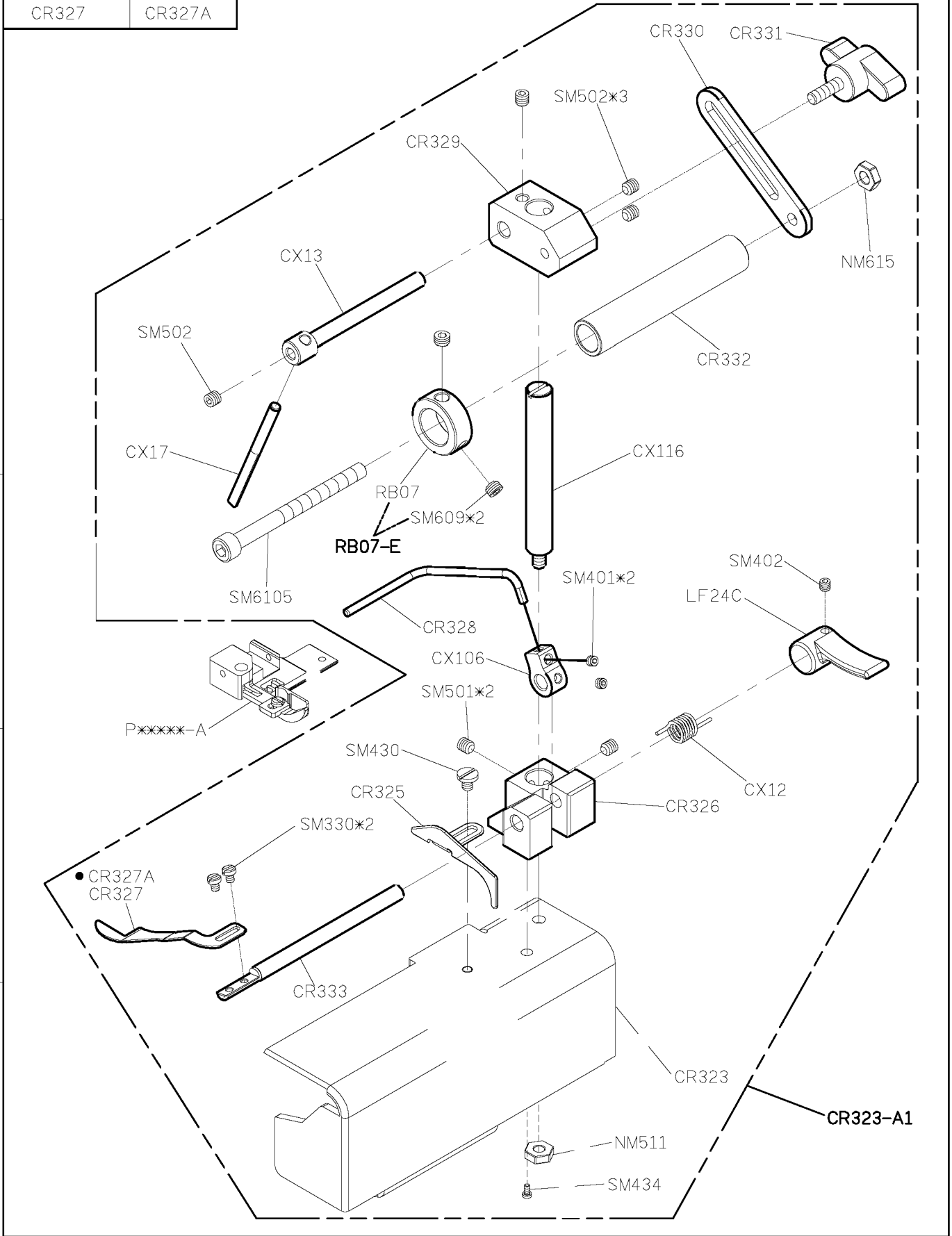
5

SIRUBA PARTS LIST	Series	Parts Group	Subclass / Remark	Page
	C007K/C007KD	CW-K	For UTQ	3/3
	C858K/C858KD			Date
				2012/11/01

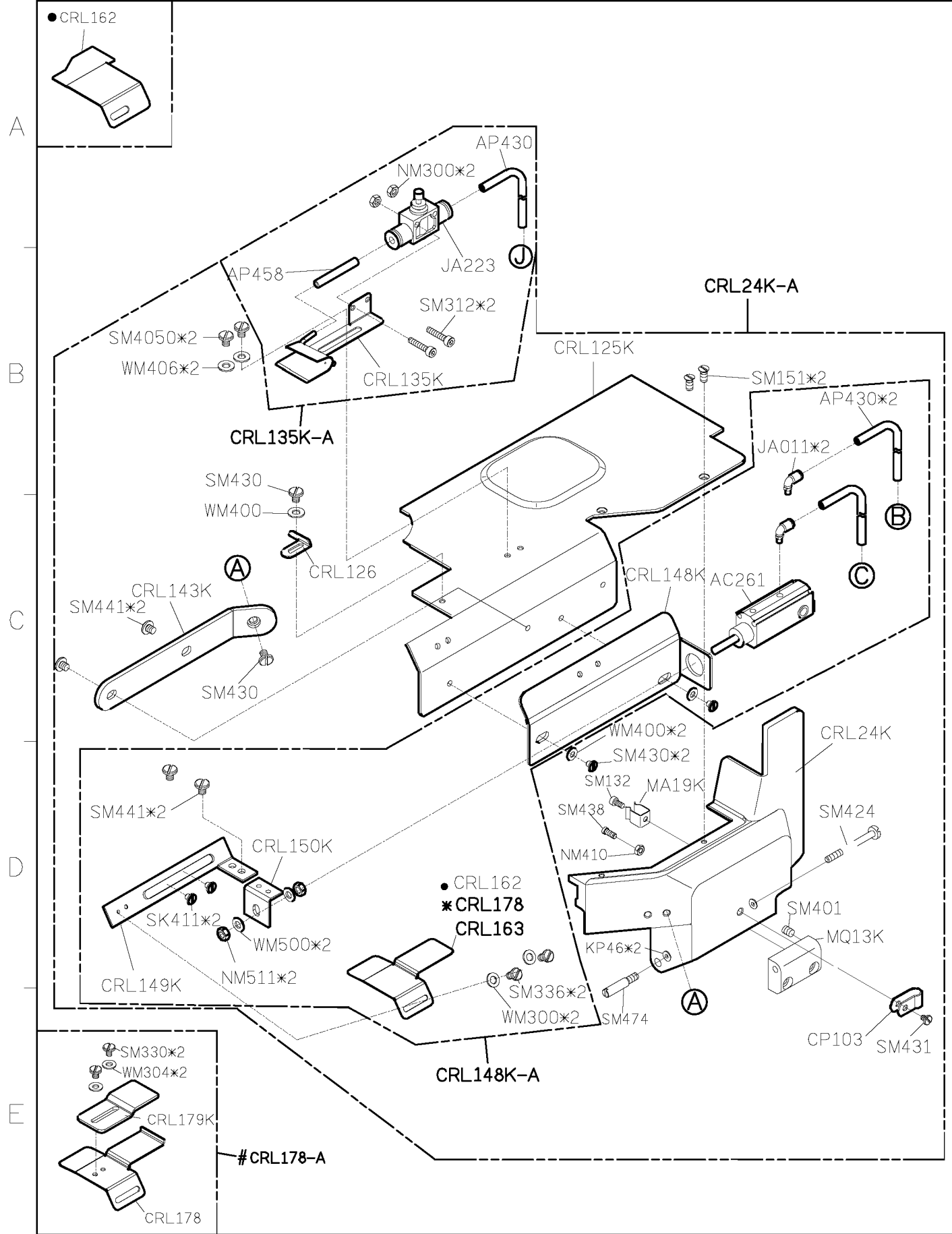


SIRUBA PARTS LIST	Series	Parts Group	Subclass / Remark	Page
	C007K/C007KD	CX-K		1/1
	C858K/C858KD			Date
				2012/11/01

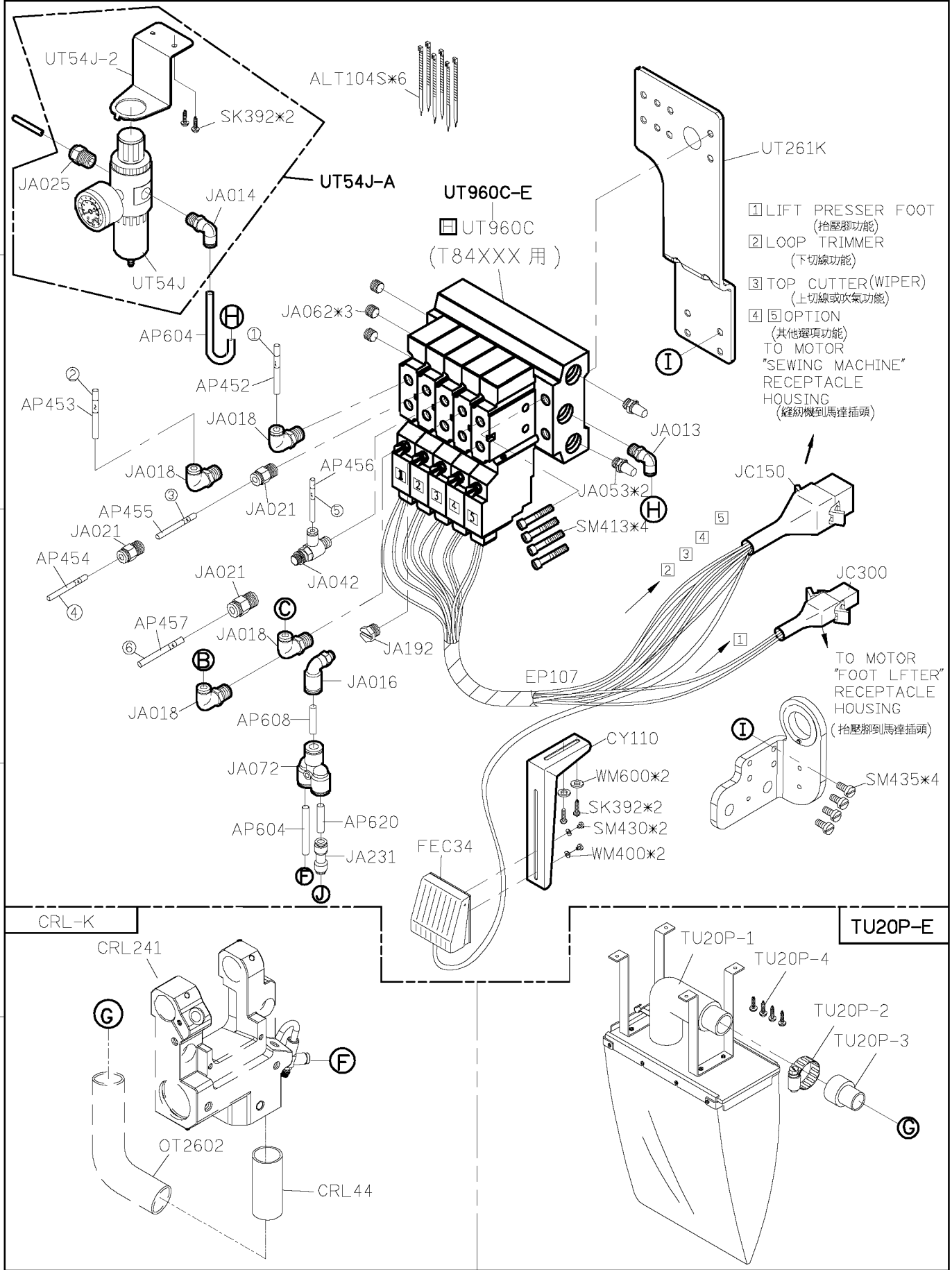
MEDIUM FABRIC 中厚布	THIN FABRIC 薄布
CR327	CR327A



SIRUBA PARTS LIST	Series	Parts Group	Subclass / Remark	Page
	C007K/C007KD	CHP(CY) /UTP-K	Note: Type CHP is collocated with UTP ● : Use for general machine to re-equip #: Use for CY to re-equip	1/2
	C858K/C858KD			Date
	2013/01/09			



SIRUBA PARTS LIST	Series	Parts Group	Subclass / Remark	Page
	C007K/C007KD C858K/C858KD	CHP(CY) /UTP-K	☐ : Use for H brand motor (HVP-20)	2/2
				Date 2013/01/05



SIRUBA PARTS LIST	Series	Parts Group	Subclass / Remark	Page
	C007K/C007KD	CZ-K		2/3
	C858K/C858KD			Date
				2012/11/01

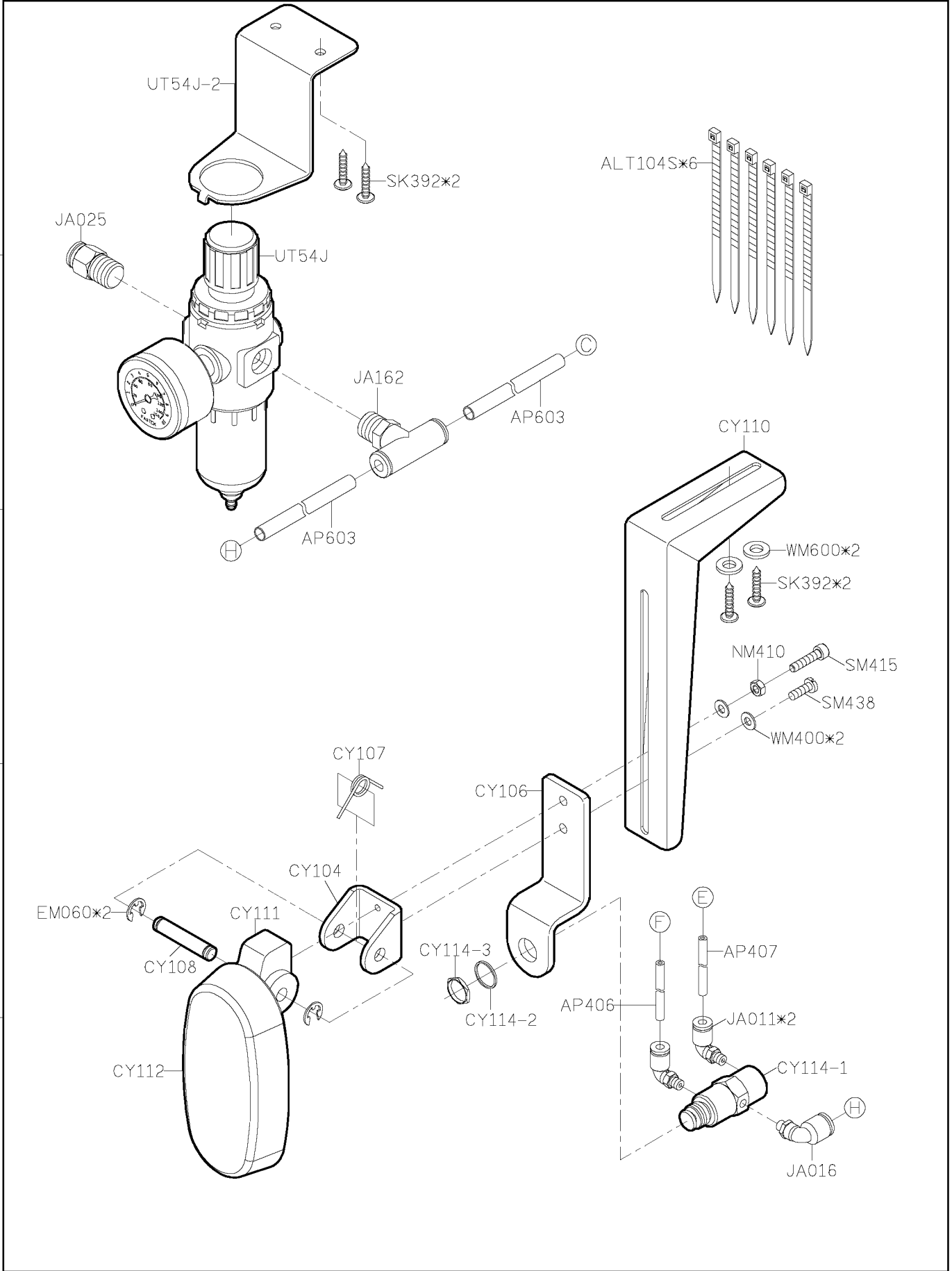
A

B

C

D

E



1

2

3

4

5

SIRUBA PARTS LIST	Series	Parts Group	Subclass / Remark	Page
	C007K/C007KD	CZ-K		3/3
	C858K/C858KD			Date
				2012/11/01

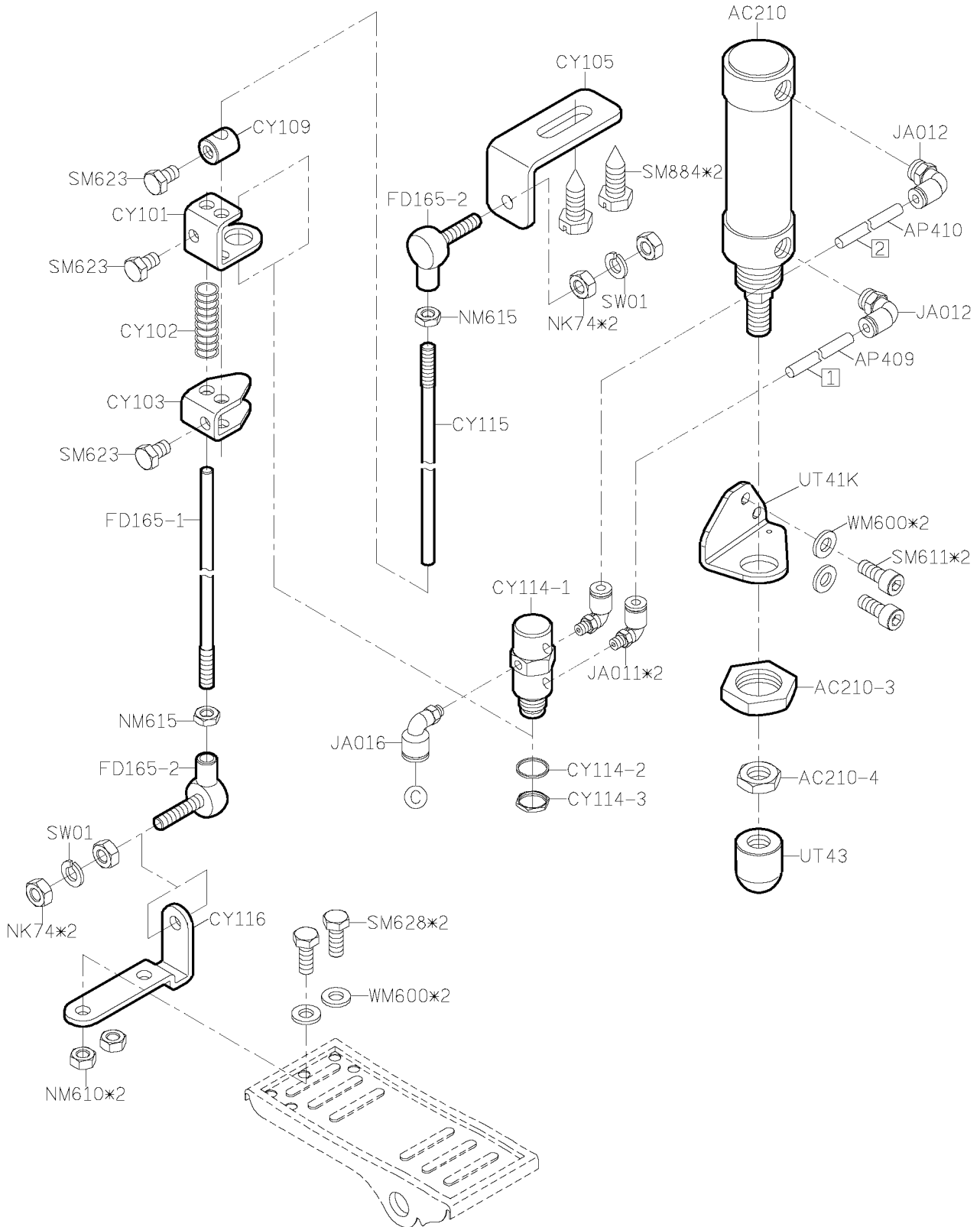
A

B

C

D

E



1

2

3

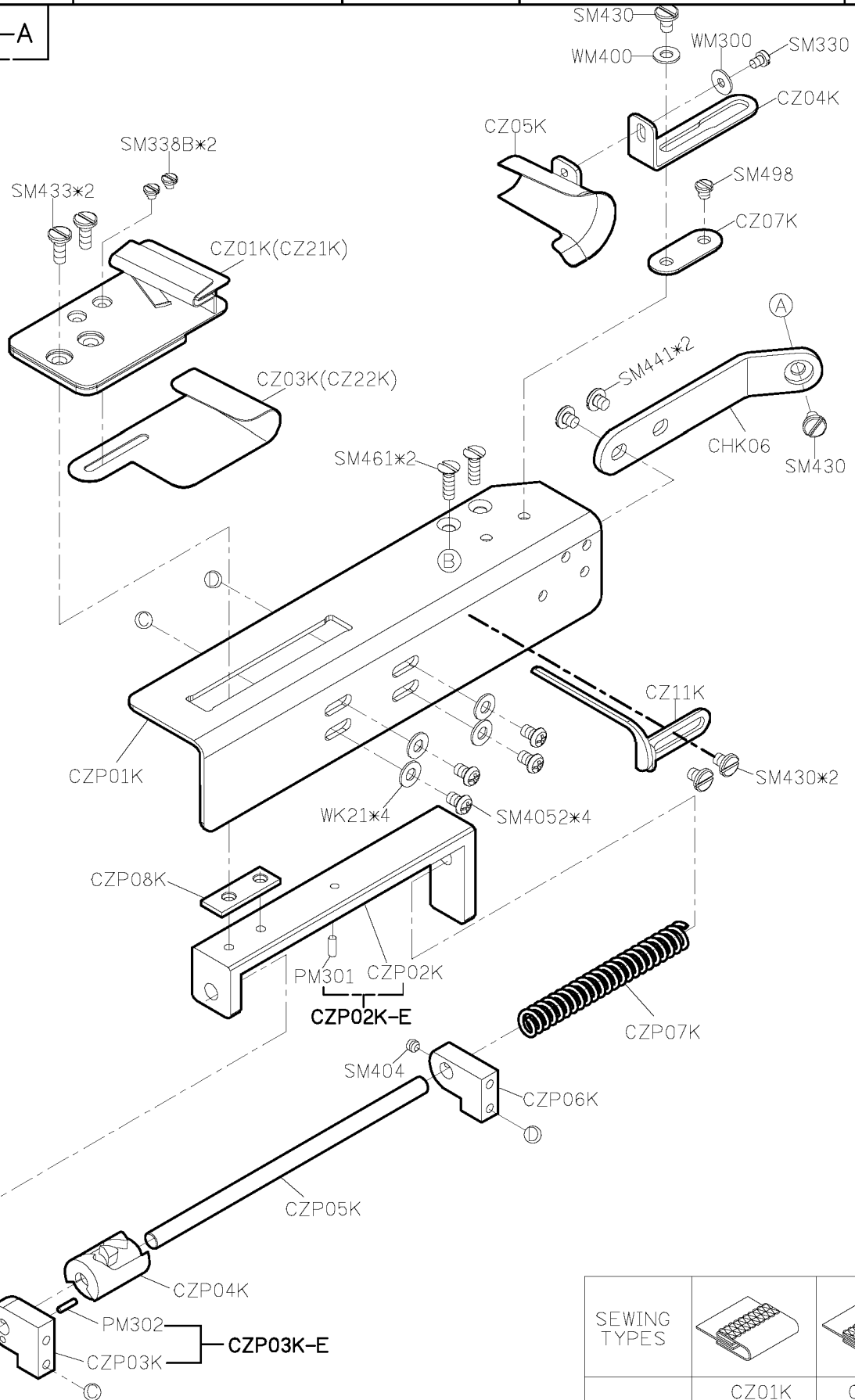
4

5

SIRUBA PARTS LIST	Series	Parts Group	Subclass / Remark	Page
	C007K/C007KD C858K/C858KD	CZP-K		1/3
				Date
				2012/11/01

CZP01K-A

A
B
C
D
E

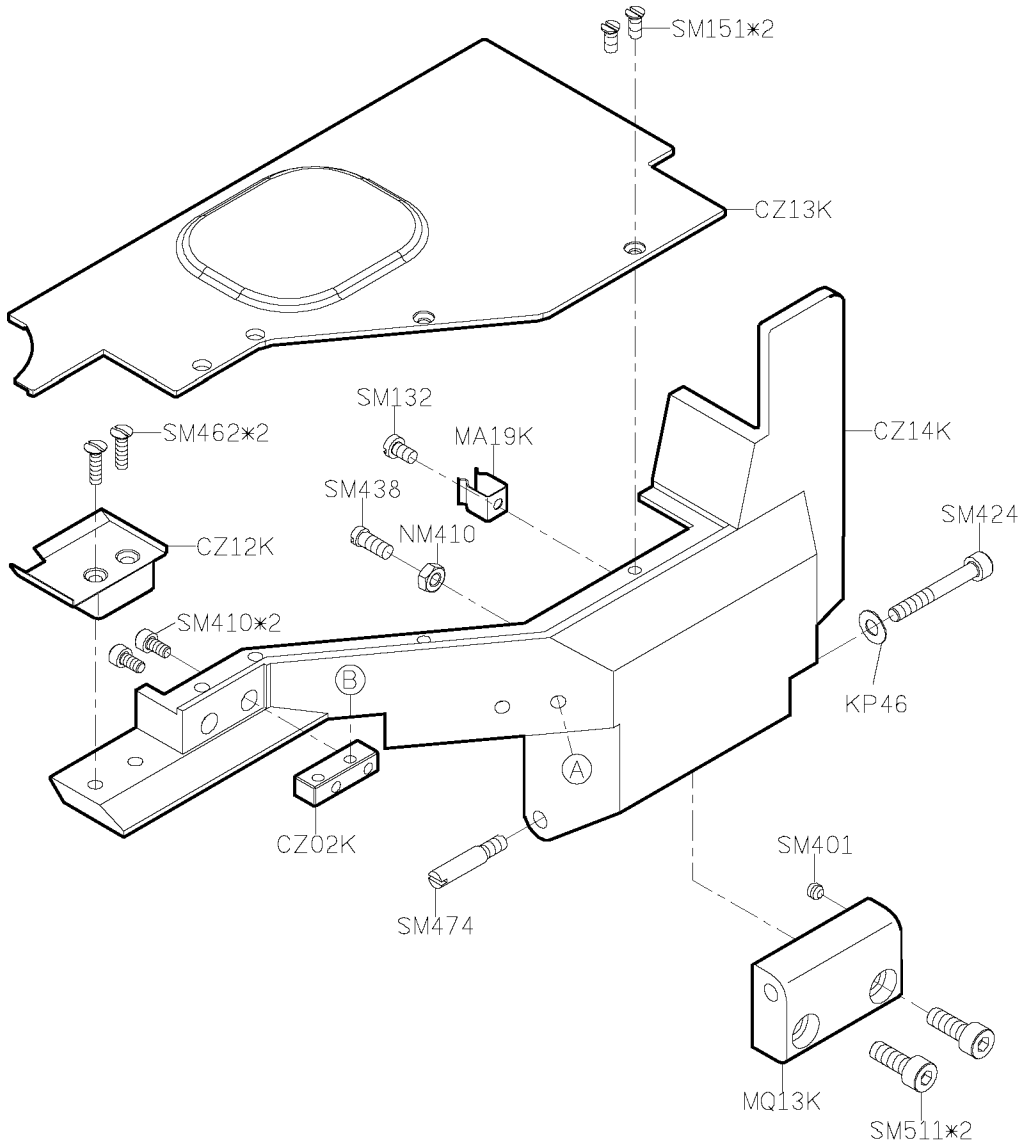


SEWING TYPES		
CODE	CZ01K CZ03K	CZ21K CZ22K

1 2 3 4 5

SIRUBA PARTS LIST	Series	Parts Group	Subclass / Remark	Page
	C007K/C007KD	CZP-K		2/3
	C858K/C858KD			Date
				2012/11/01

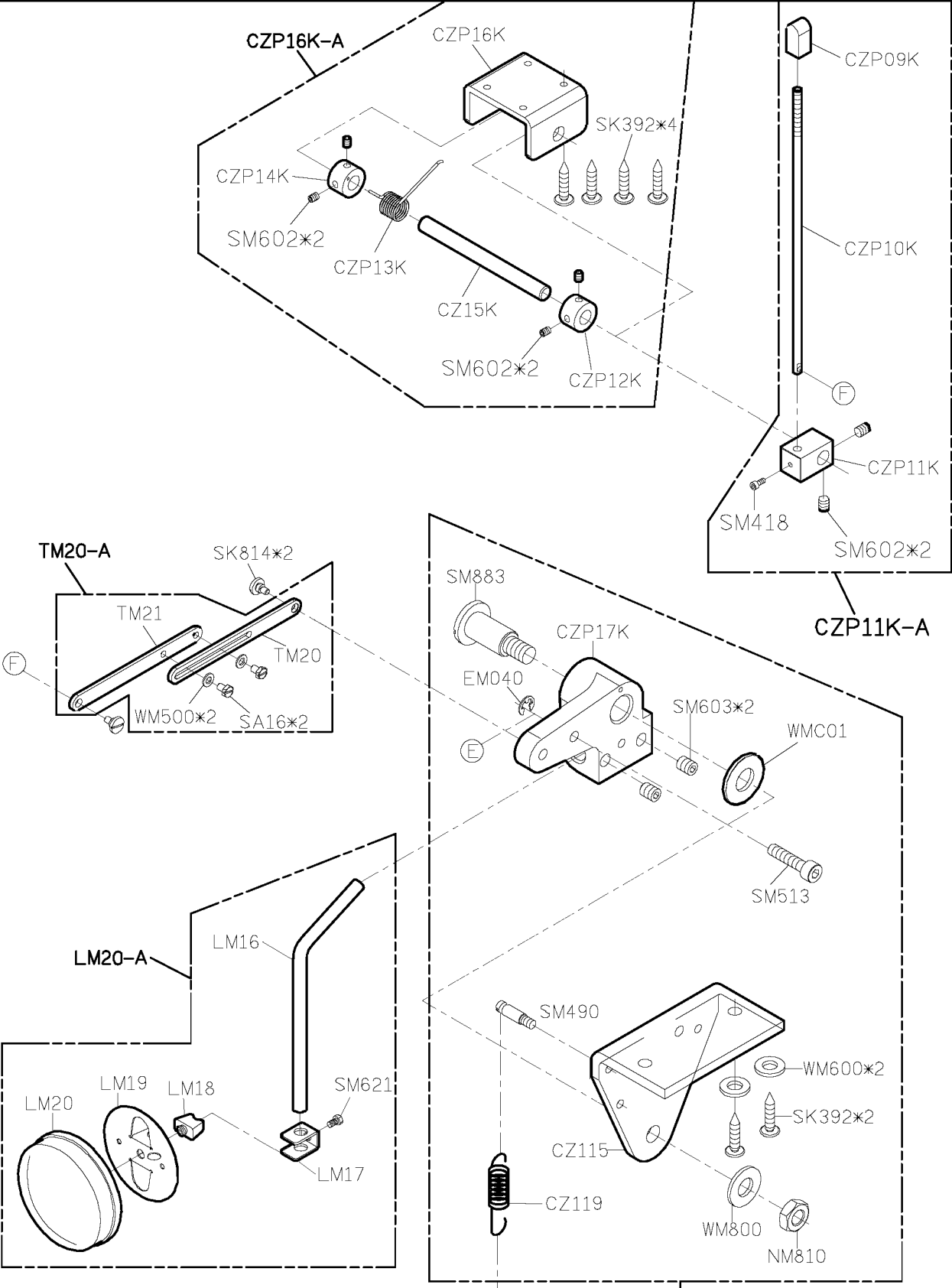
A
B
C
D
E



1 2 3 4 5

SIRUBA PARTS LIST	Series	Parts Group	Subclass / Remark	Page
	C007K/C007KD C858K/C858KD	CZP-K		3/3
				Date
				2012/11/01

A
B
C
D
E



1 2 3 4 5

SIRUBA
PARTS LIST

Series

Parts Group

Subclass / Remark

Page

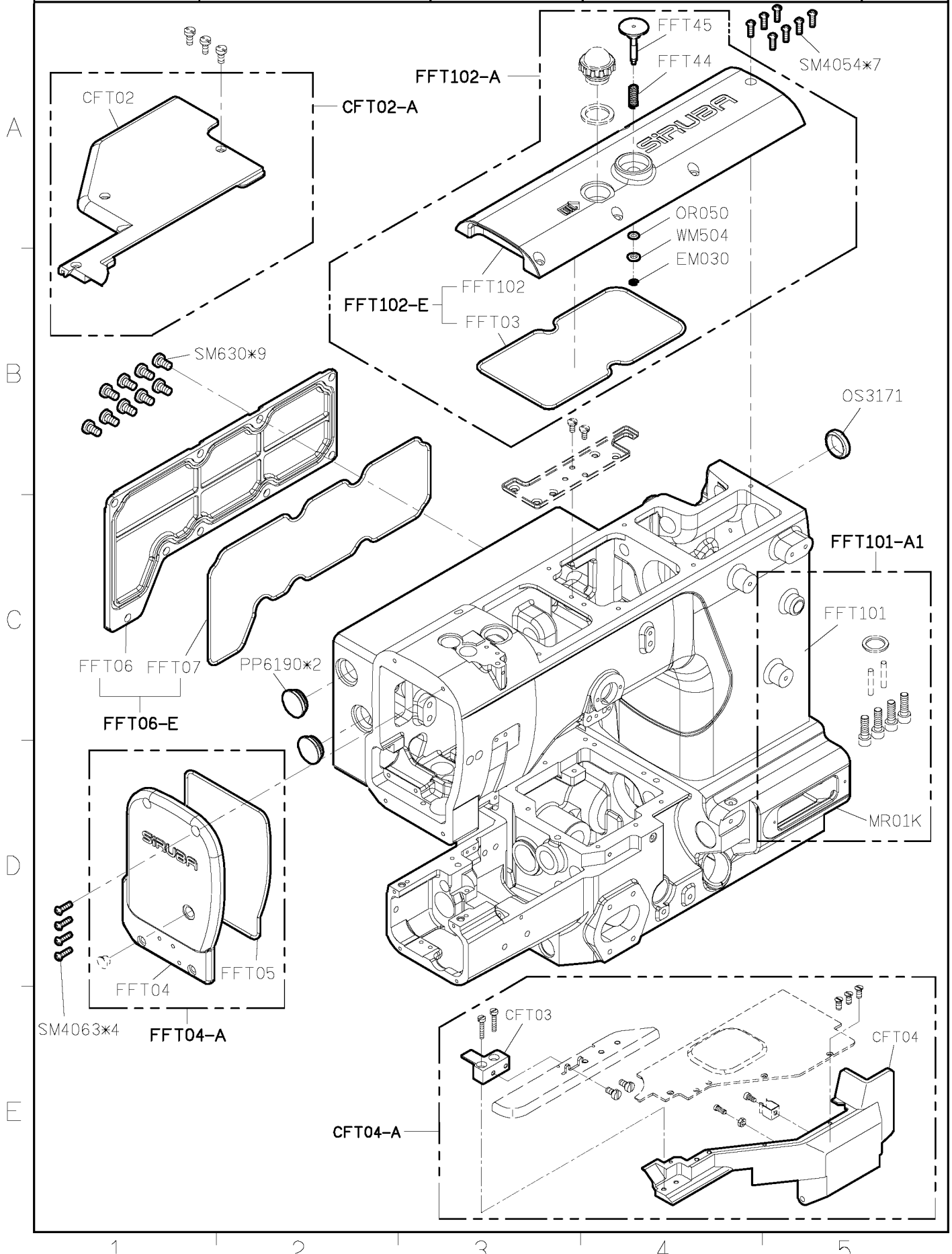
C007KD

FFT

1/7

Date

2012/12/25



SIRUBA
PARTS LIST

Series
C007KD

Parts Group
FFT

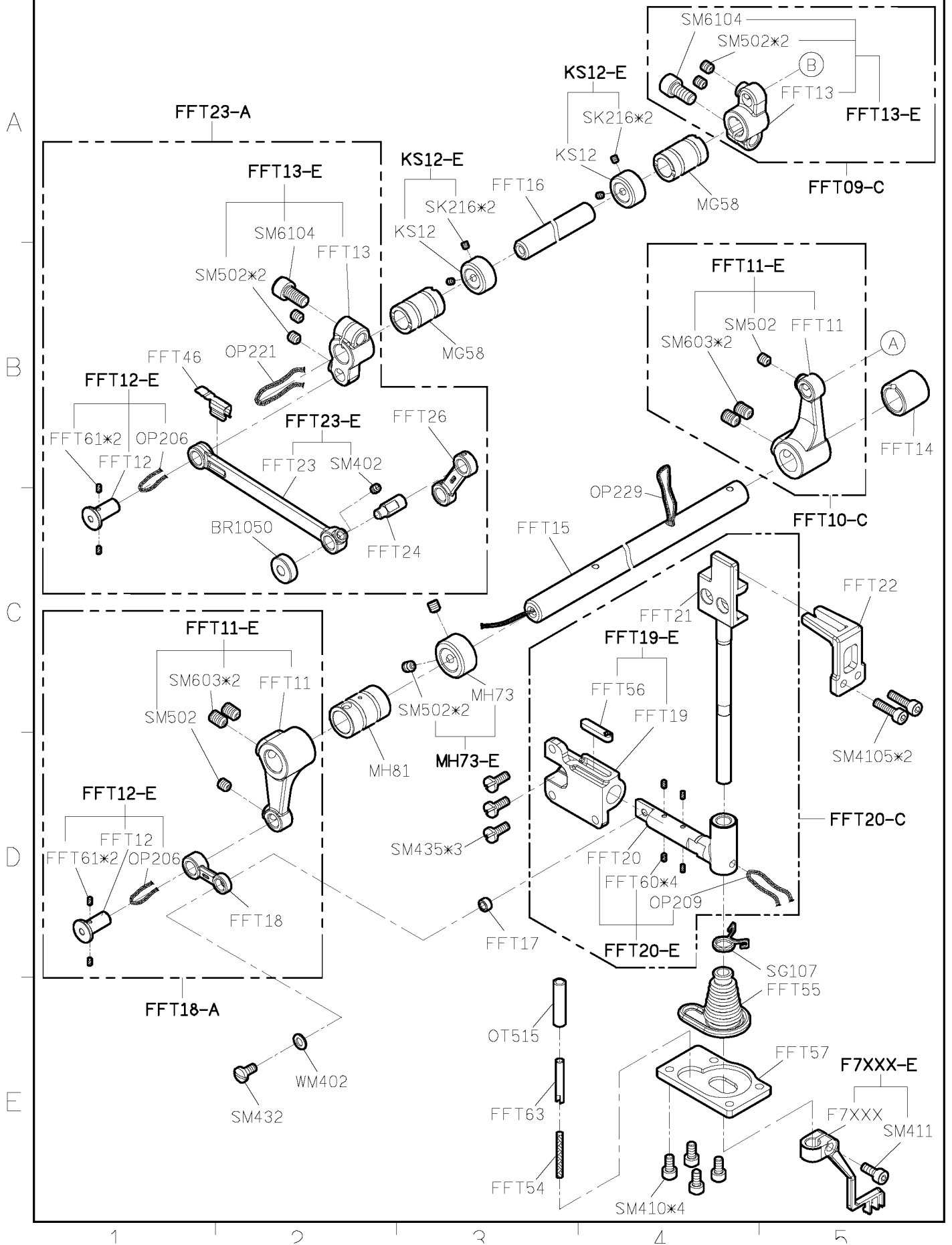
Subclass / Remark

Page

2/7

Date

2012/12/25



SIRUBA
PARTS LIST

Series
C007KD

Parts Group
FFT

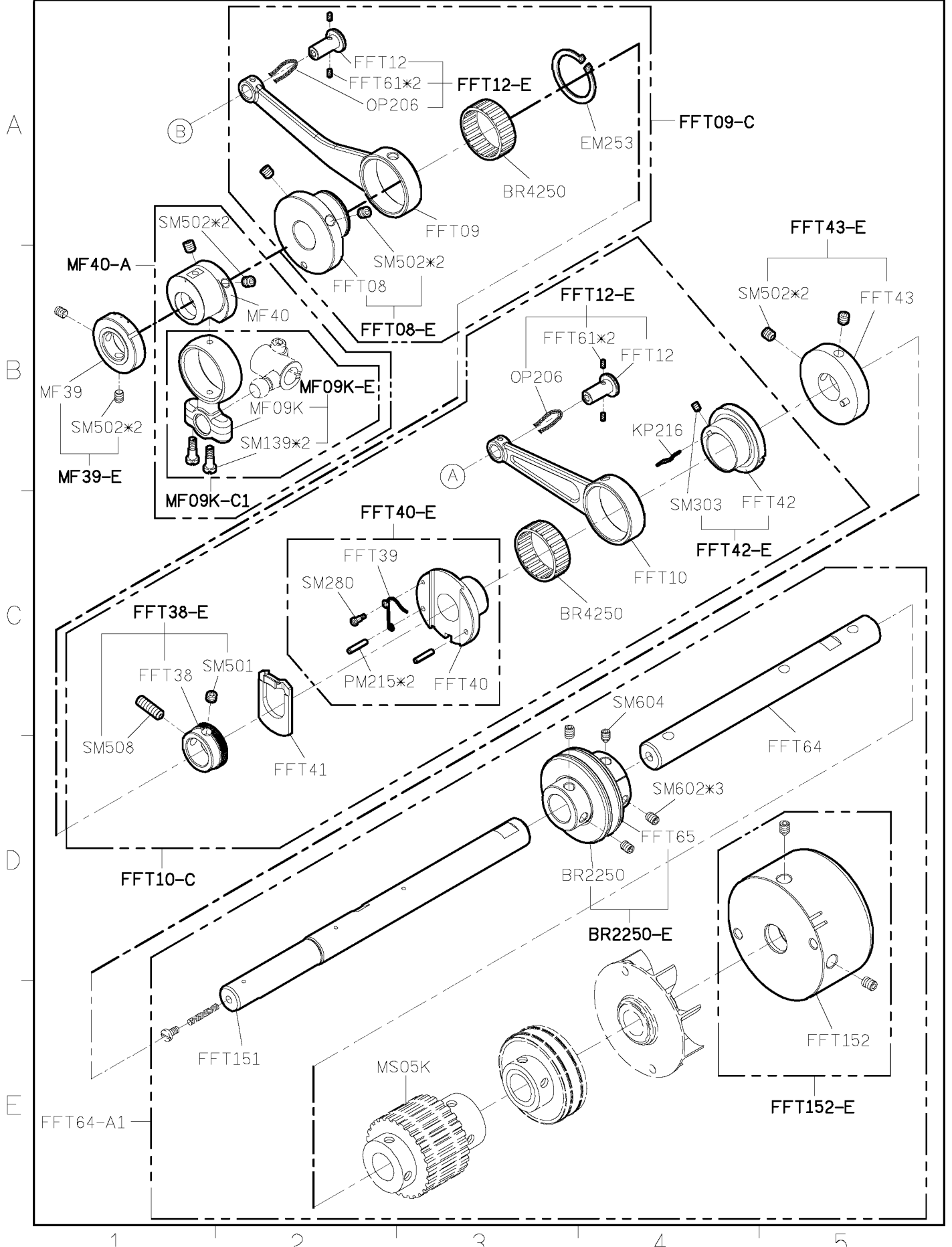
Subclass / Remark

Page

3/7

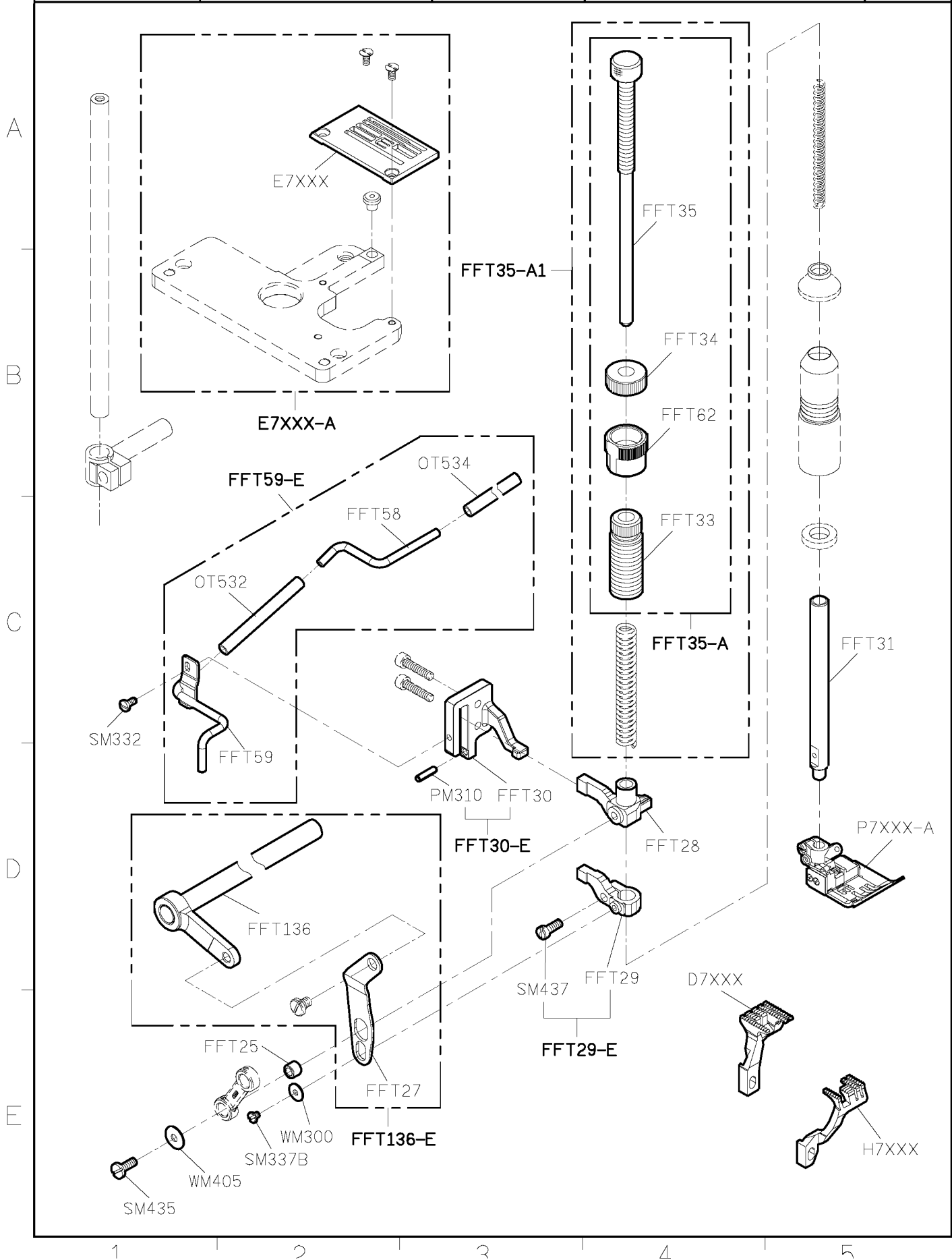
Date

2012/12/25



SIRUBA
PARTS LIST

Series	Parts Group	Subclass / Remark	Page
C007KD	FFT		4/7
			Date
			2012/12/25



SIRUBA
PARTS LIST

Series

Parts Group

Subclass / Remark

Page

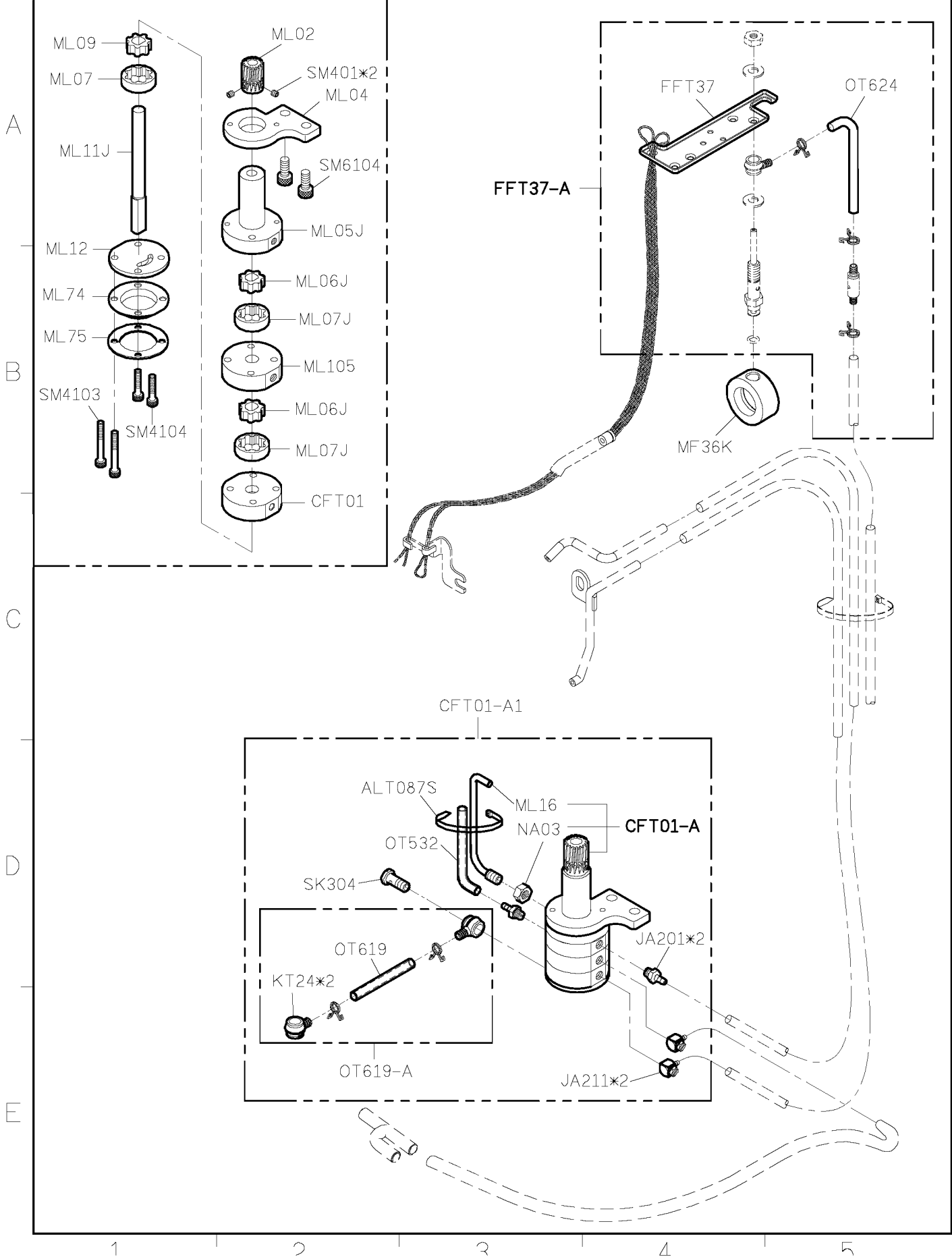
C007KD

FFT

5/7

Date

2012/12/25



SIRUBA PARTS LIST	Series	Parts Group	Subclass / Remark	Page
	C007KD	FFT	Use for UT	6/7
				Date
				2013/01/08

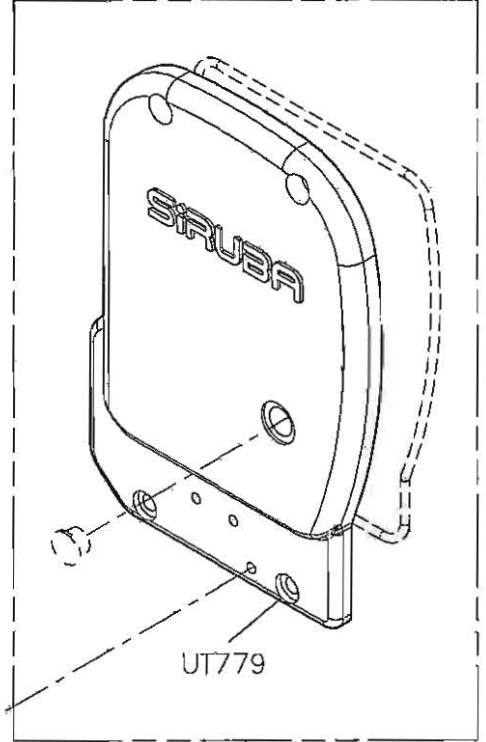
A

ALT104S



AC027-A1

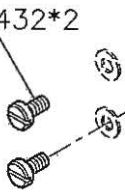
B



UT779

C

SM432*2



UT779-A

D

UT778

E

1

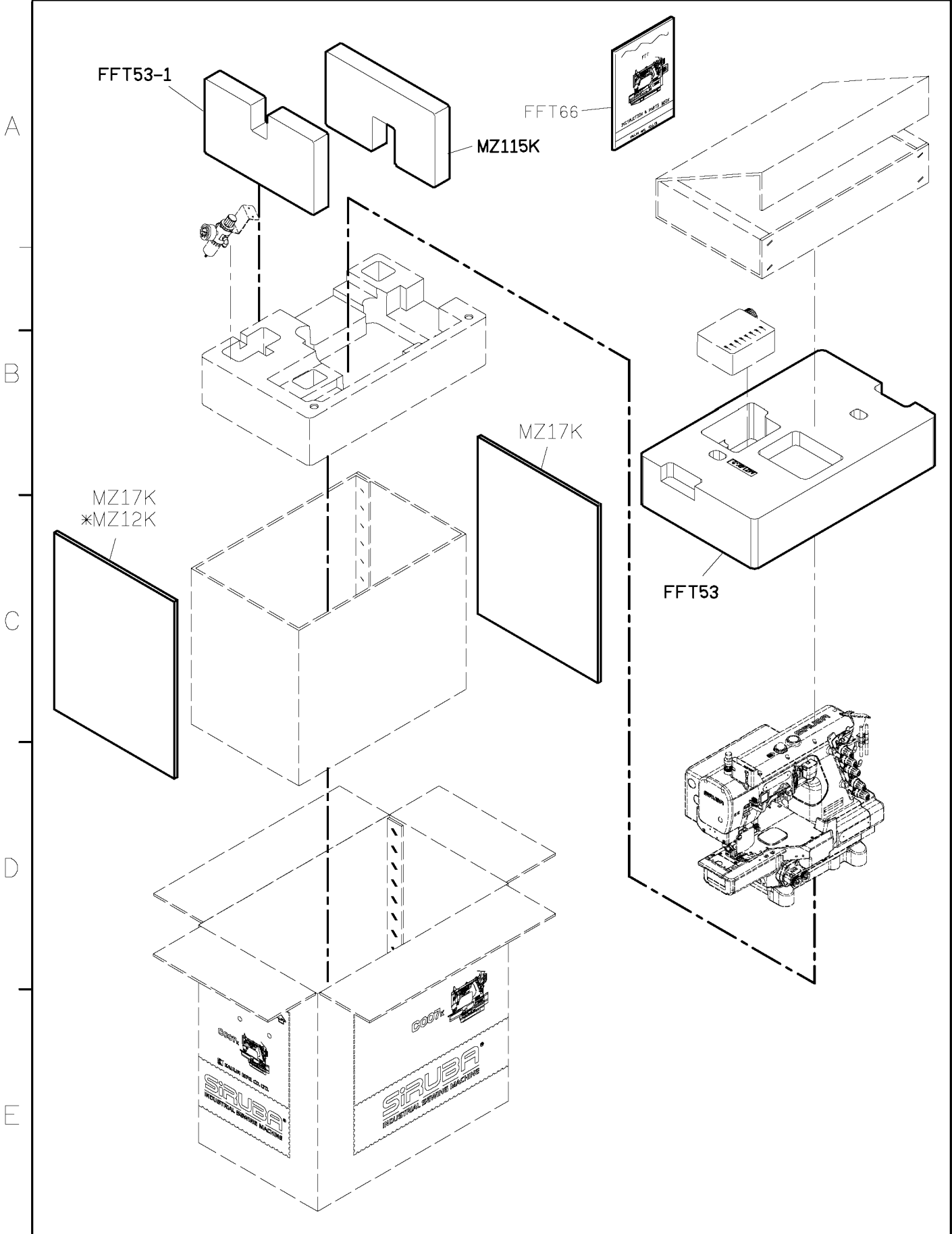
2

3

4

5

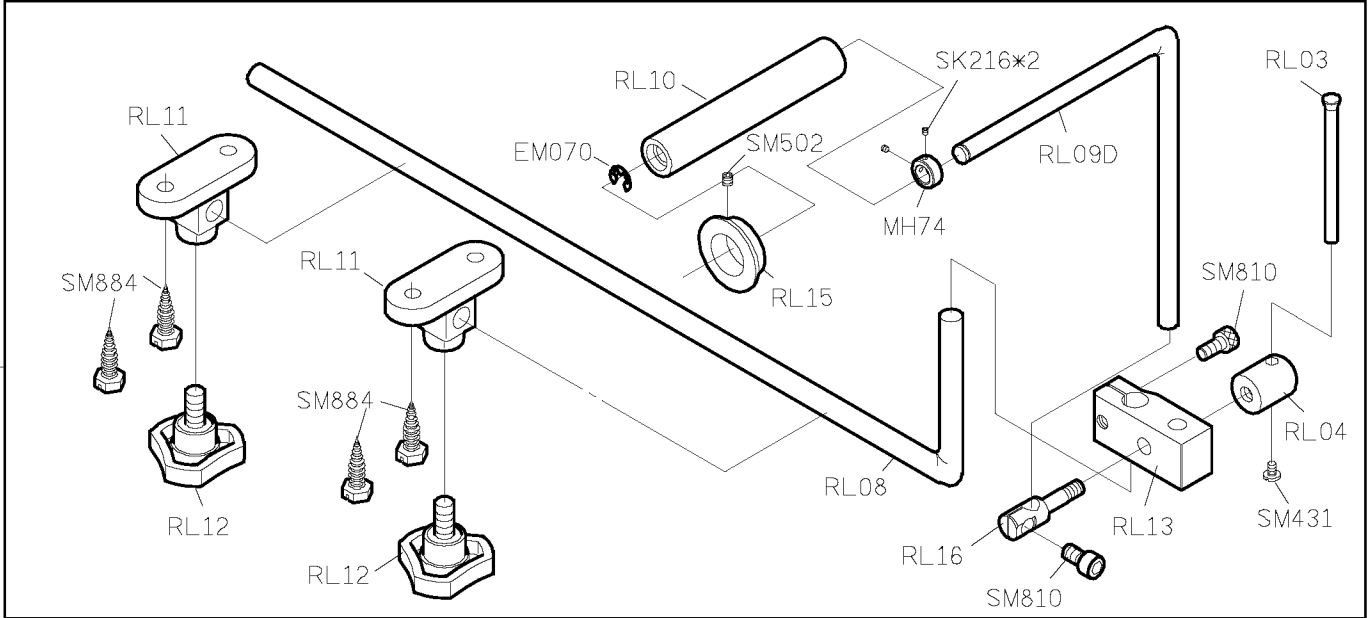
SIRUBA PARTS LIST	Series	Parts Group	Subclass / Remark	Page
	C007KD	FFT	* Use for UT	7/7
				Date
				2012/12/25



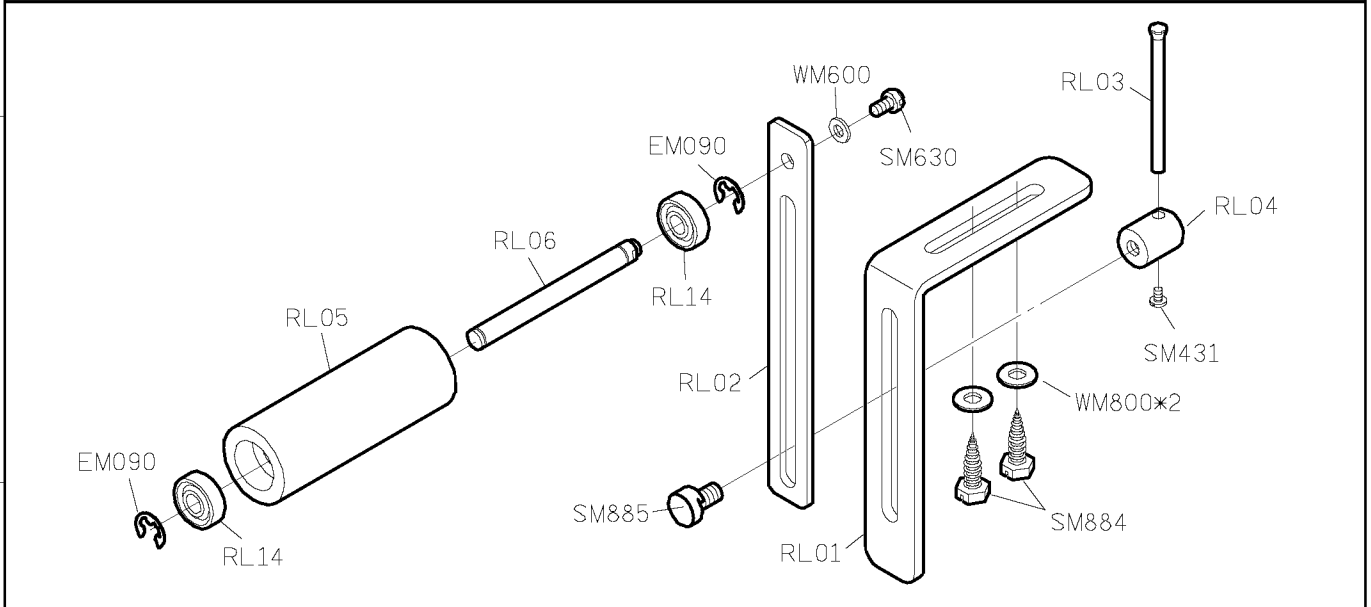
SIRUBA PARTS LIST	Series	Parts Group	Subclass / Remark	Page
	C007K/C007KD	RL		1/1
	C858K/C858KD			Date
	2013/01/09			

A

B

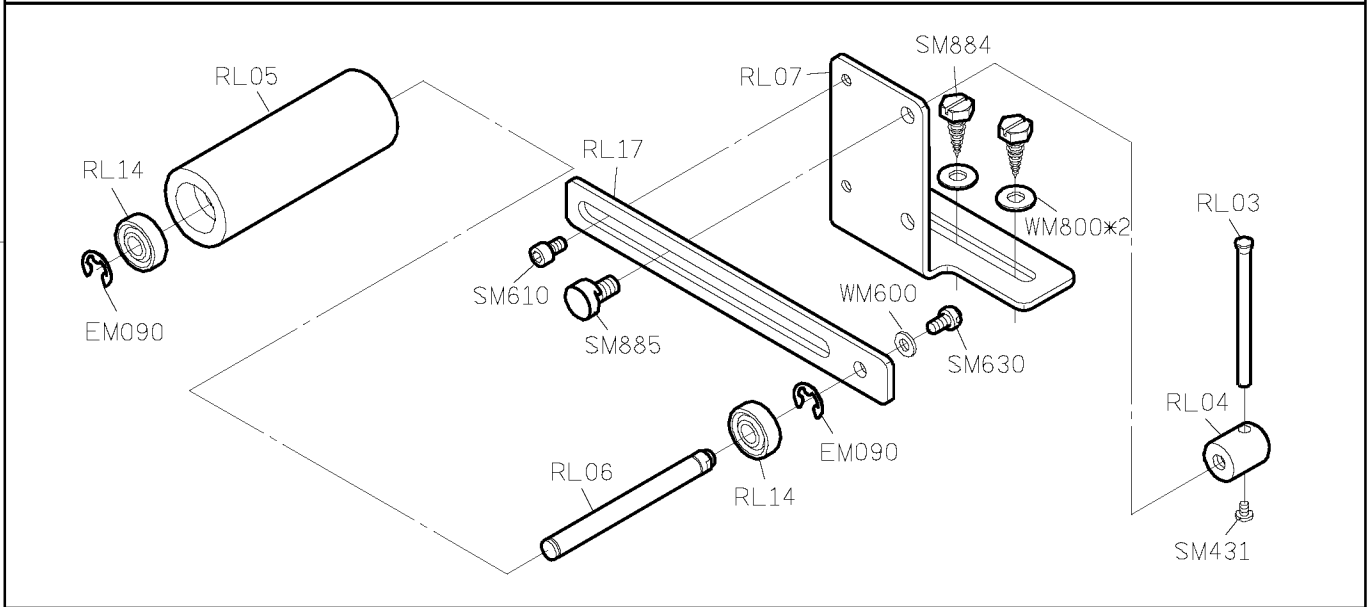


C

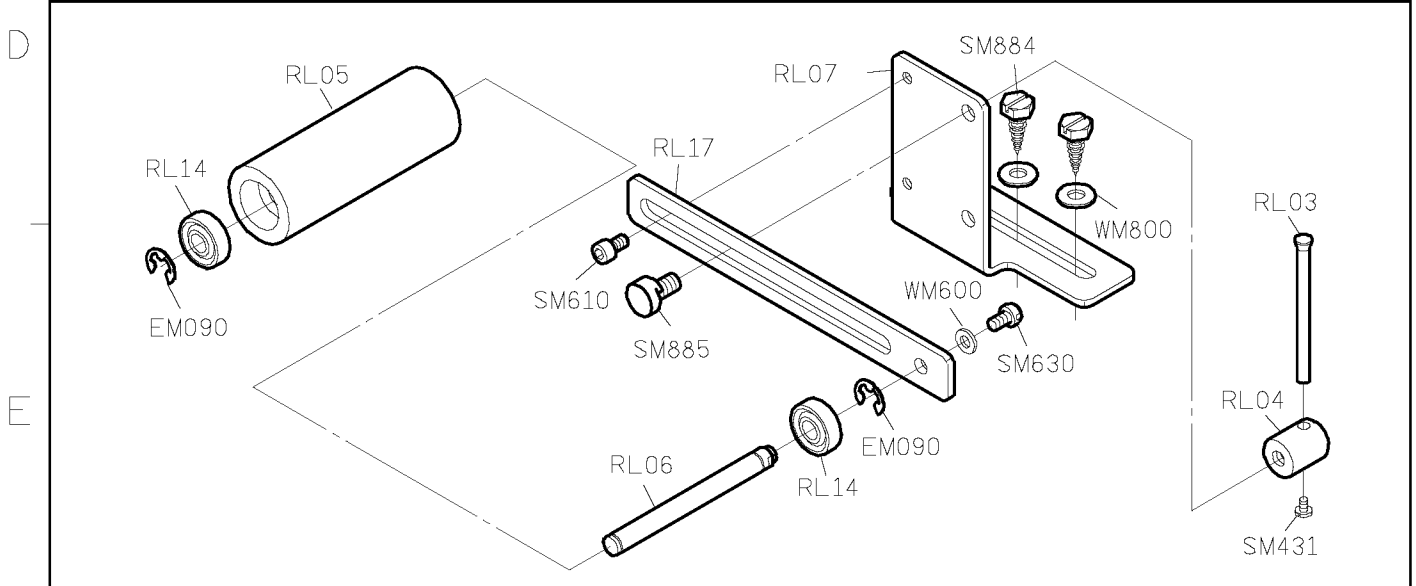
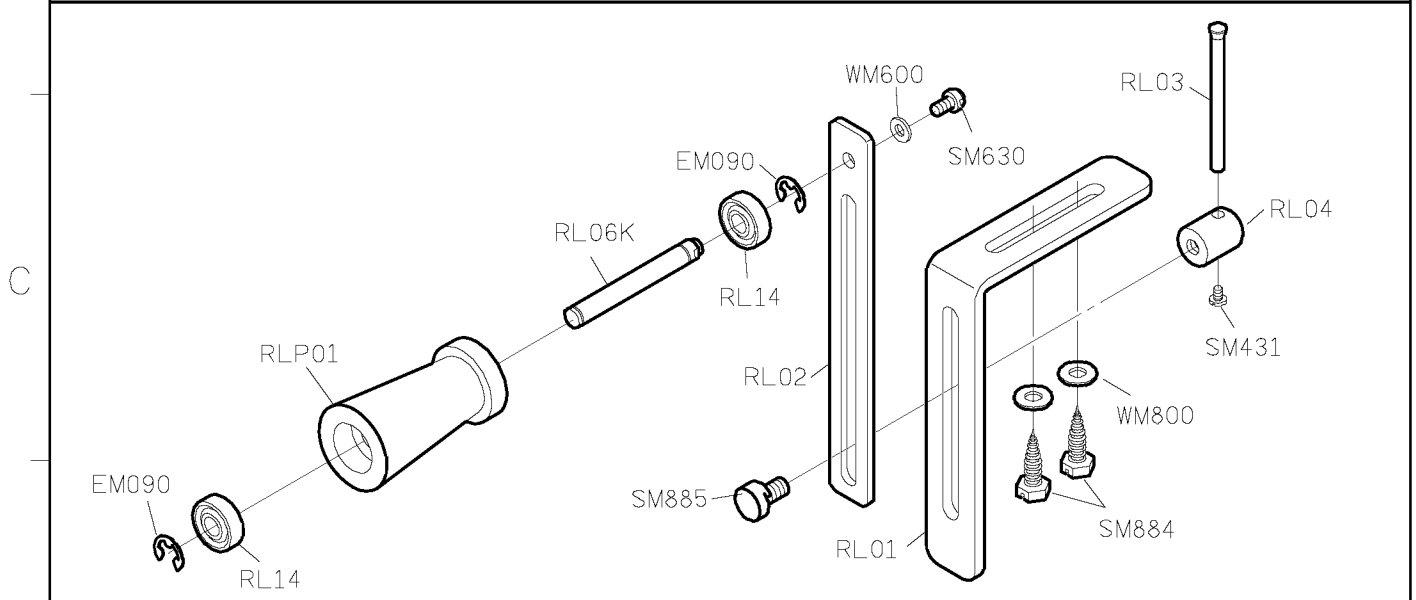
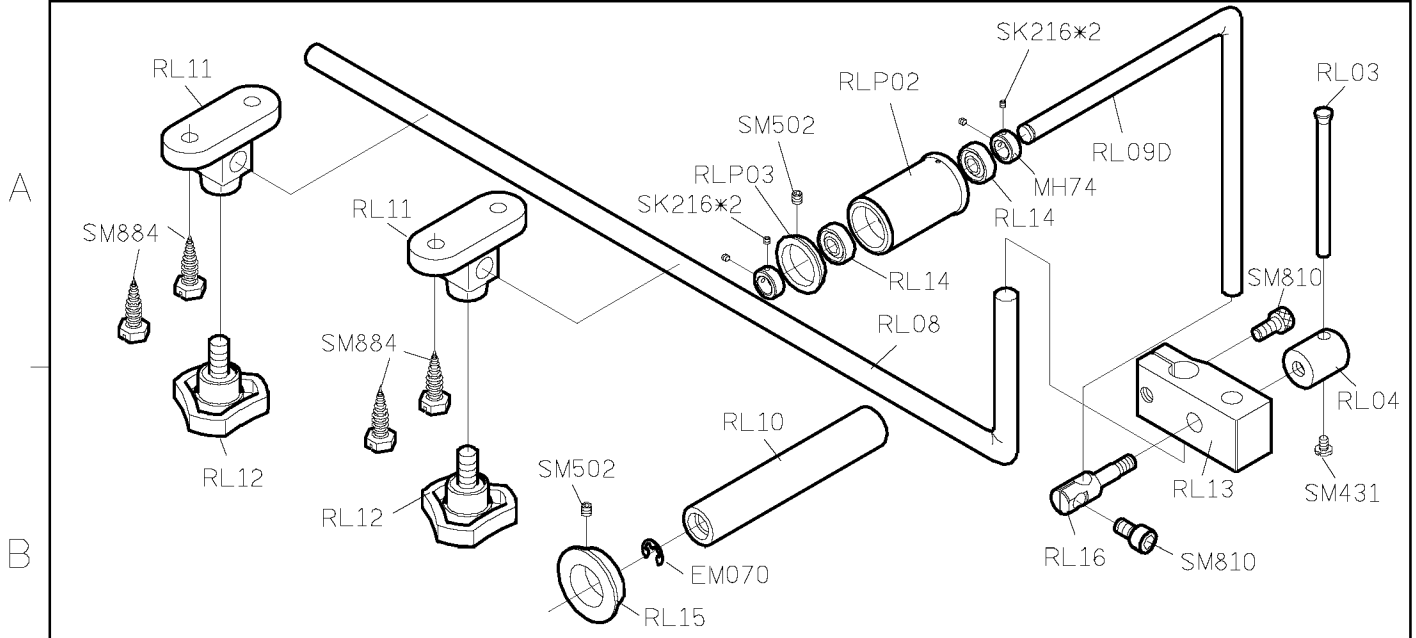


D

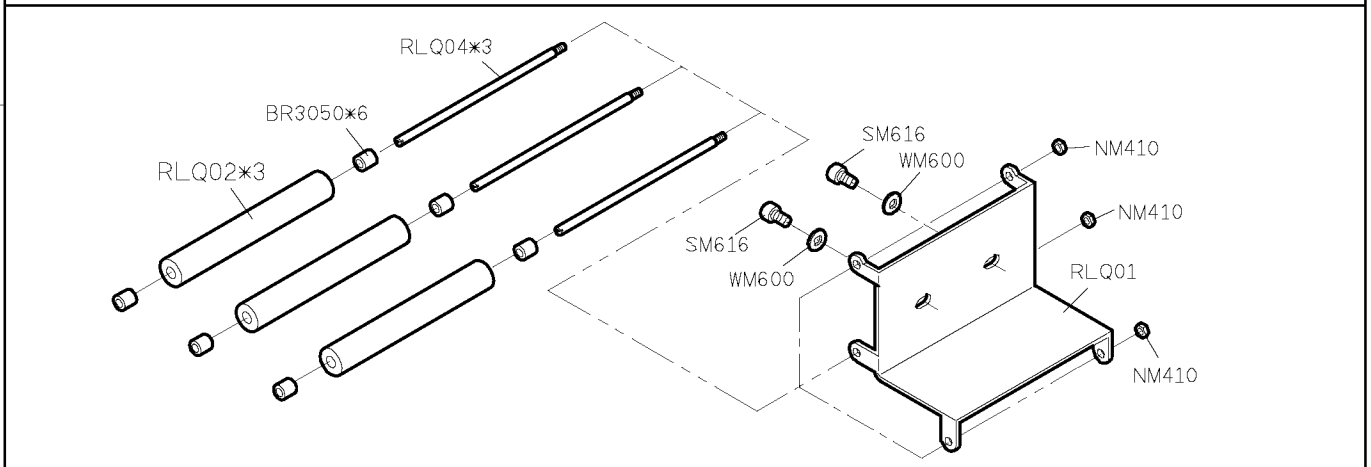
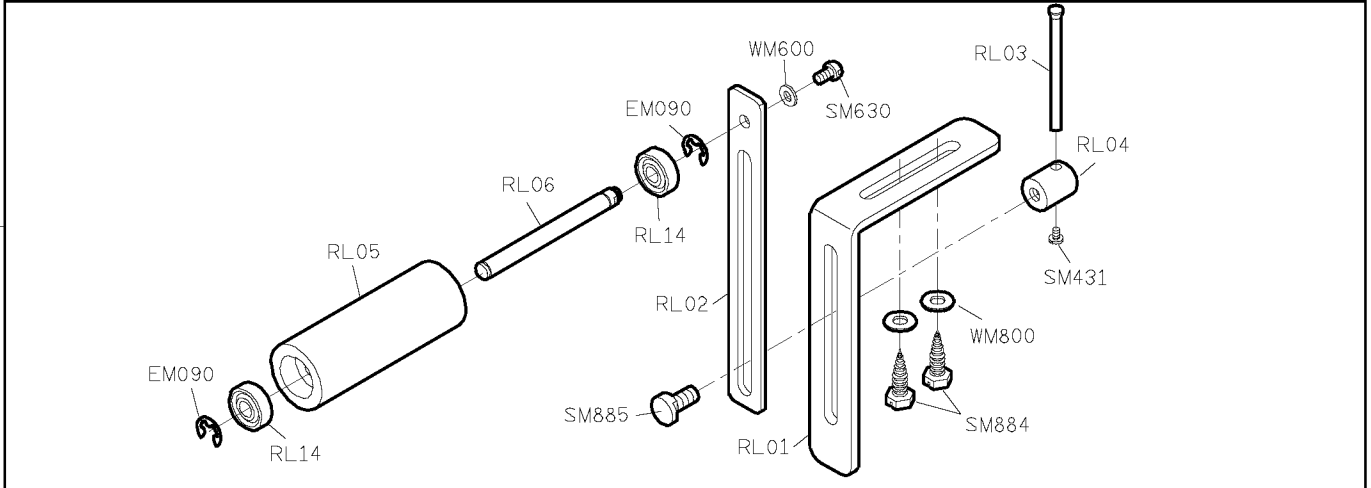
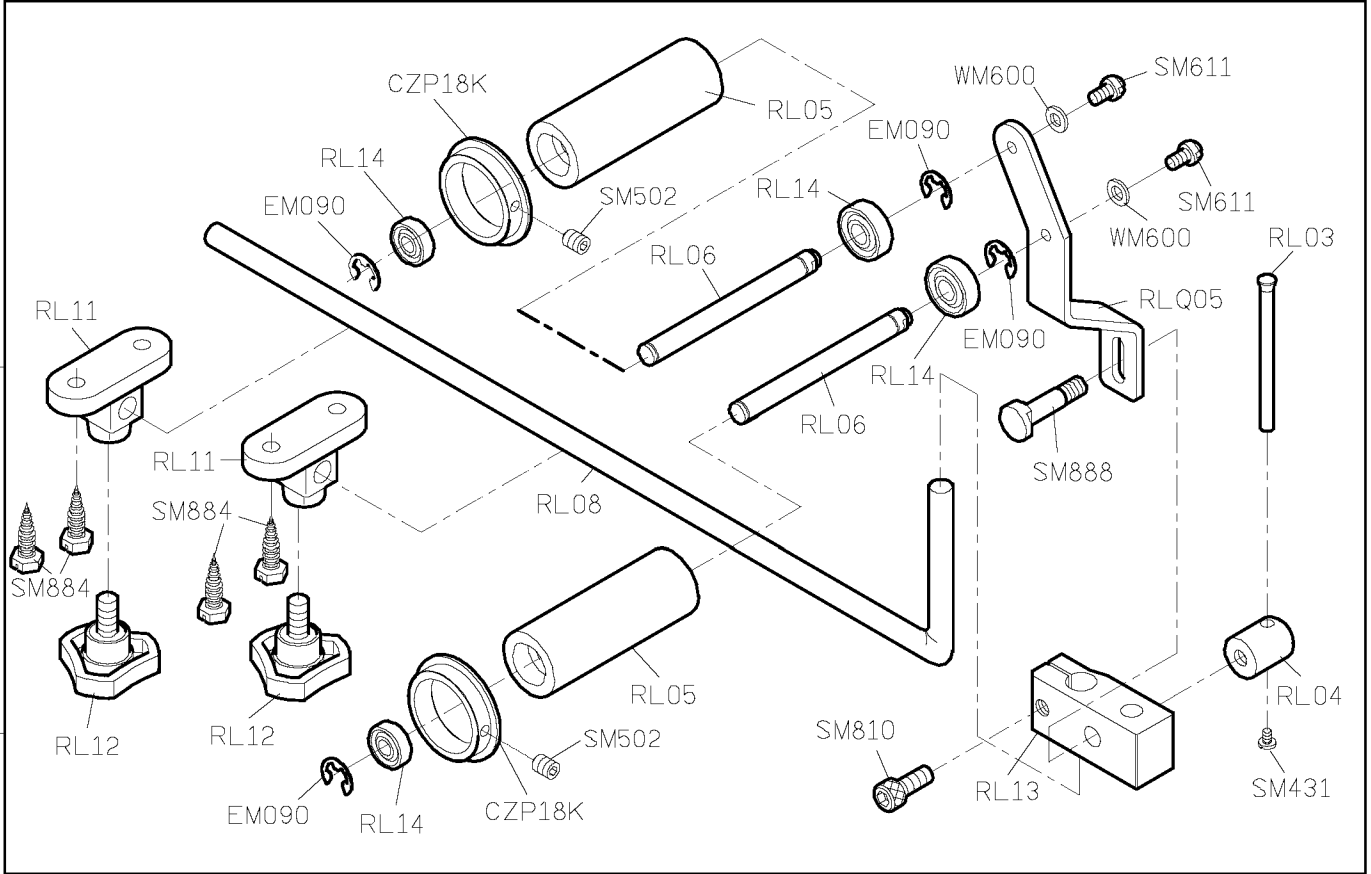
E



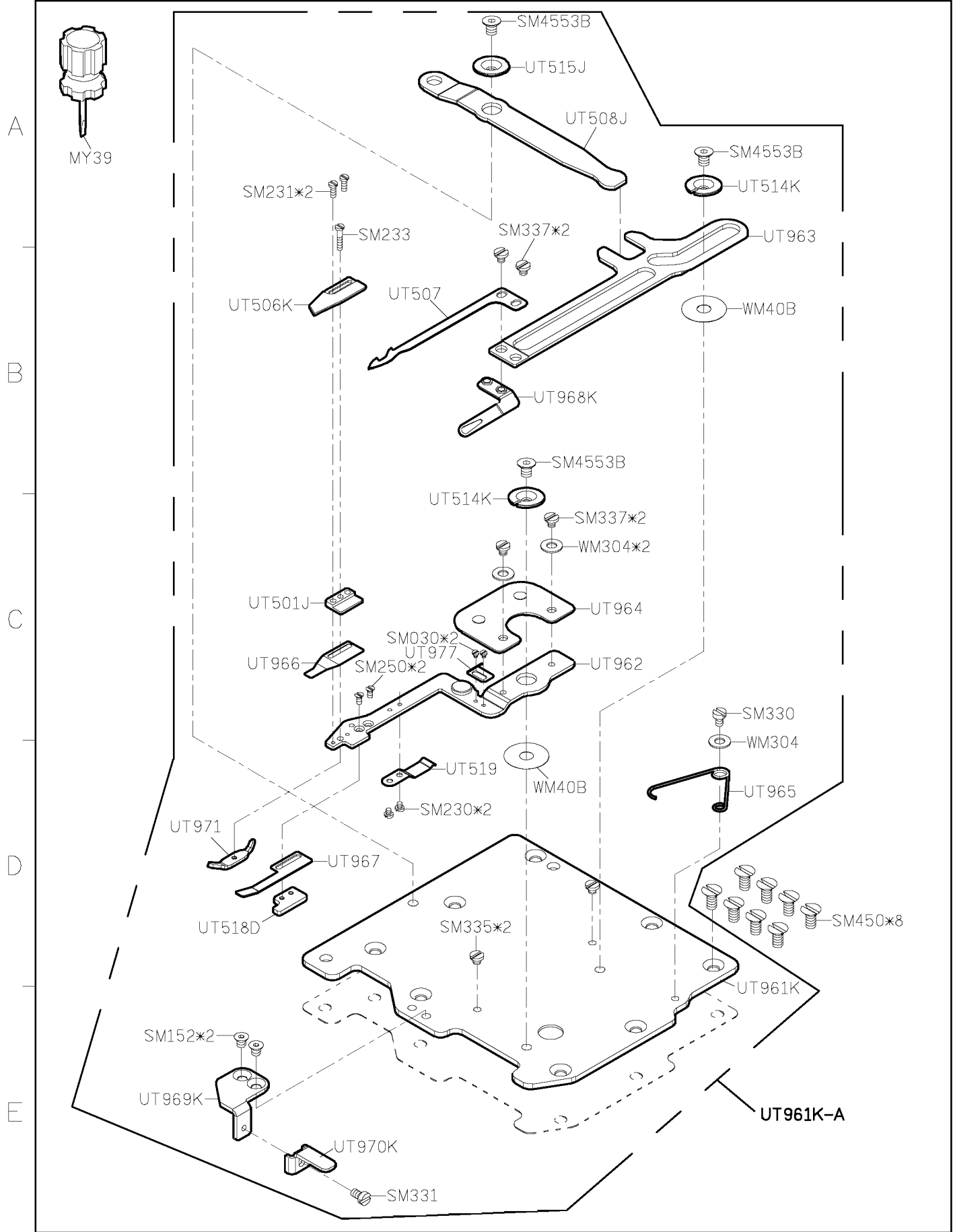
SIRUBA PARTS LIST	Series	Parts Group	Subclass / Remark	Page
	C007K/C007KD	RLP		1/1
	C858K/C858KD			Date
				2013/01/09



SIRUBA PARTS LIST	Series	Parts Group	Subclass / Remark	Page
	C007K/C007KD	RLQ-K		1/1
	C858K/C858KD			Date
				2012/11/01



SIRUBA PARTS LIST	Series	Parts Group	Subclass / Remark	Page
	C007K/C007KD	UTP(UTQ)-K		1/11
	C858K/C858KD			Date
				2012/11/01



SIRUBA PARTS LIST	Series	Parts Group	Subclass / Remark	Page
	C007K/C007KD	UTP(UTQ)-K	☐ : Use for H brand motor	3/11
	C858K/C858KD			Date
				2013/01/09

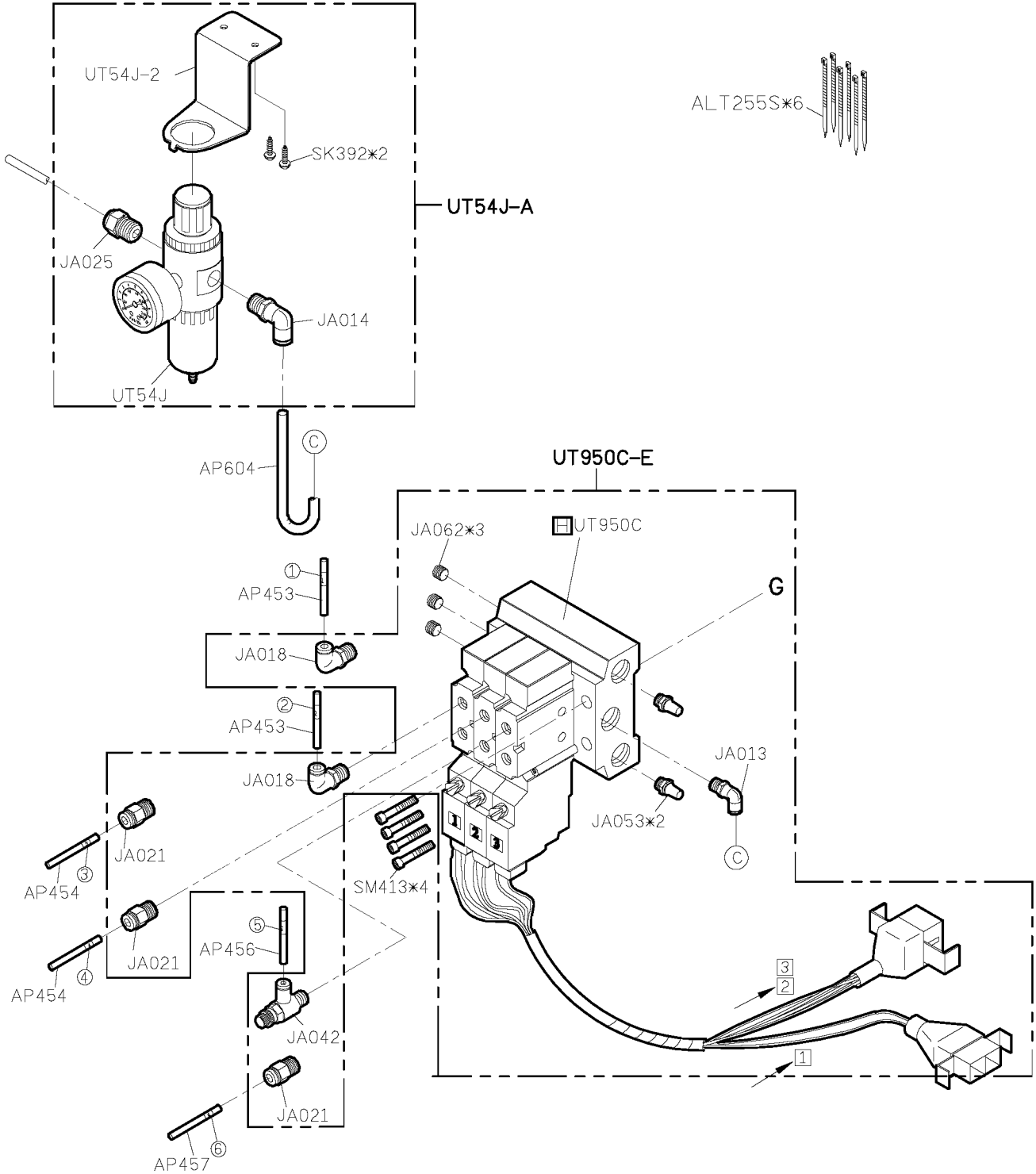
A

B

C

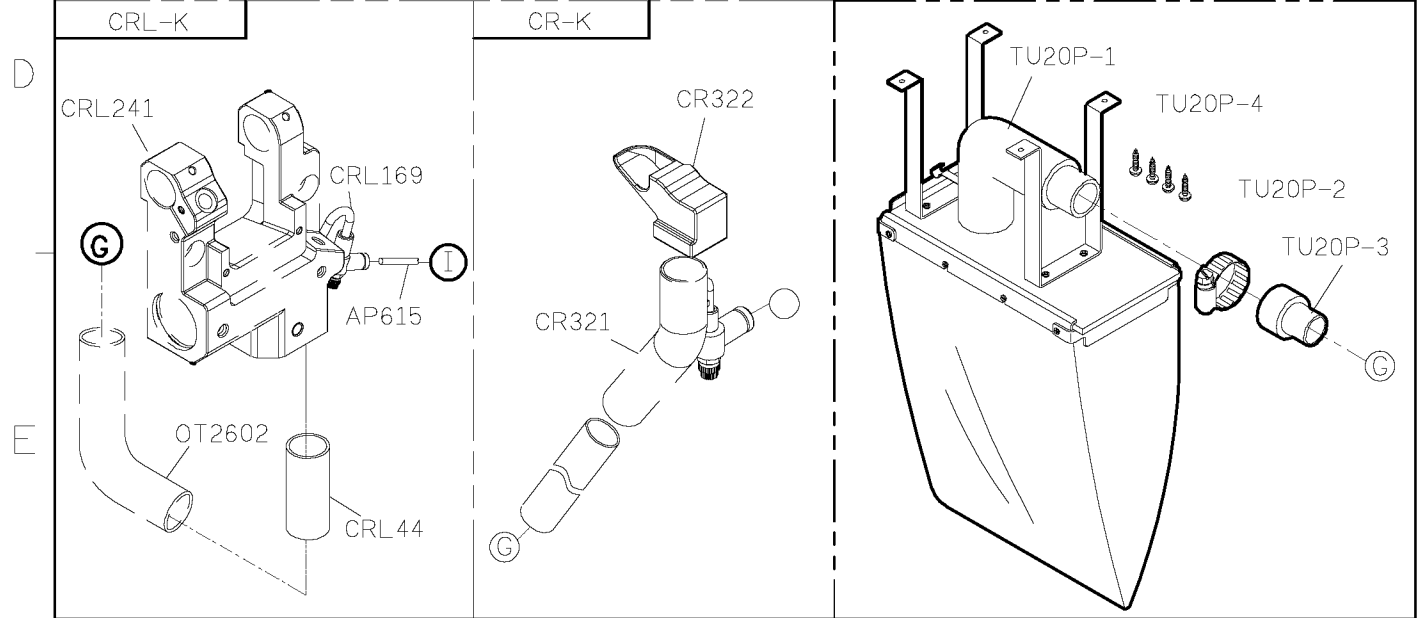
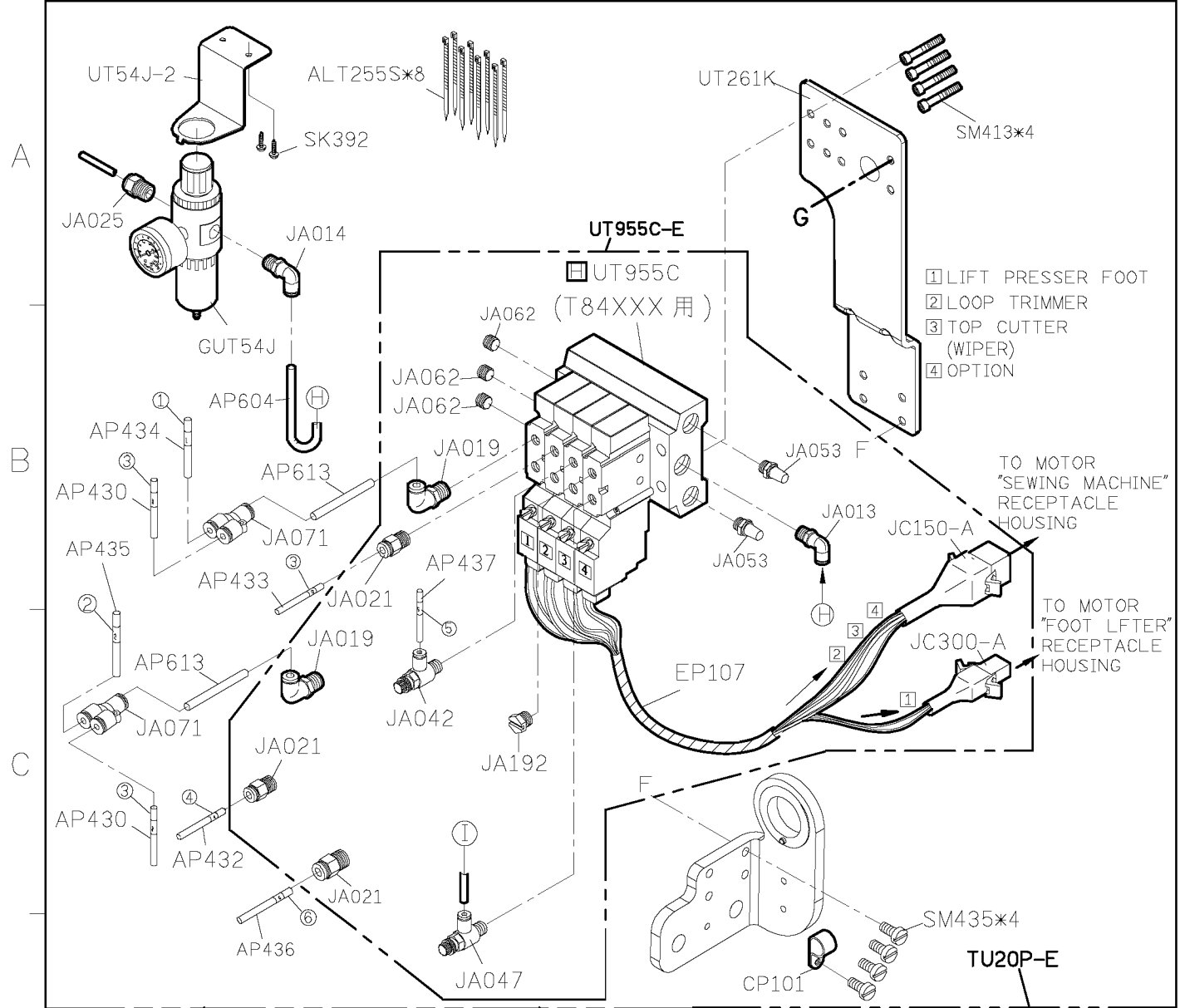
D

E



- ① LIFT PRESSER FOOT
 ② LOOP TRIMMER
 ③ TOP CUTTER
 (WIPER)

SIRUBA PARTS LIST	Series	Parts Group	Subclass / Remark	Page
	C007K/C007KD C858K/C858KD	UTP(UTQ)-K	☐ : Use for H brand motor	4/11
				Date 2012/11/01



SIRUBA PARTS LIST	Series	Parts Group	Subclass / Remark	Page
	C007K/C007KD	UTP(UTQ)-K	For C007K/C858K	5/11
	C858K/C858KD			Date 2012/11/01

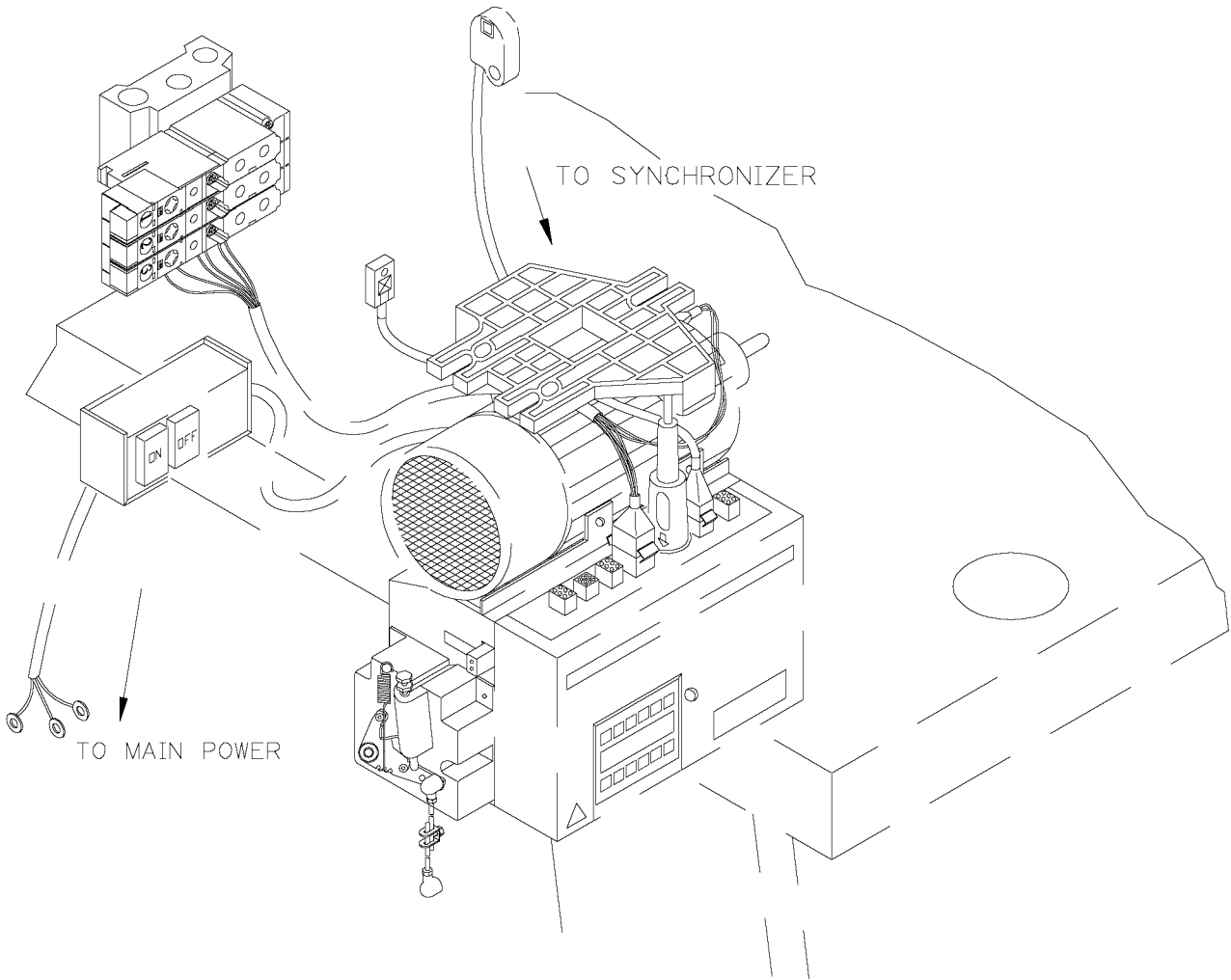
A

B

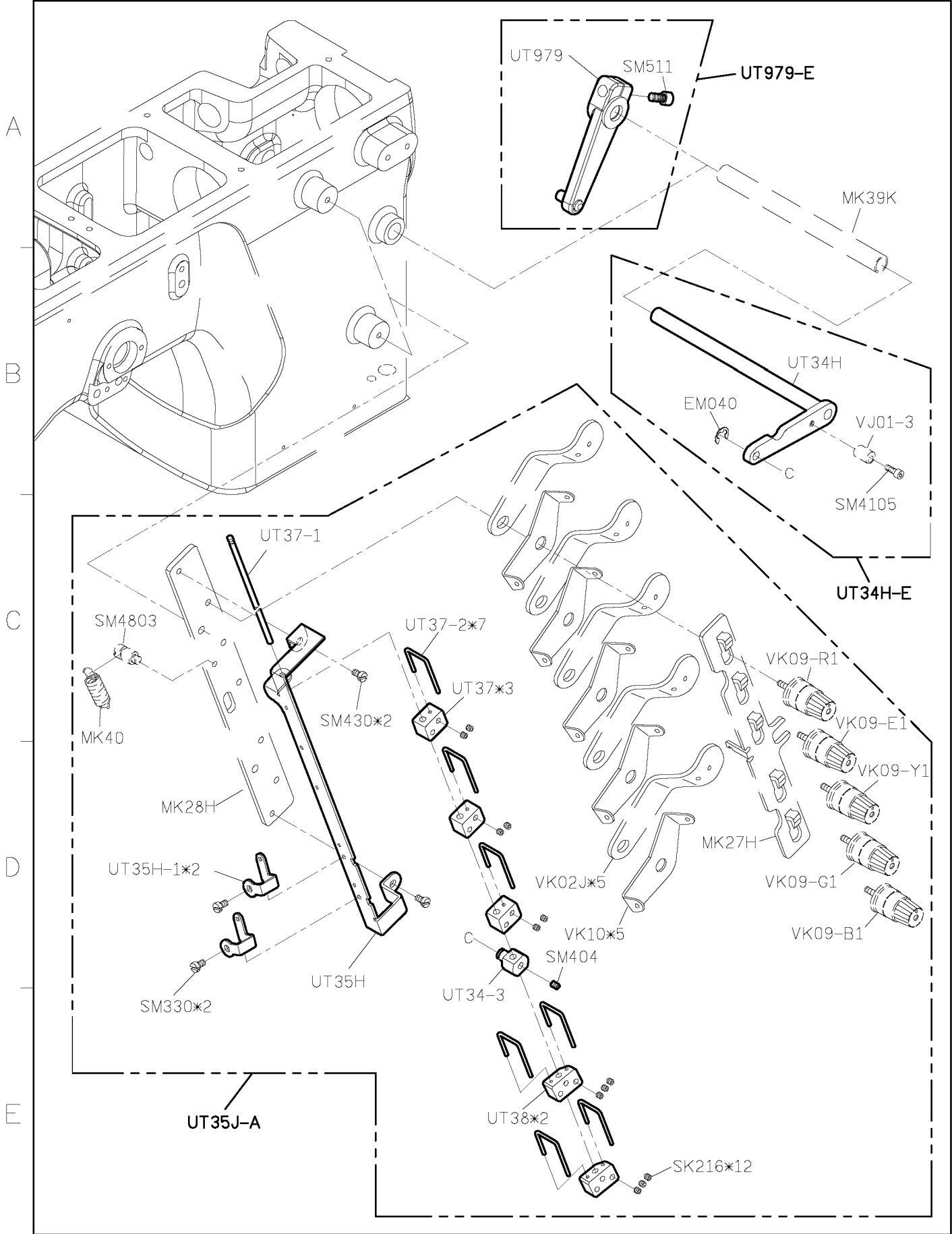
C

D

E



SIRUBA PARTS LIST	Series	Parts Group	Subclass / Remark	Page
	C007K/C007KD	UTP(UTQ)-K		8/11
	C858K/C858KD			Date
				2012/12/18



SIRUBA PARTS LIST	Series	Parts Group	Subclass / Remark	Page
	C007K/C007KD	UTQ-K		7/11
	C858K/C858KD			Date
				2012/11/01

A

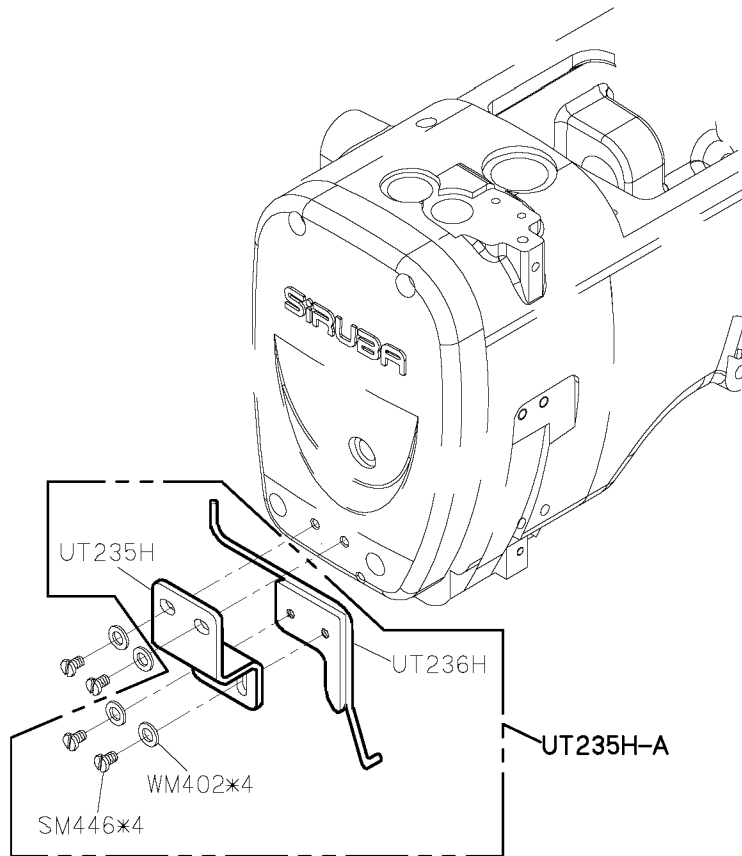
B

C

D

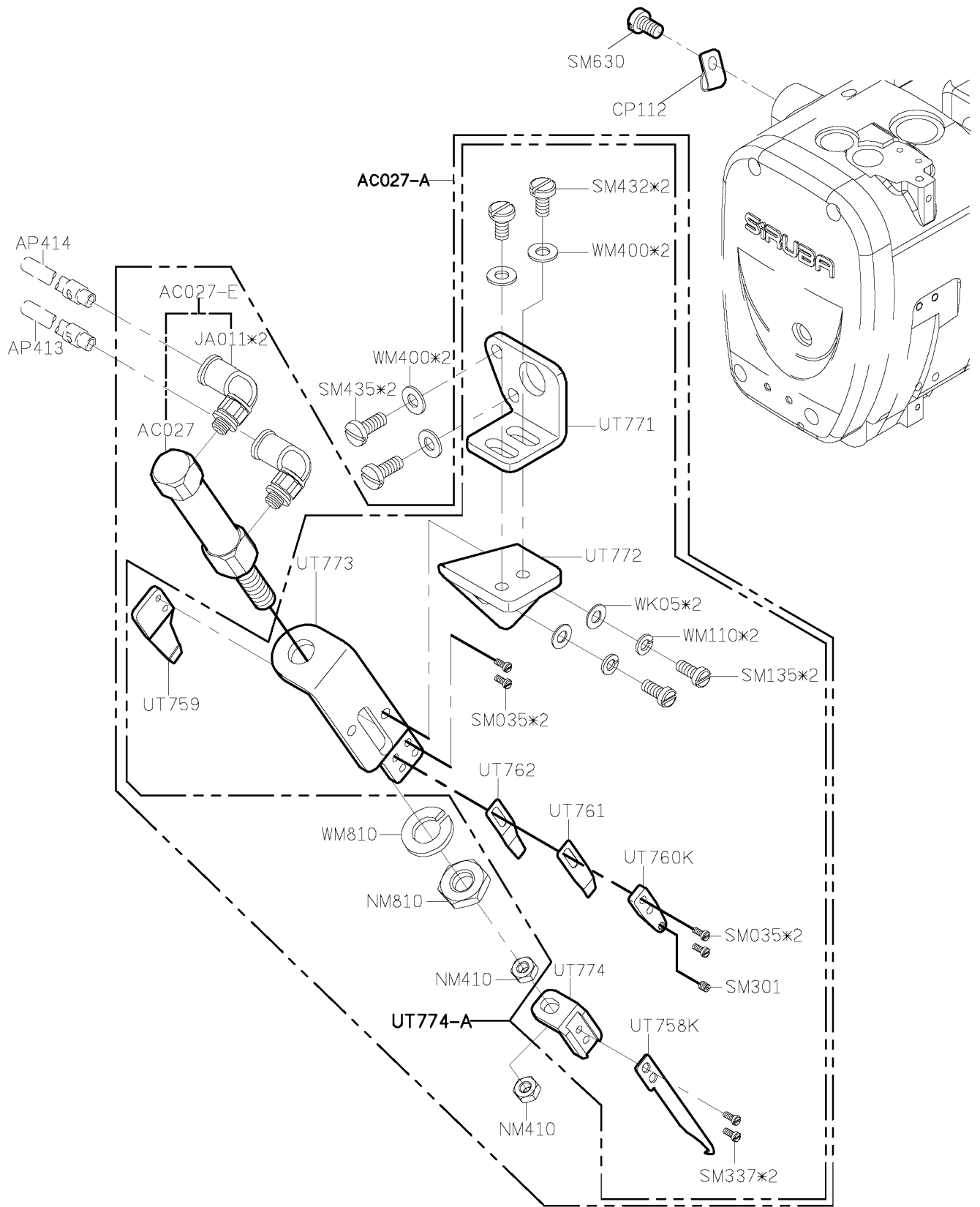
E

FOR LEFT SIDE



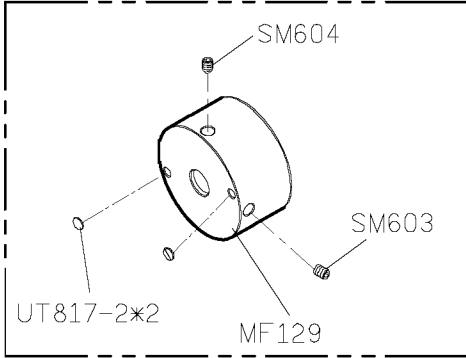
SIRUBA PARTS LIST	Series	Parts Group	Subclass / Remark	Page
	C007K/C007KD	UTP-K		8/11
	C858K/C858KD			Date
				2012/11/01

A
B
C
D
E



1 2 3 4 5

SIRUBA PARTS LIST	Series	Parts Group	Subclass / Remark	Page
	C007K/C007KD C858K/C858KD	UTP(UTQ)-K	For C007K/C858K ☐ : Use for H brand motor	9/11
				Date
				2012/11/01



UT818J-A

☐ UT815

SM4054

UT816

TO SYNCHRONIZER

TO MAIN POWER

TXXXXX

T999

SIRUBA PARTS LIST	Series	Parts Group	Subclass / Remark	Page
	C007K/C007KD C858K/C858KD	UTP(UTQ)-K	For C007KD/C858KD	11/11
			☐ : Use for H brand motor (HVP-70)	Date
				2012/11/01

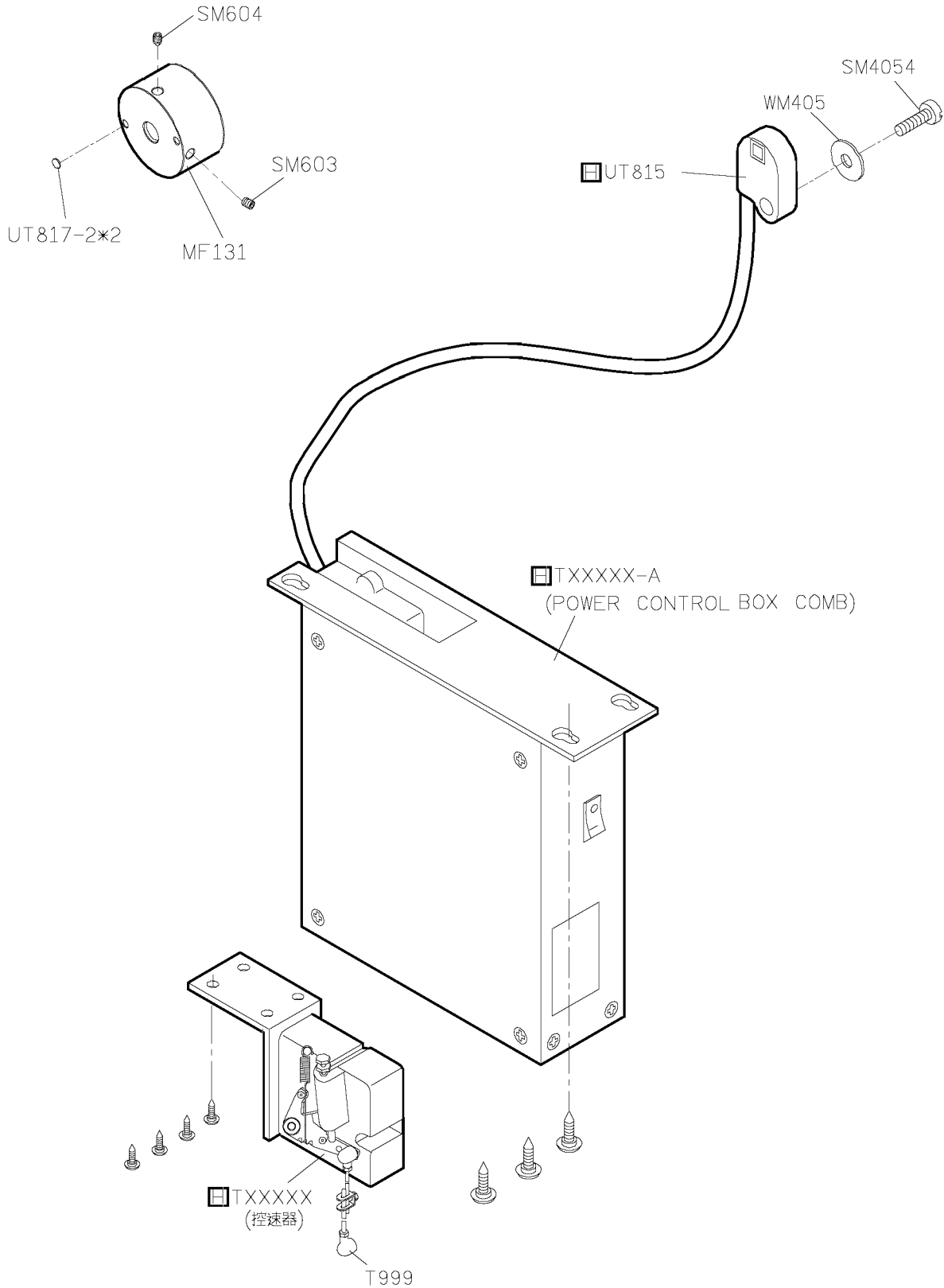
A

B

C

D

E



1

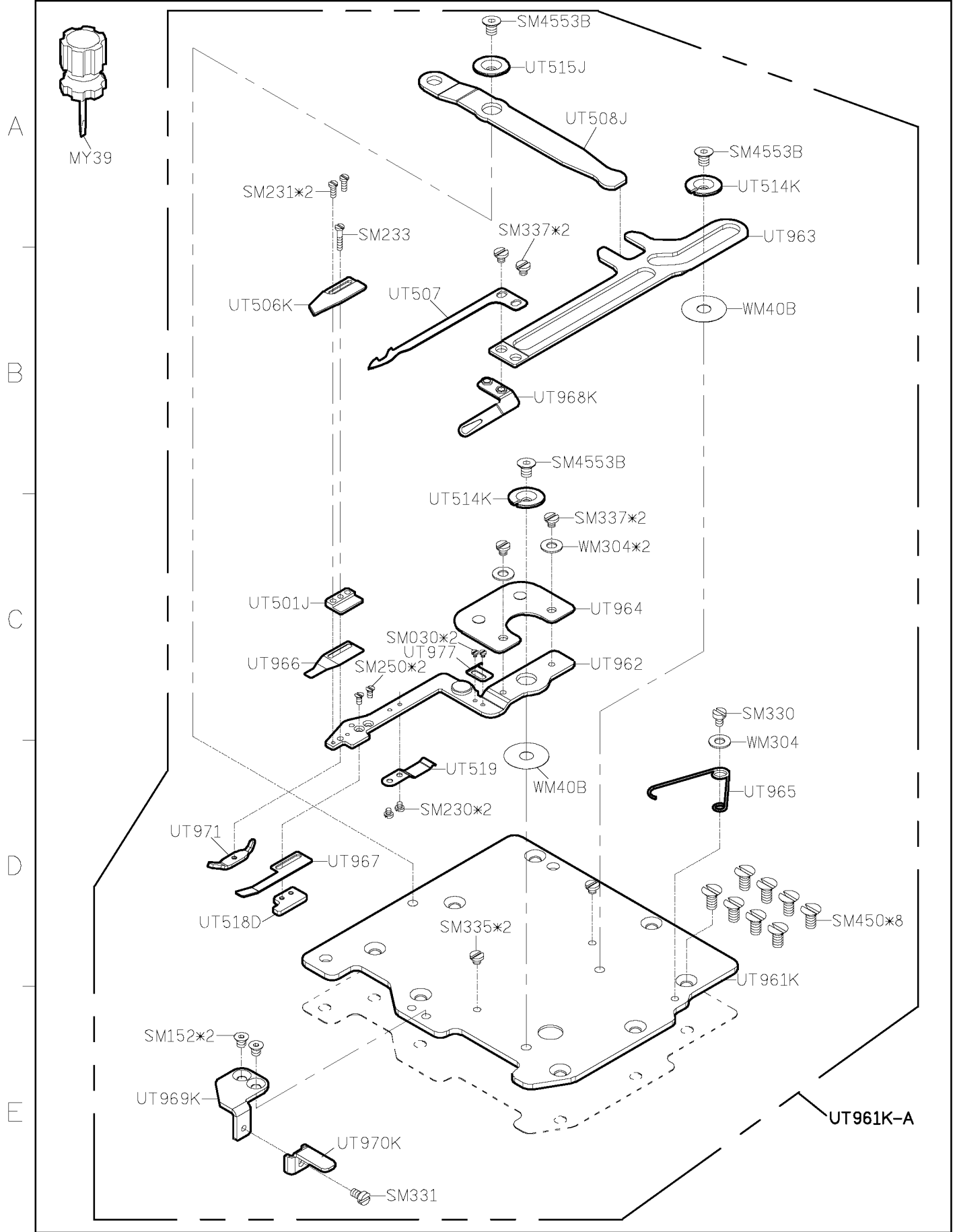
2

3

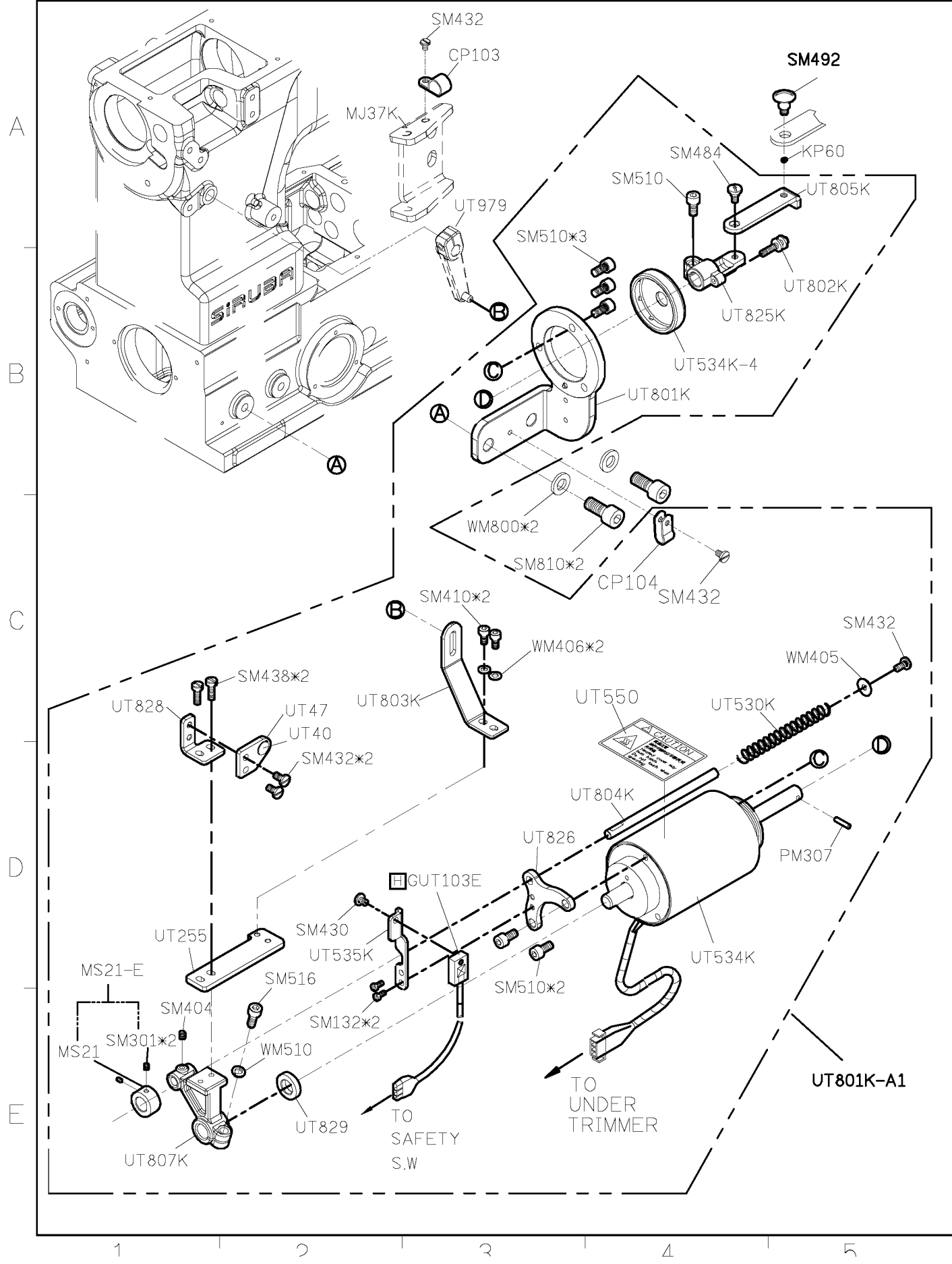
4

5

SIRUBA PARTS LIST	Series	Parts Group	Subclass / Remark	Page
	C007K/C007KD	UTR(UTS)-K		1/11
	C858K/C858KD			Date
				2012/11/01

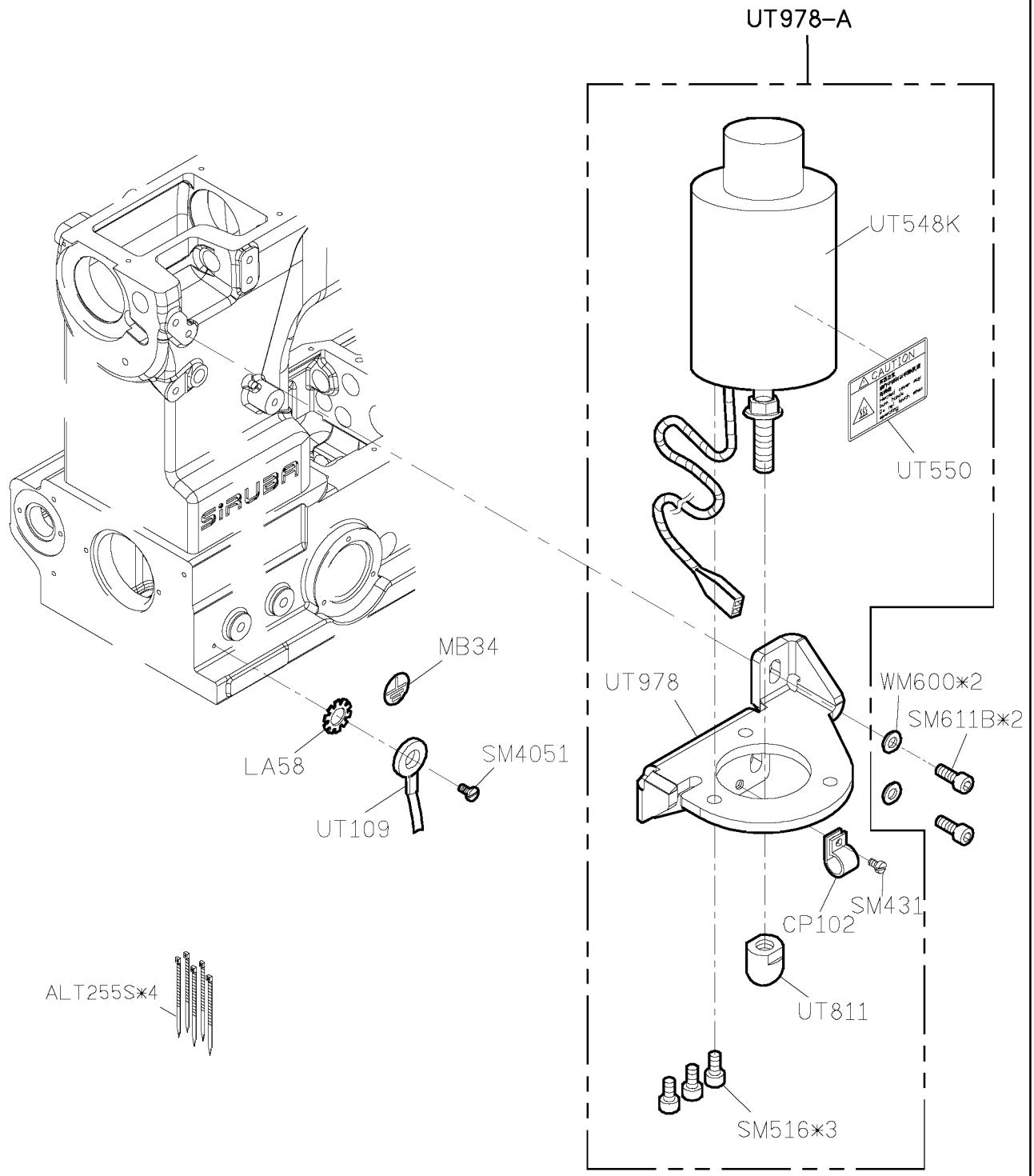


SIRUBA PARTS LIST	Series	Parts Group	Subclass / Remark	Page
	C007K/C007KD	UTR(UTS)-K	☐ : Use for H brand motor	2/11
	C858K/C858KD			Date
	2012/12/18			



SIRUBA PARTS LIST	Series	Parts Group	Subclass / Remark	Page
	C007K/C007KD C858K/C858KD	UTR(UTS)-K	☐ : Use for H brand motor	3/11
				Date 2012/01/09

A
B
C
D
E



SIRUBA PARTS LIST	Series	Parts Group	Subclass / Remark	Page
	C007K/C007KD C858K/C858KD	UTR(UTS)-K	For C007K/C858K	4/11
			<input type="checkbox"/> : Use for H brand motor	Date
				2012/11/01

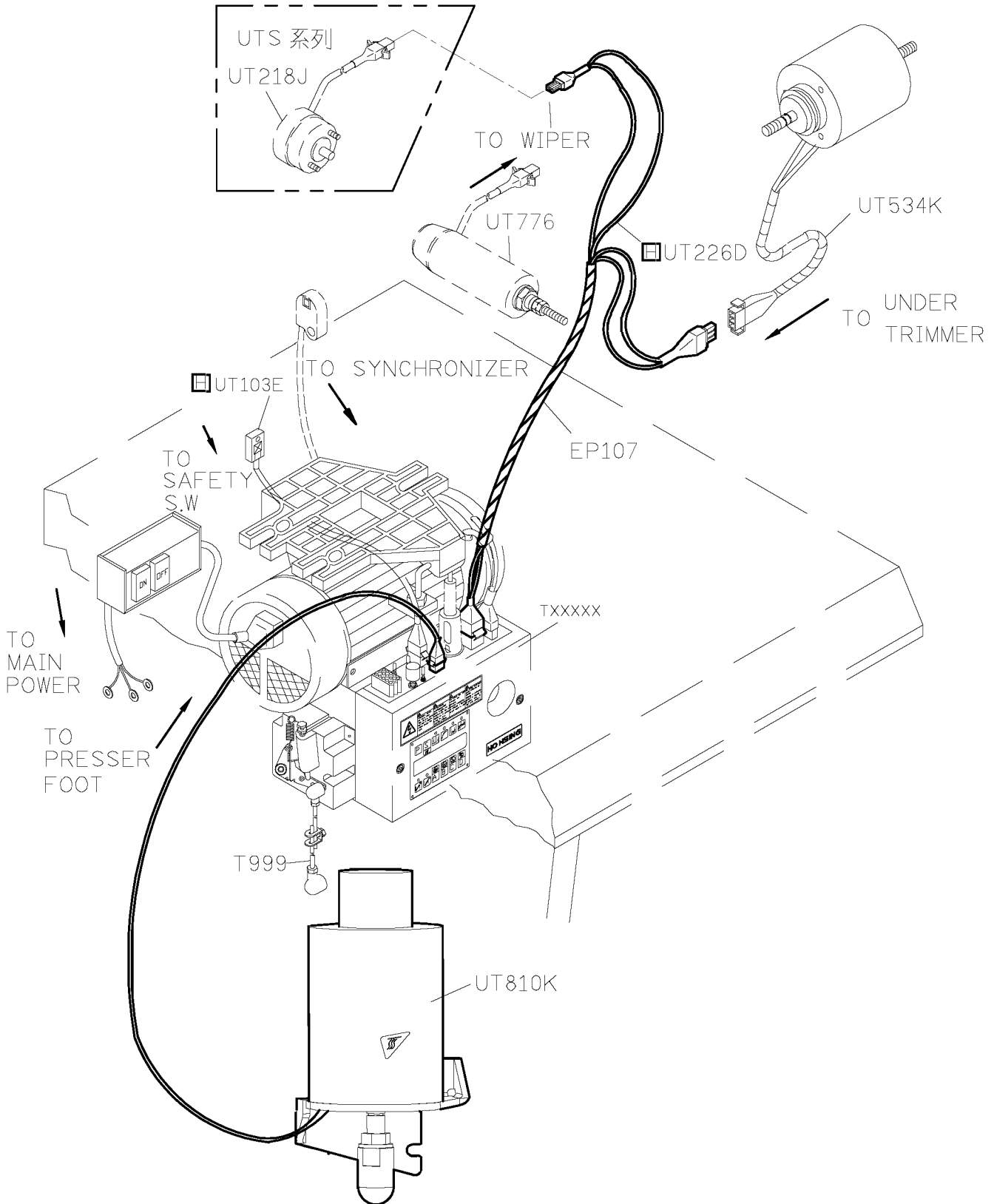
A

B

C

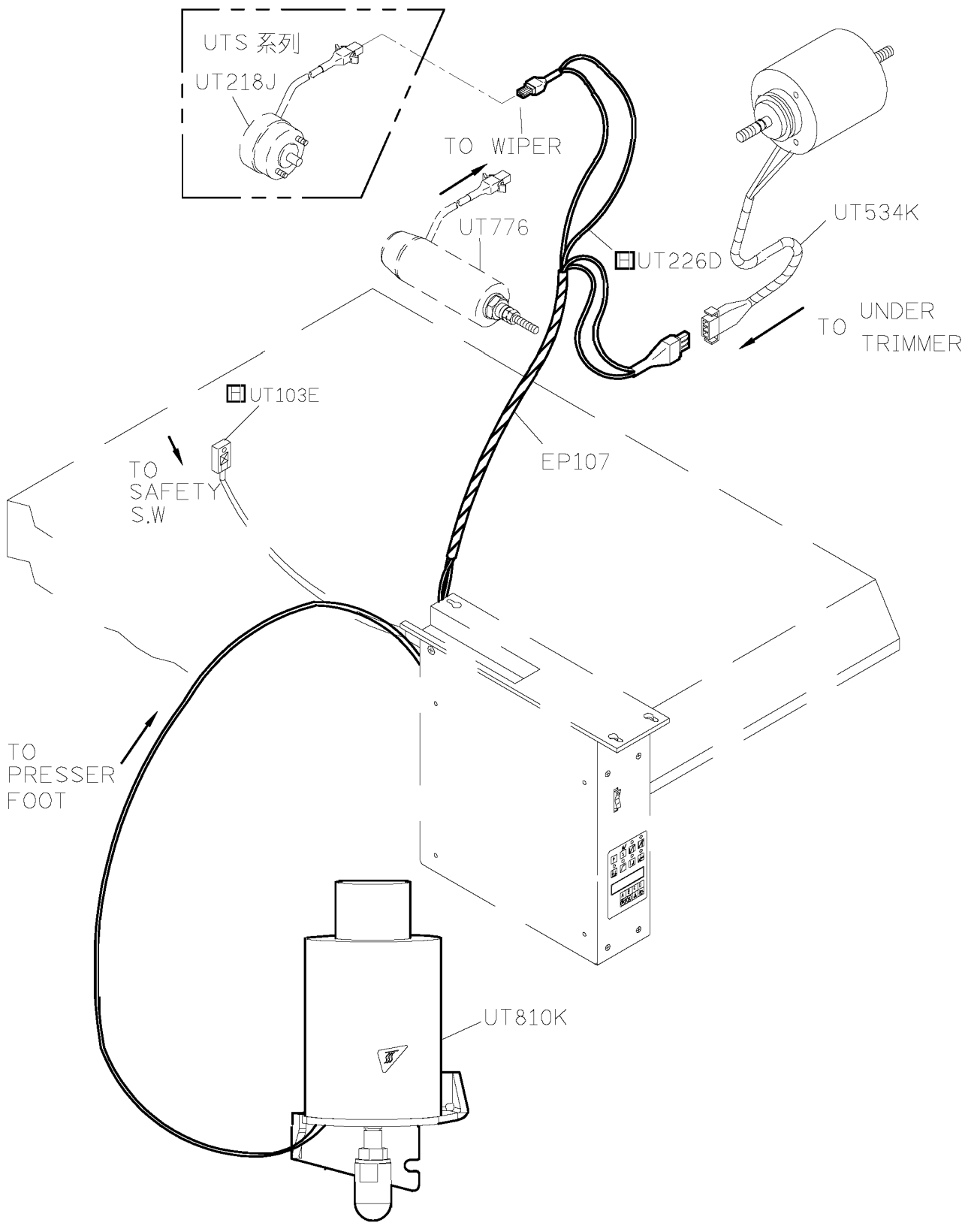
D

E



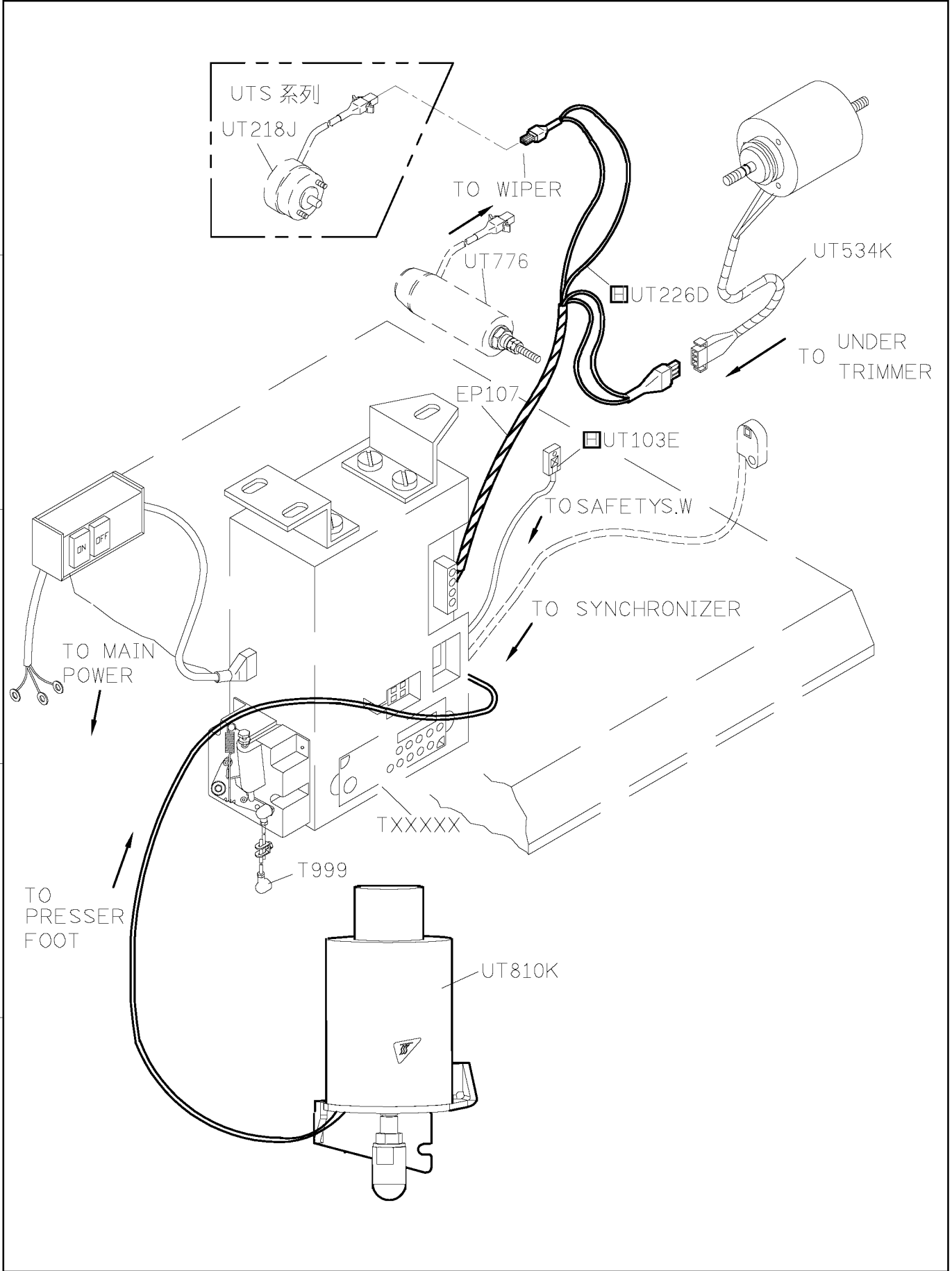
SIRUBA PARTS LIST	Series	Parts Group	Subclass / Remark	Page
	C007K/C007KD C858K/C858KD	UTR(UTS)-K	For C007KD/C858KD	5/11
			<input type="checkbox"/> : Use for H brand motor (HVP-70)	Date
				2012/11/01

A
B
C
D
E



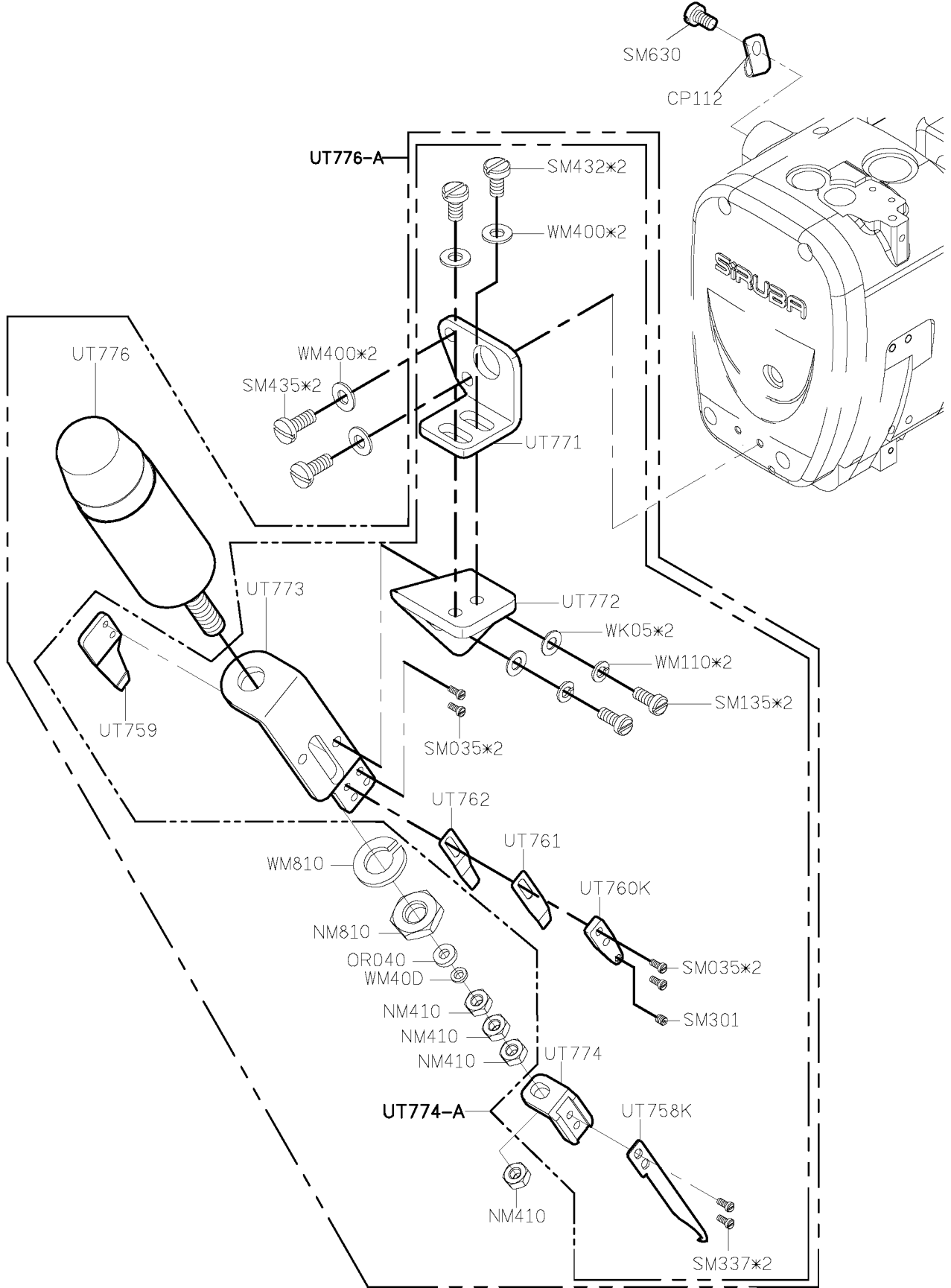
1 2 3 4 5

SIRUBA PARTS LIST	Series	Parts Group	Subclass / Remark	Page
	C007K/C007KD C858K/C858KD	UTR(UTS)-K	For C007KD/C858KD ☐ : Use for H brand motor (HVP-20)	8/11
				Date
				2012/11/01



SIRUBA PARTS LIST	Series	Parts Group	Subclass / Remark	Page
	C007K/C007KD	UTR-K		7/11
	C858K/C858KD			Date
				2012/11/01

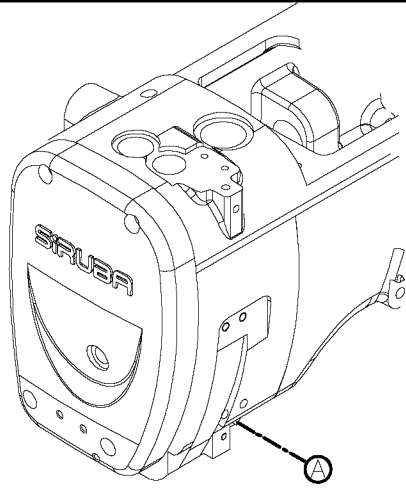
A
B
C
D
E



1 2 3 4 5

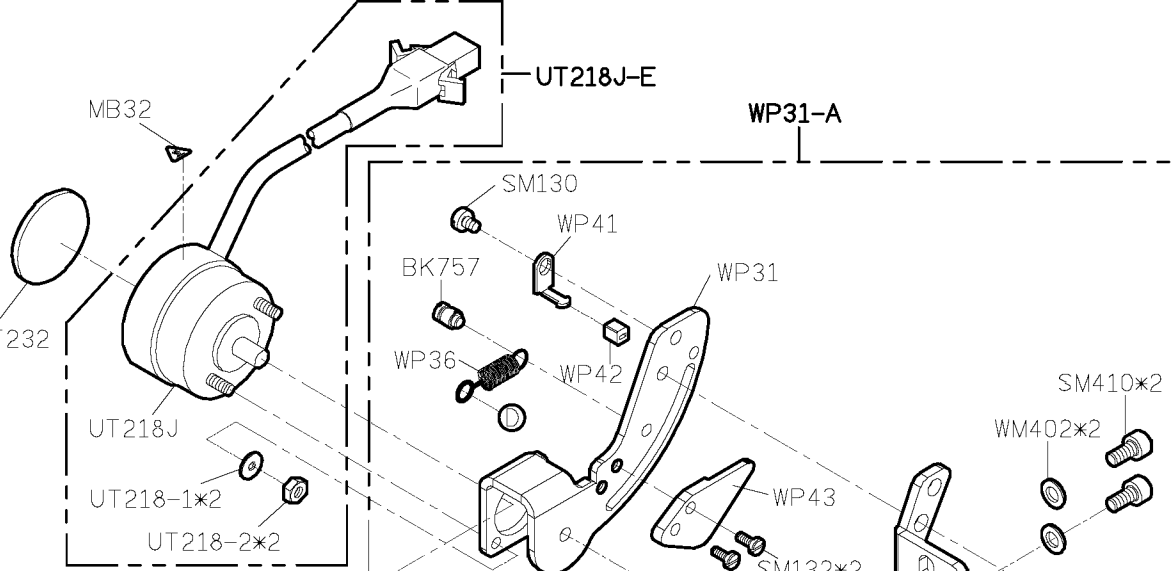
SIRUBA PARTS LIST	Series	Parts Group	Subclass / Remark	Page
	C007K/C007KD	UTS-K		8/11
	C858K/C858KD			Date
				2012/11/01

A



UT218J-A1

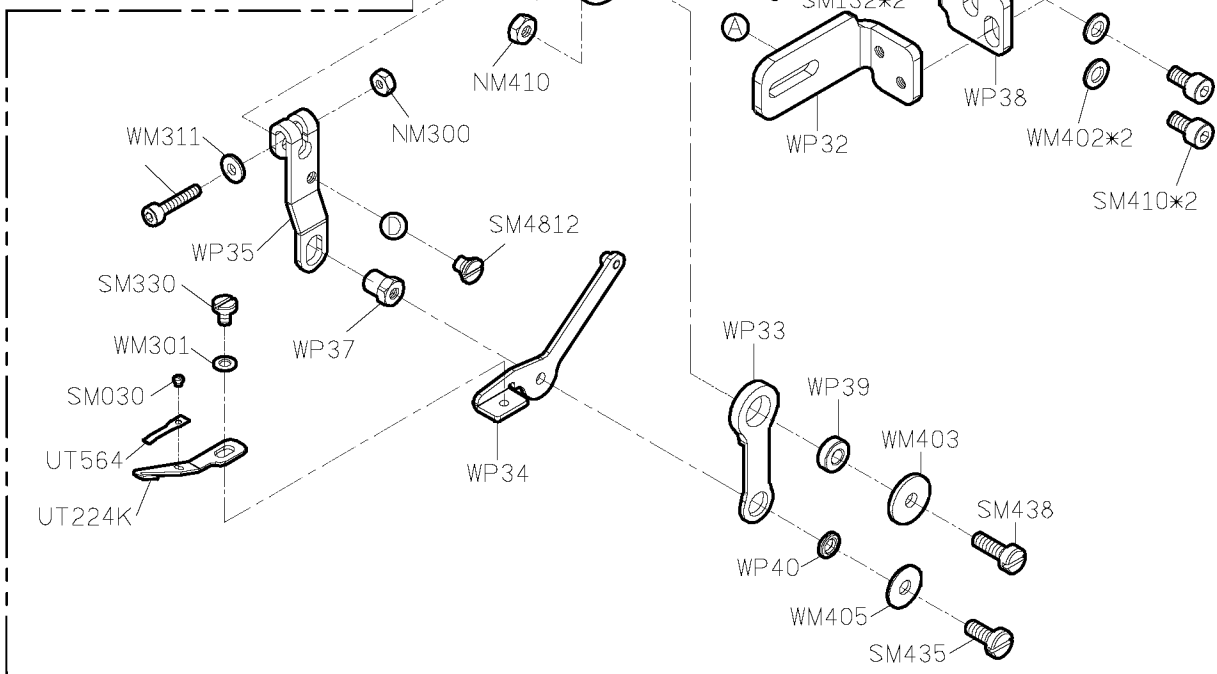
B



C

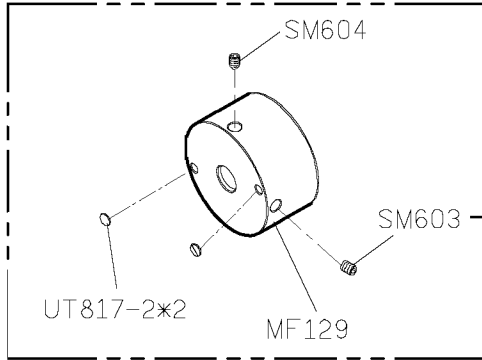
D

E



1 2 3 4 5

SIRUBA PARTS LIST	Series	Parts Group	Subclass / Remark	Page
	C007K/C007KD C858K/C858KD	UTR(UTS)-K	For C007K/C858K ☐ : Use for H brand motor	9/11
				Date
				2012/11/01



UT818J-A

☐ UT815

SM4054

UT816

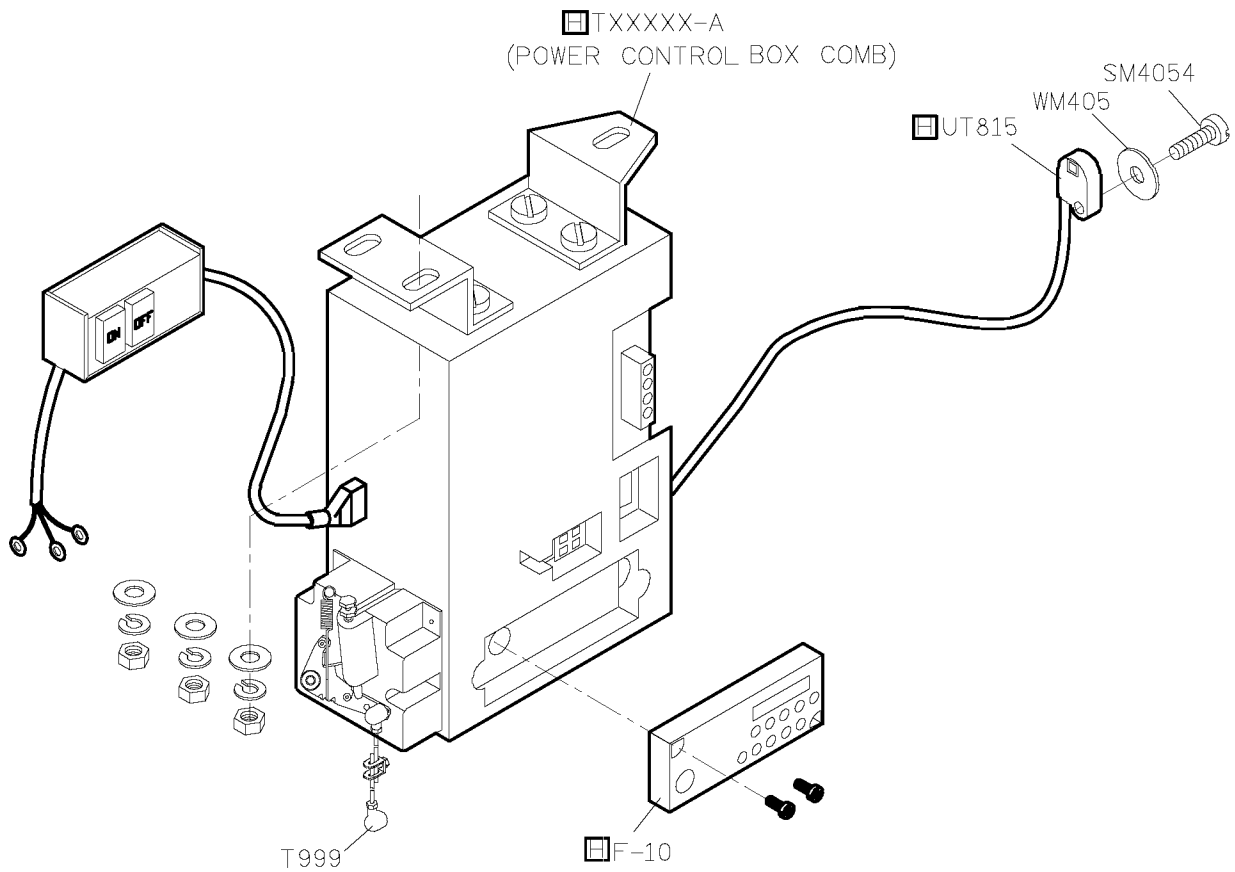
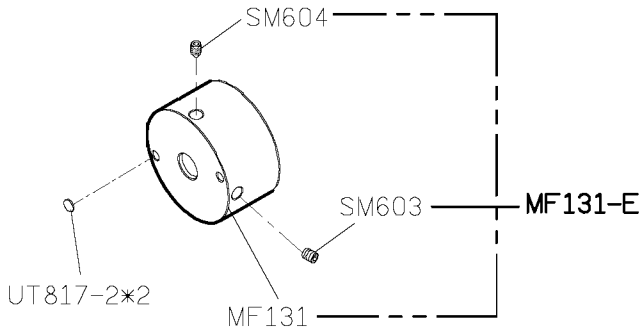
TO SYNCHRONIZER

TO MAIN POWER

TXXXXX

T999

SIRUBA PARTS LIST	Series	Parts Group	Subclass / Remark	Page
	C007K/C007KD C858K/C858KD	UTR(UTS)-K	For C007KD/C858KD	10/11
			☐ : Use for H brand motor (HVP-20)	Date
				2012/11/01



1

2

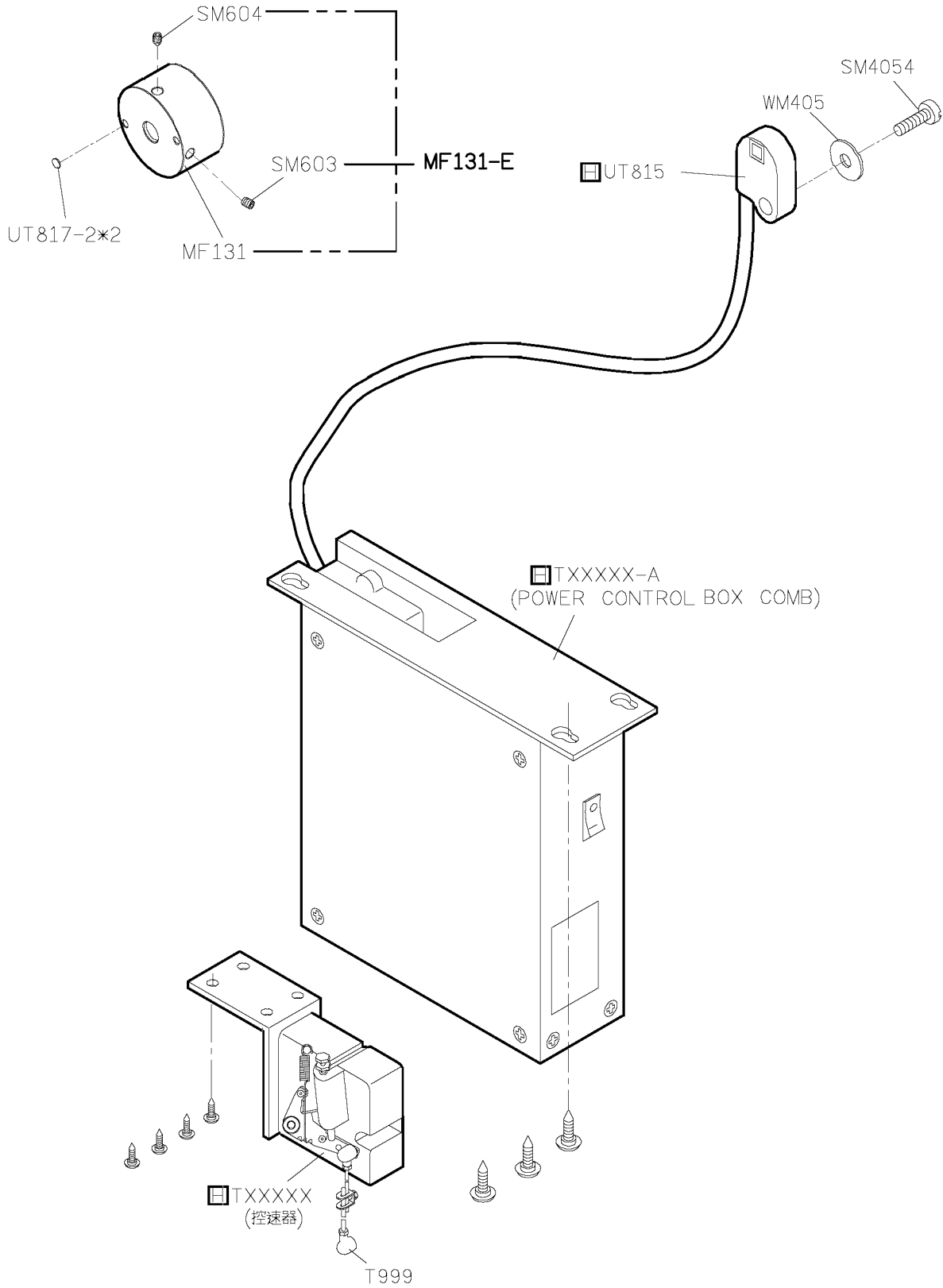
3

4

5

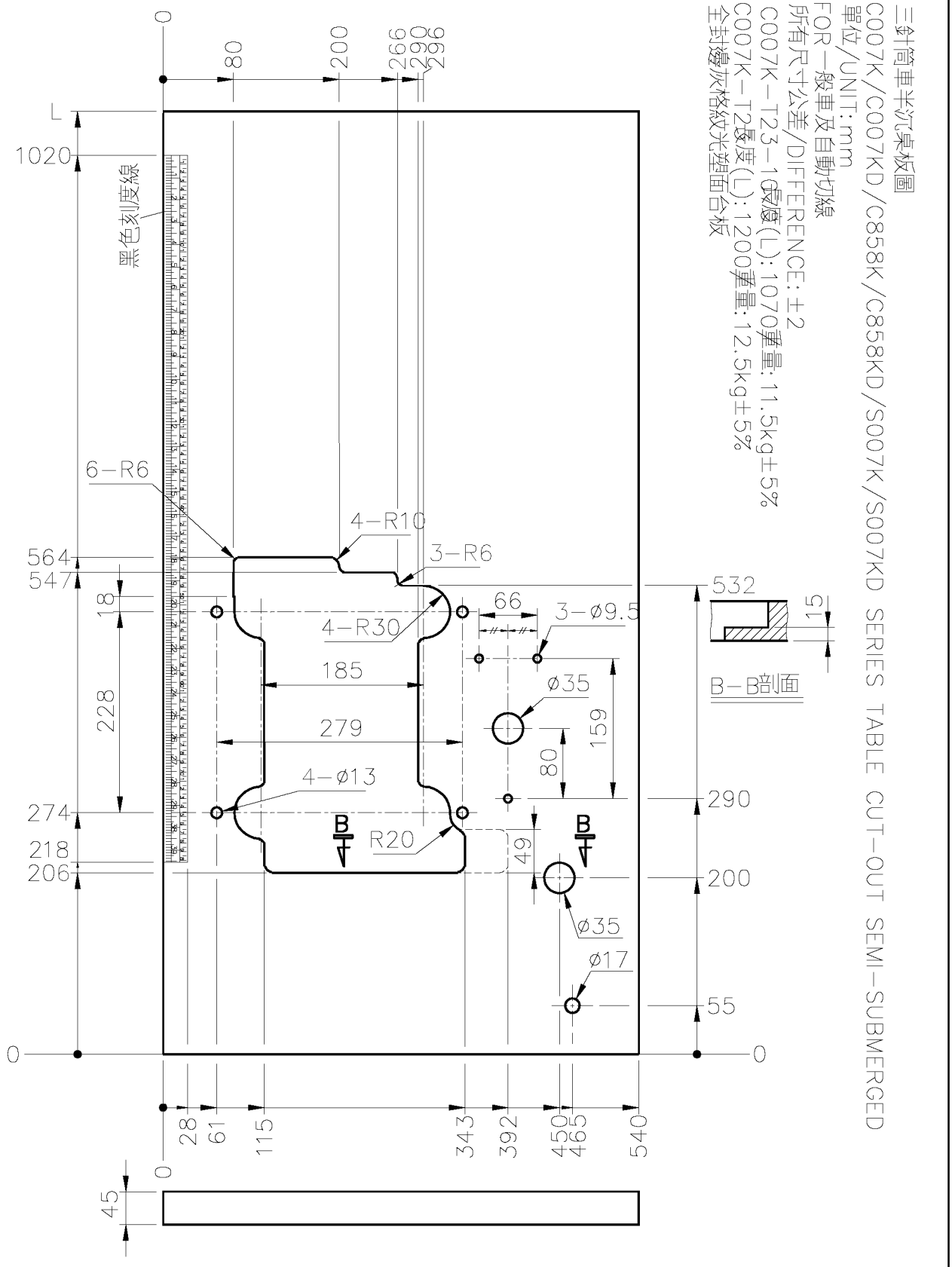
SIRUBA PARTS LIST	Series	Parts Group	Subclass / Remark	Page
	C007K/C007KD C858K/C858KD	UTR(UTS)-K	For C007KD/C858KD	11/11
			☐ : Use for H brand motor (HVP-70)	Date
				2012/11/01

A
B
C
D
E



1 2 3 4 5

SIRUBA TABLE CUT - OUT	Series	Item Code	Subclass / Remark	Mounting
	C007K/C007KD C858K/C858KD S007K/S007KD	C007K-T23	For All Series	Semi-submerged
				Date 2013/01/28



SIRUBA TABLE CUT - OUT	Series	Item Code	Subclass / Remark	Mounting
	C007K/C007KD C858K/C858KD S007K/S007KD	C007K-T25	For All Series excluding ① RLP,RLQ Celastic tape attaching ② CRL Models ③ Condensed stitch(CAR,CMR,SAR,SER...)	Non-submerged
	Date			
				2013/01/26

